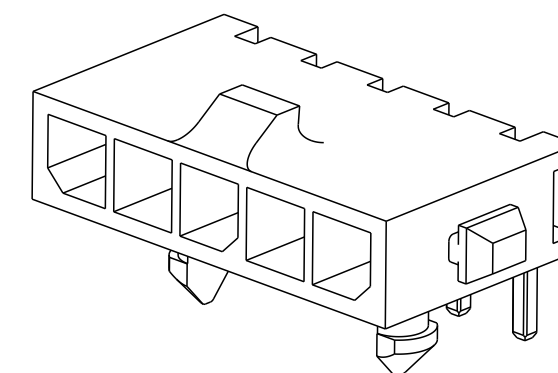
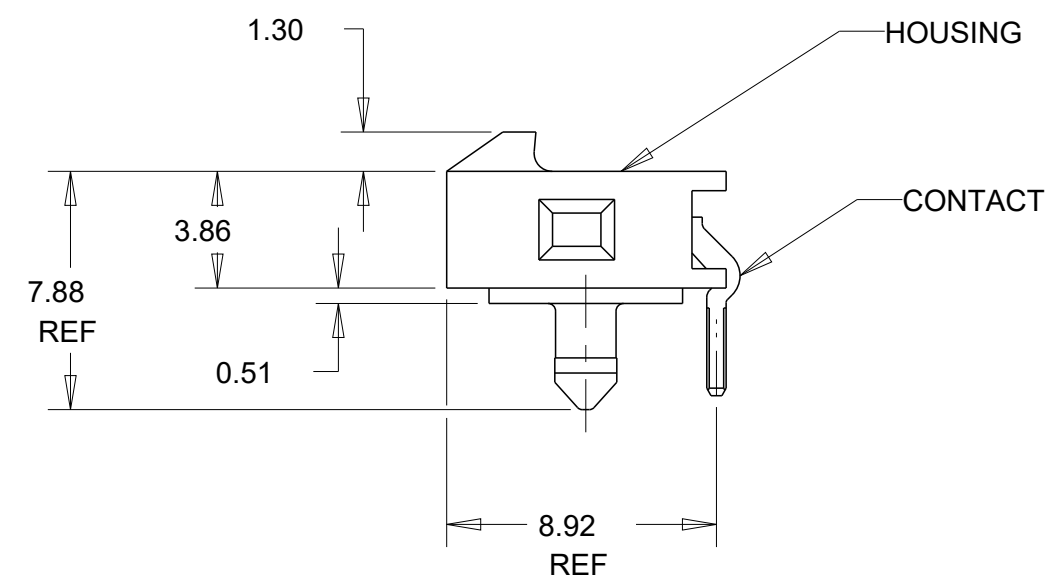
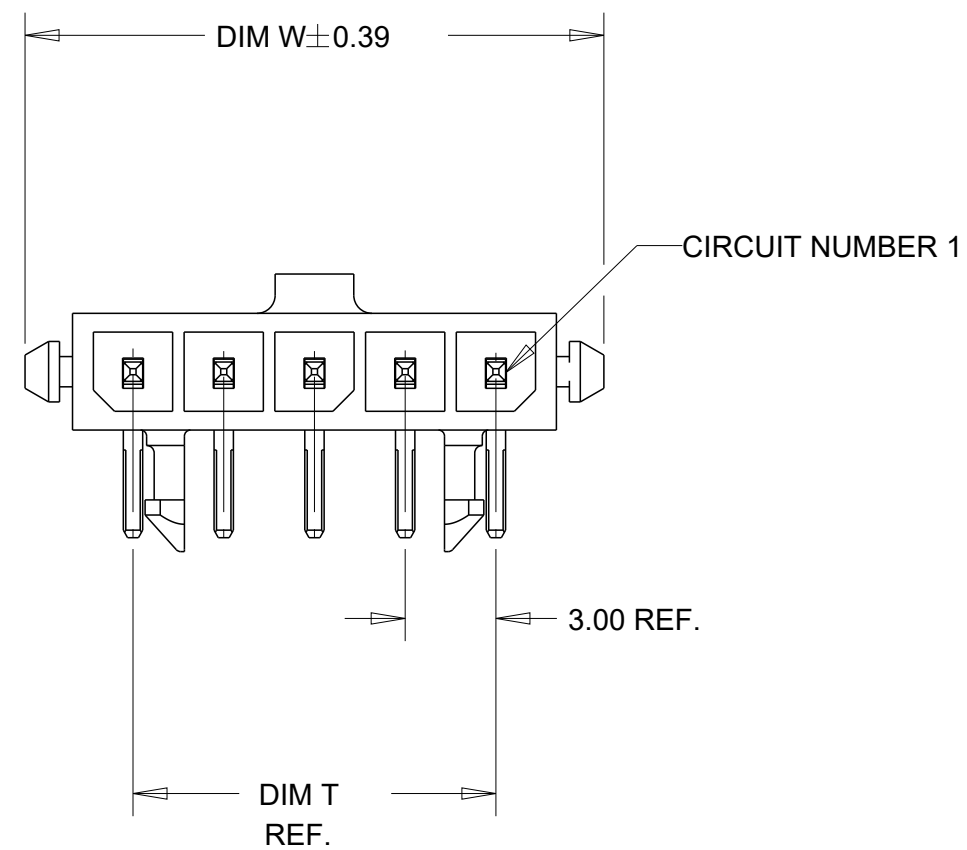


REVISIONS					
P	LTR	DESCRIPTION	DATE	DWN	APVD
B1		REVISED PER ECR-16-011494	20JUN2017	NK	CX
B2		ECO-19-006934	13MAY2019	AP	WS
C		REVISED PER ECN-20-100924	15DEC2020	WLS	VS



1 MATERIAL: HOUSING - UL 94V-O RATED HIGH TEMP., NYLON, COLOR BLACK.
 CONTACTS - BRASS

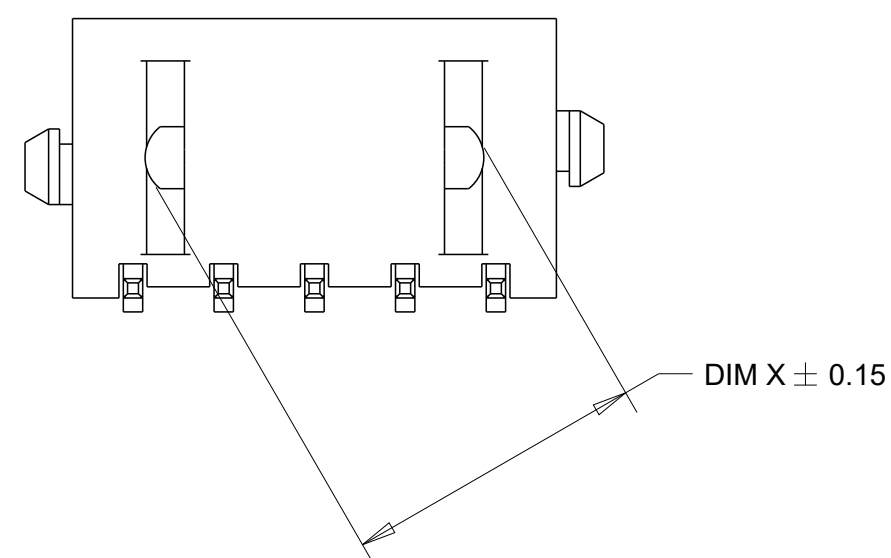
2 RECOMMENDED PC BOARD THICKNESS OF 1.57.

3 PLATING: CONTACTS - 2.54µm MINIMUM MATTE TIN OVER 1.27µm MINIMUM NICKEL.

4 COUNTERPART RECOMENDED IS PN 1445022 (DASH ACCORDING TO NUMBER OF

POSITION).

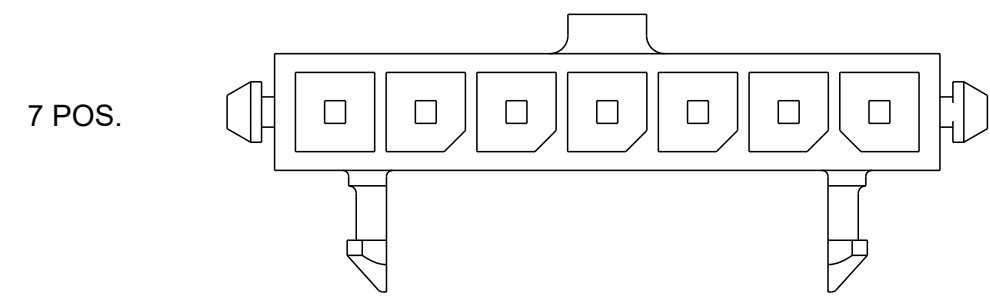
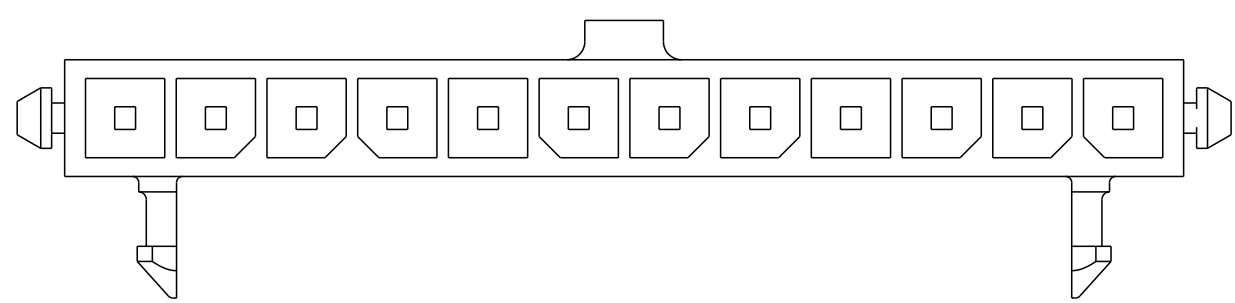
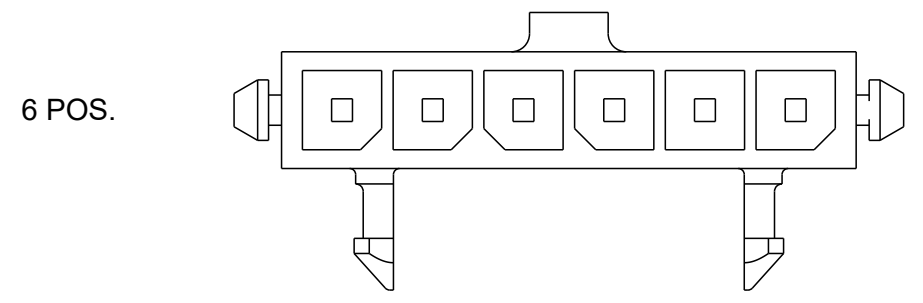
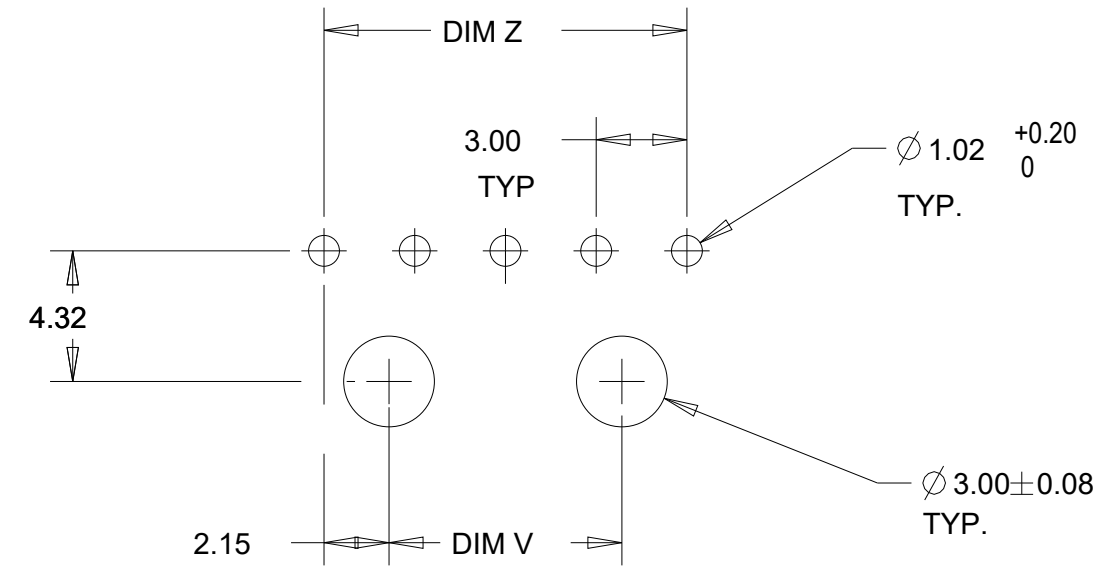
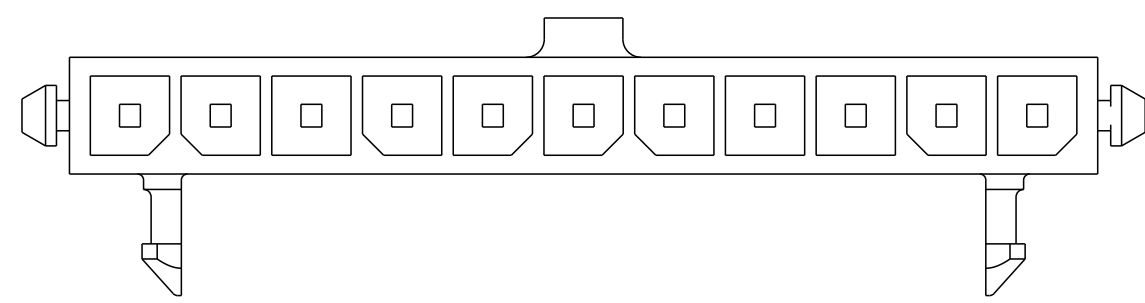
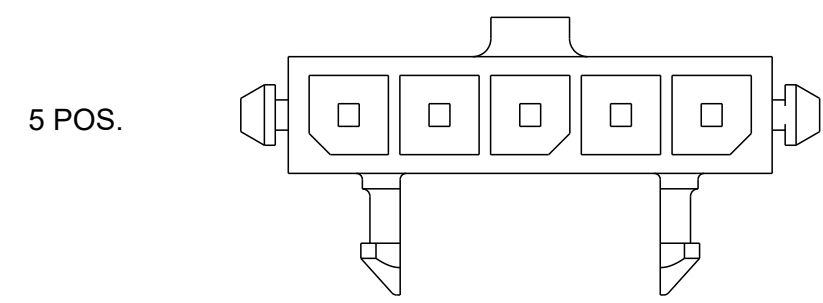
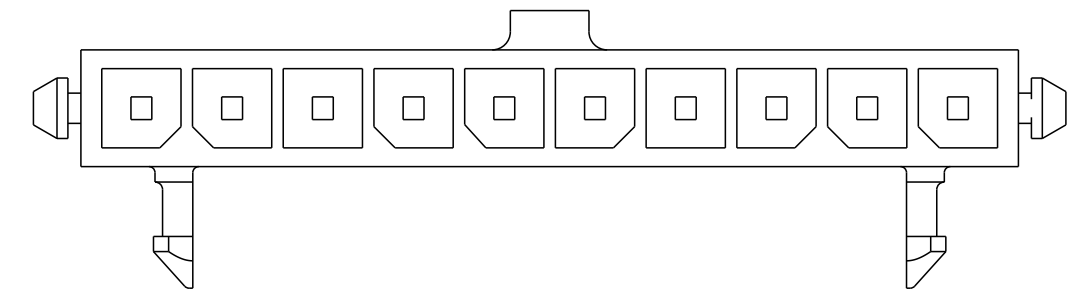
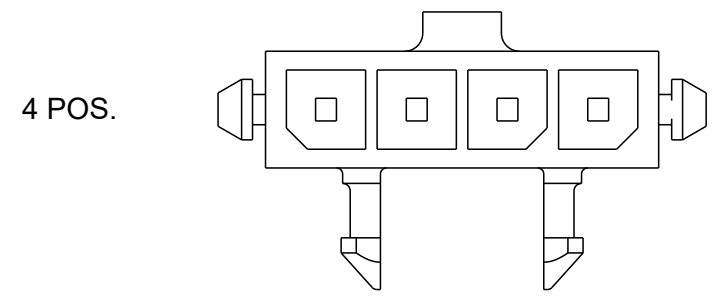
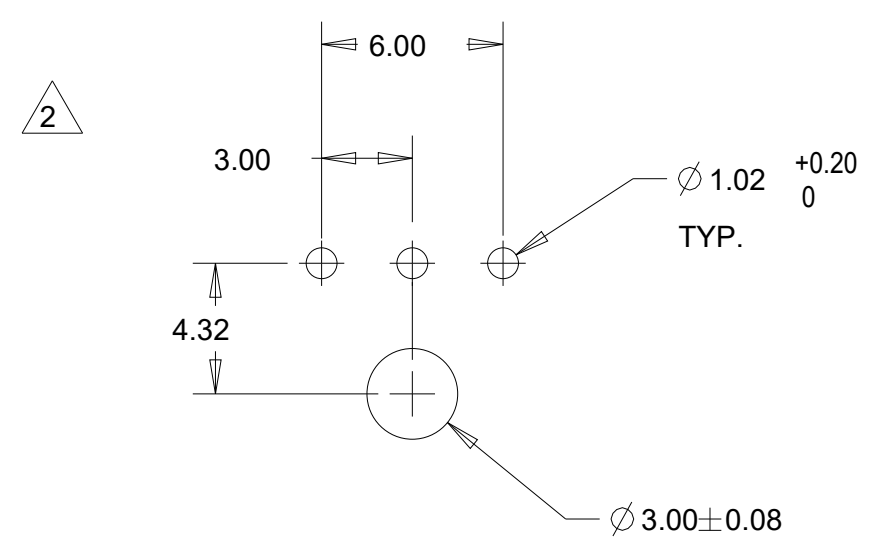
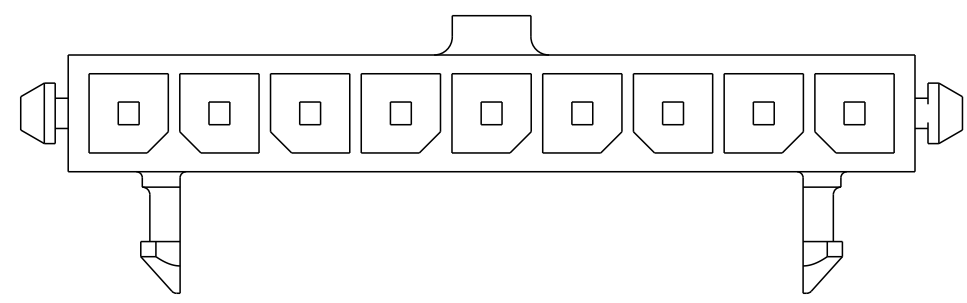
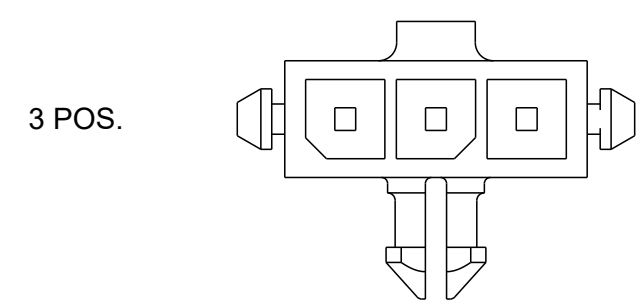
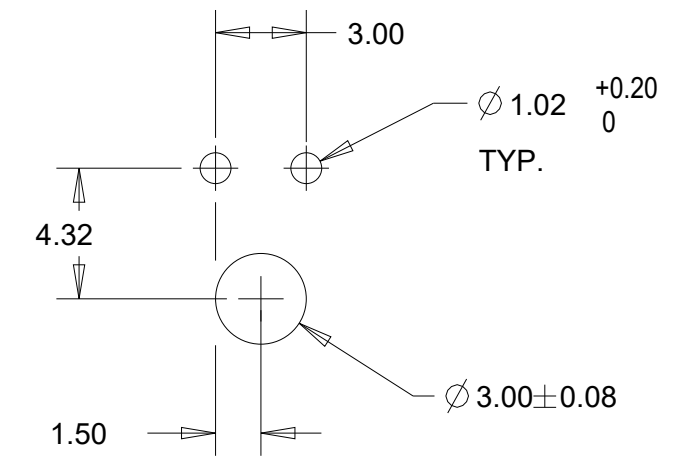
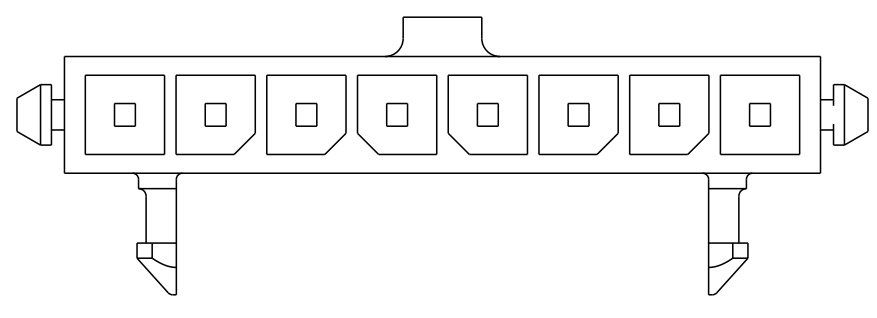
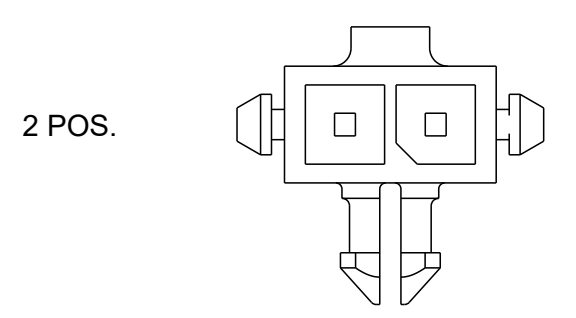
5 FOR REELING DIRECTIONAND PACKAGING TYPE, SEE SPECIFICATION 114-13000.



32.20	33.00	28.70	33.00	40.14	12	3-1445055-2
29.20	30.00	25.70	30.00	37.14	11	3-1445055-1
26.20	27.00	22.70	27.00	34.14	10	3-1445055-0
23.20	24.00	19.70	24.00	31.14	9	2-1445055-9
20.20	21.00	16.70	21.00	28.14	8	2-1445055-8
17.20	18.00	13.70	18.00	25.14	7	2-1445055-7
14.20	15.00	10.70	15.00	22.14	6	2-1445055-6
11.20	12.00	7.70	12.00	19.14	5	2-1445055-5
8.00	9.00	4.70	9.00	16.14	4	2-1445055-4
3.30	-	-	6.00	13.14	3	2-1445055-3
3.30	-	-	3.00	10.14	2	2-1445055-2
DIM X	DIM Z	DIM V	DIM T	DIM W	NO. OF POSN	PART NUMBER

THIS DRAWING IS A CONTROLLED DOCUMENT.		DWN J.ROOT 06OCT2000	TE Connectivity	
DIMENSIONS: mm		CHK K.WHITAKER 13-MAR-2001		
TOLERANCES UNLESS OTHERWISE SPECIFIED:		APVD K.WHITAKER 13-MAR-2001	NAME RIGHT ANGLE THRU HOLEHEADER ASSY, TIN CONTACTS W/PLASTIC HOLDDOWNS, SINGLE ROW, MICRO MATE-N-LOK	
0 PLC ± 1 PLC ± 2 PLC ±0.13 3 PLC ± 4 PLC ± ANGLES ±1° FINISH		PRODUCT SPEC 108-1836	TM	
MATERIAL		APPLICATION SPEC 114-13000	SIZE A2	CAGE CODE 00779
 		WEIGHT -	DRAWING NO C-1445055	RESTRICTED TO -
CUSTOMER DRAWING			SCALE 4:1	SHEET 1 OF 2
			REV C	

REVISIONS					
P	LTR	DESCRIPTION	DATE	DWN	APVD
-	-	SEE SHEET 1	-	-	-



KEYING POSITION BI SIZE

THIS DRAWING IS A CONTROLLED DOCUMENT.		DWN J.ROOT 06OCT2000	TE Connectivity		
DIMENSIONS: mm		CHK K.WHITAKER 13-MAR-2001			
TOLERANCES UNLESS OTHERWISE SPECIFIED:		APVD K.WHITAKER 13-MAR-2001	NAME RIGHT ANGLE THRU HOLEHEADER ASSY, TIN CONTACTS W/PLASTIC HOLDDOWNS, SINGLE ROW, MICRO MATE-N-LOK TM		
0 PLC ± 1 PLC ± 2 PLC ±0.13 3 PLC ± 4 PLC ±		PRODUCT SPEC -	SIZE A2	CAGE CODE 00779	DRAWING NO 1445055
ANGLES ±1° FINISH		APPLICATION SPEC -	RESTRICTED TO -	SCALE 5:1	SHEET 2 OF 2
MATERIAL -		WEIGHT -	CUSTOMER DRAWING	REV C	

Mouser Electronics

Authorized Distributor

Click to View Pricing, Inventory, Delivery & Lifecycle Information:

[TE Connectivity:](#)

[1-1445055-2](#)