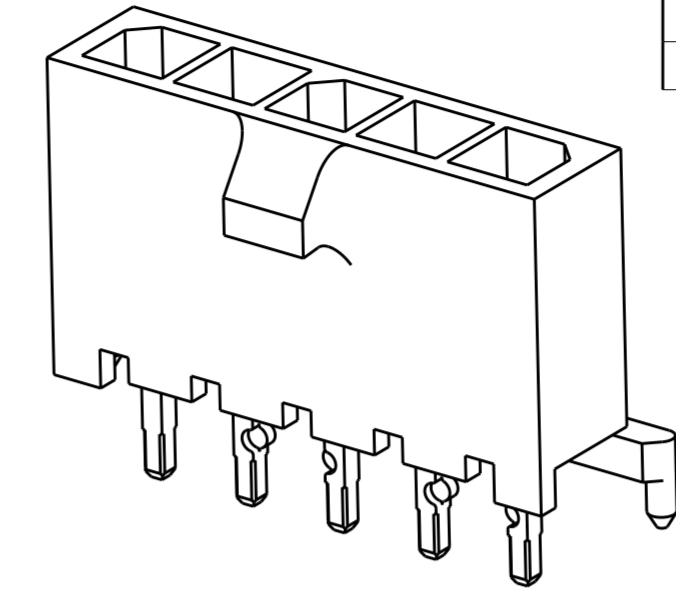
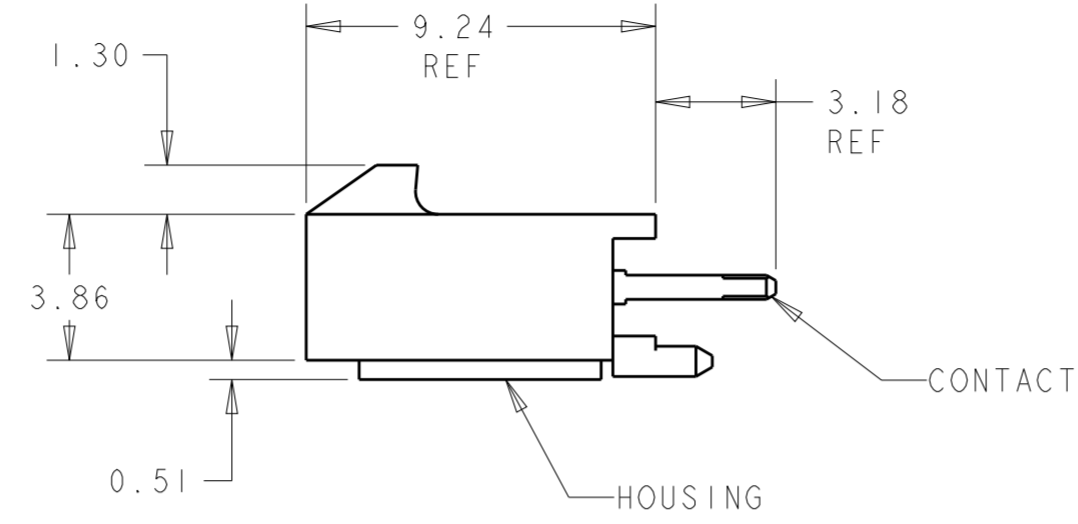
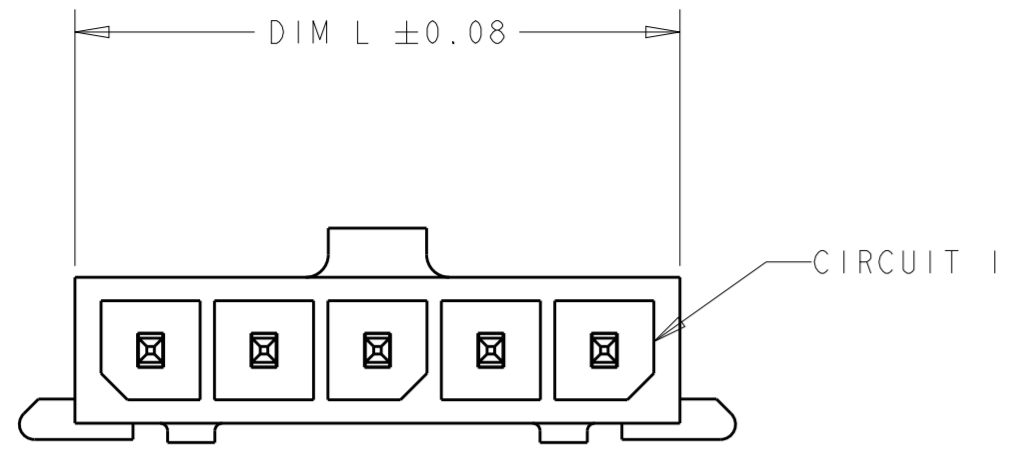
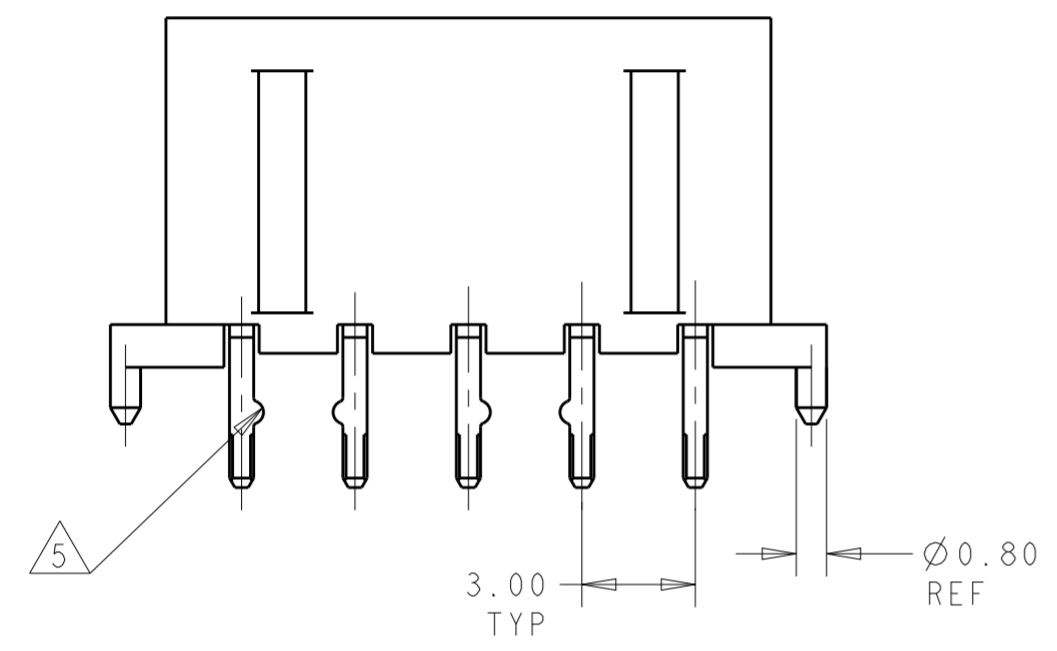


THIS DRAWING IS UNPUBLISHED. RELEASED FOR PUBLICATION 20
 © COPYRIGHT 20 BY - ALL RIGHTS RESERVED.

| REVISIONS | | | | |
|-----------|-----|---------------------------|-----------|-------|
| P | LTR | DESCRIPTION | DATE | APVD |
| B5 | | REVISED PER ECR-16-011494 | 20JUN2017 | NK CX |
| B6 | | ECO-19-006934 | 13MAY2019 | AP WS |

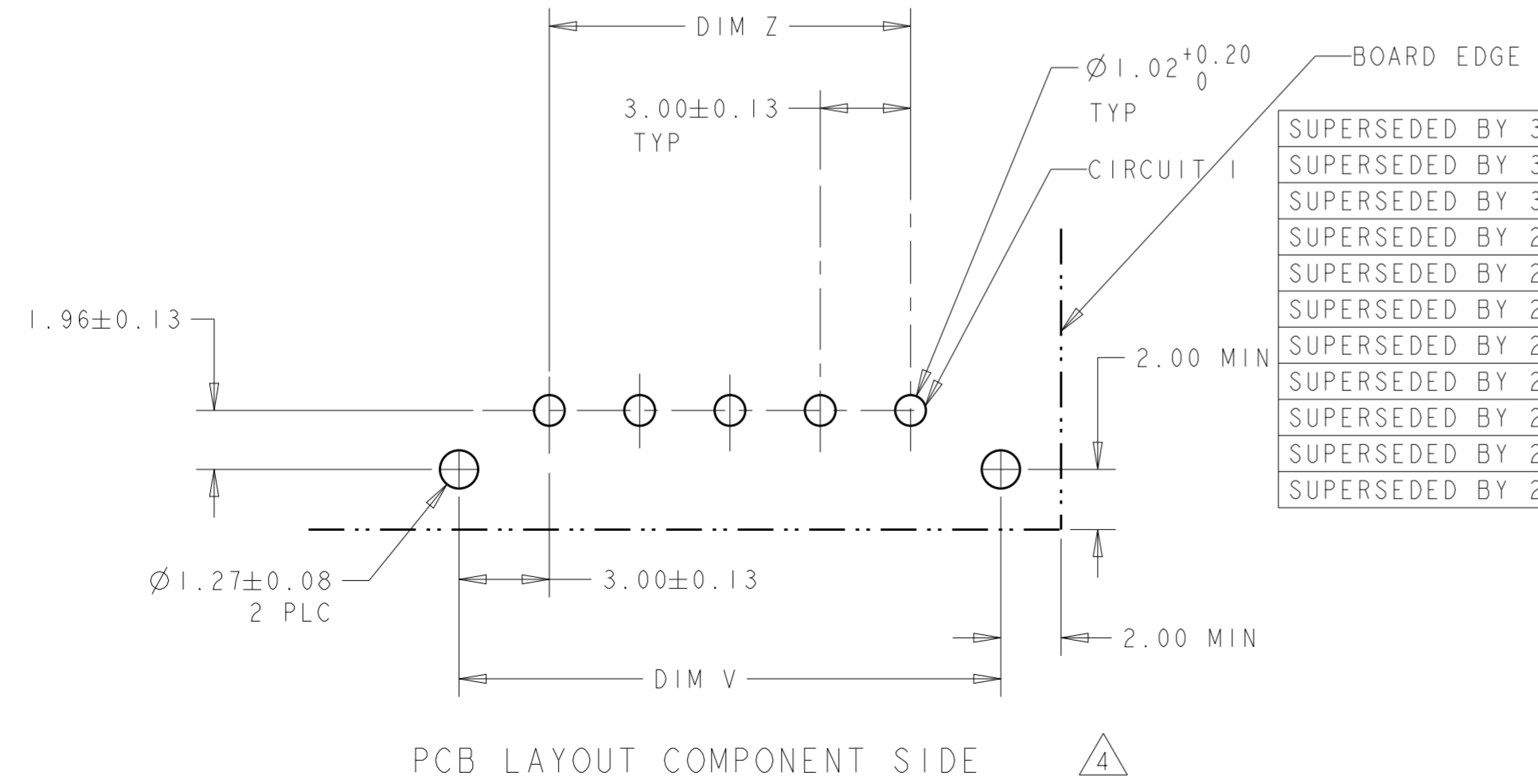


- 1 MATERIAL: CONTACTS - BRASS
HOUSING - UL 94V-0 RATED HIGH TEMP NYLON, COLOR BLACK.
- 2 PLATING: CONTACTS - 2.54µm MINIMUM TIN-LEAD OVER 1.27µm MINIMUM NICKEL.
- 4 RECOMMENDED PC BOARD THICKNESS OF 1.57.
- 5 RETENTION BUMP FEATURES FACE EACH OTHER, TYPICAL ALL CONFIGURATIONS.
- 6 PLATING: CONTACTS - 2.54µm MINIMUM MATTE TIN OVER 1.27µm MINIMUM NICKEL.
- 7 SELECTIVE LOADED CONFIGURATION.



| 7 | |
|--------------|-------------|
| 1, 4, 7, 10 | 4-1445050-0 |
| PIN INSERTED | PART NUMBER |

| 7 | 6 | 1, 4, 7, 10 | 27.00 | 33.14 | 31.00 | 10 | 4-1445050-0 |
|--------|--------------------|--------------|-------|-------|-------|-------------|-------------|
| 6 | 6 | 1, 2, 11, 12 | 33.00 | 39.14 | 37.00 | 12 | 3-1445050-2 |
| 6 | 6 | 1, 2, 9, 10 | 30.00 | 36.14 | 34.00 | 11 | 3-1445050-1 |
| 6 | 6 | 1, 2, 9, 10 | 27.00 | 33.14 | 31.00 | 10 | 3-1445050-0 |
| 6 | 6 | 1, 2, 7, 8 | 24.00 | 30.14 | 28.00 | 9 | 2-1445050-9 |
| 6 | 6 | 1, 2, 7, 8 | 21.00 | 27.14 | 25.00 | 8 | 2-1445050-8 |
| 6 | 6 | 1, 2, 5, 6 | 18.00 | 24.14 | 22.00 | 7 | 2-1445050-7 |
| 6 | 6 | 1, 2, 5, 6 | 15.00 | 21.14 | 19.00 | 6 | 2-1445050-6 |
| 6 | 6 | 1, 2, 3, 4 | 12.00 | 18.14 | 16.00 | 5 | 2-1445050-5 |
| 6 | 6 | 1, 2, 3, 4 | 9.00 | 15.14 | 13.00 | 4 | 2-1445050-4 |
| 6 | 6 | 1, 2 | 6.00 | 12.14 | 10.00 | 3 | 2-1445050-3 |
| 6 | 6 | 1, 2 | 3.00 | 9.14 | 7.00 | 2 | 2-1445050-2 |
| 2 | 2 | 1, 2, 11, 12 | 33.00 | 39.14 | 37.00 | 12 | +1445050-2 |
| 2 | 2 | 1, 2, 9, 10 | 30.00 | 36.14 | 34.00 | 11 | +1445050-1 |
| 2 | 2 | 1, 2, 9, 10 | 27.00 | 33.14 | 31.00 | 10 | +1445050-0 |
| 2 | 2 | 1, 2, 7, 8 | 24.00 | 30.14 | 28.00 | 9 | +445050-9 |
| 2 | 2 | 1, 2, 7, 8 | 21.00 | 27.14 | 25.00 | 8 | +445050-8 |
| 2 | 2 | 1, 2, 5, 6 | 18.00 | 24.14 | 22.00 | 7 | +445050-7 |
| 2 | 2 | 1, 2, 5, 6 | 15.00 | 21.14 | 19.00 | 6 | +445050-6 |
| 2 | 2 | 1, 2, 3, 4 | 12.00 | 18.14 | 16.00 | 5 | +445050-5 |
| 2 | 2 | 1, 2, 3, 4 | 9.00 | 15.14 | 13.00 | 4 | +445050-4 |
| 2 | 2 | 1, 2 | 6.00 | 12.14 | 10.00 | 3 | +445050-3 |
| 2 | 2 | 1, 2 | 3.00 | 9.14 | 7.00 | 2 | +445050-2 |
| FINISH | CON POS W/RET BUMP | 5 | DIM Z | DIM V | DIM L | NO. OF POSN | PART NUMBER |



| |
|---------------------------|
| SUPERSEDED BY 3-1445050-2 |
| SUPERSEDED BY 3-1445050-1 |
| SUPERSEDED BY 3-1445050-0 |
| SUPERSEDED BY 2-1445050-9 |
| SUPERSEDED BY 2-1445050-8 |
| SUPERSEDED BY 2-1445050-7 |
| SUPERSEDED BY 2-1445050-6 |
| SUPERSEDED BY 2-1445050-5 |
| SUPERSEDED BY 2-1445050-4 |
| SUPERSEDED BY 2-1445050-3 |
| SUPERSEDED BY 2-1445050-2 |

THIS DRAWING IS A CONTROLLED DOCUMENT.

DWN J. ROOT 08OCT2000
 CHK K. WHITAKER 19OCT2000
 APVD K. WHITAKER 12-MAR-2001

PRODUCT SPEC 108-1836
 APPLICATION SPEC 114-13000

NAME VERTICAL THRU HOLE HEADER ASSY, TIN CONTACTS W/PCB POLARIZATION FEATURE, SINGLE ROW, MICRO MATE-N-LOK™

SIZE A2 CAGE CODE 00779 DRAWING NO. C-1445050 RESTRICTED TO

MATERIAL SEE TABLE

CUSTOMER DRAWING SCALE 5:1 SHEET 1 OF 1 REV B6

Mouser Electronics

Authorized Distributor

Click to View Pricing, Inventory, Delivery & Lifecycle Information:

[TE Connectivity:](#)

[1445050-8](#)