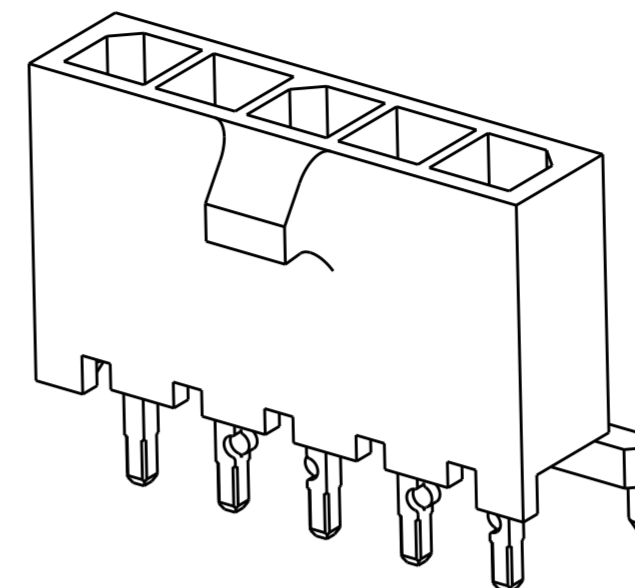
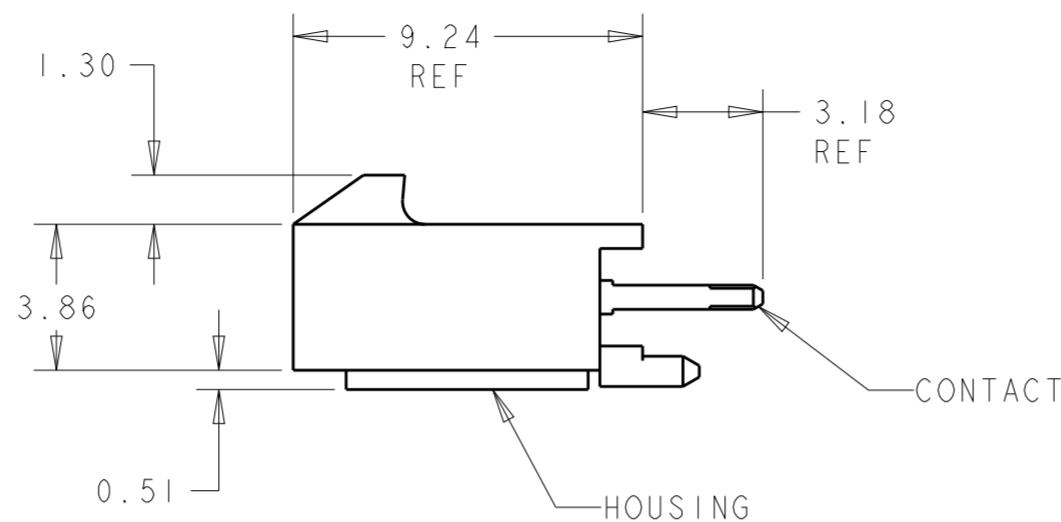
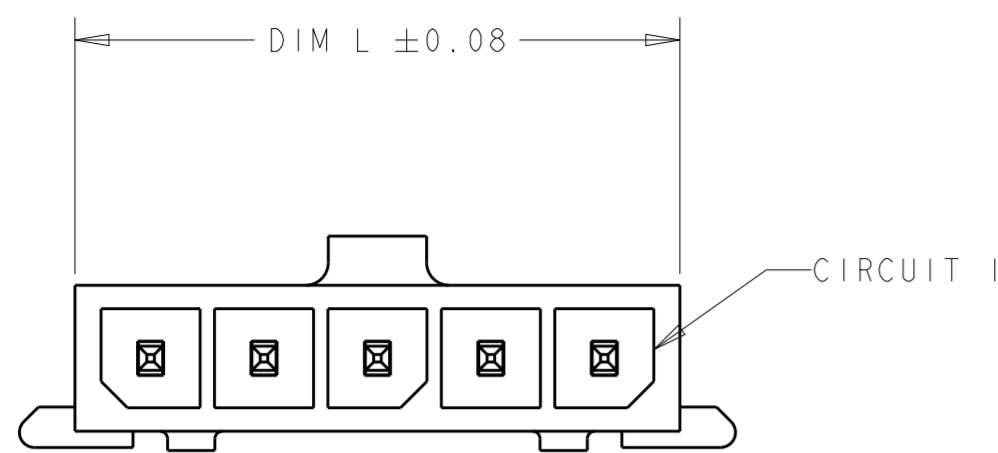
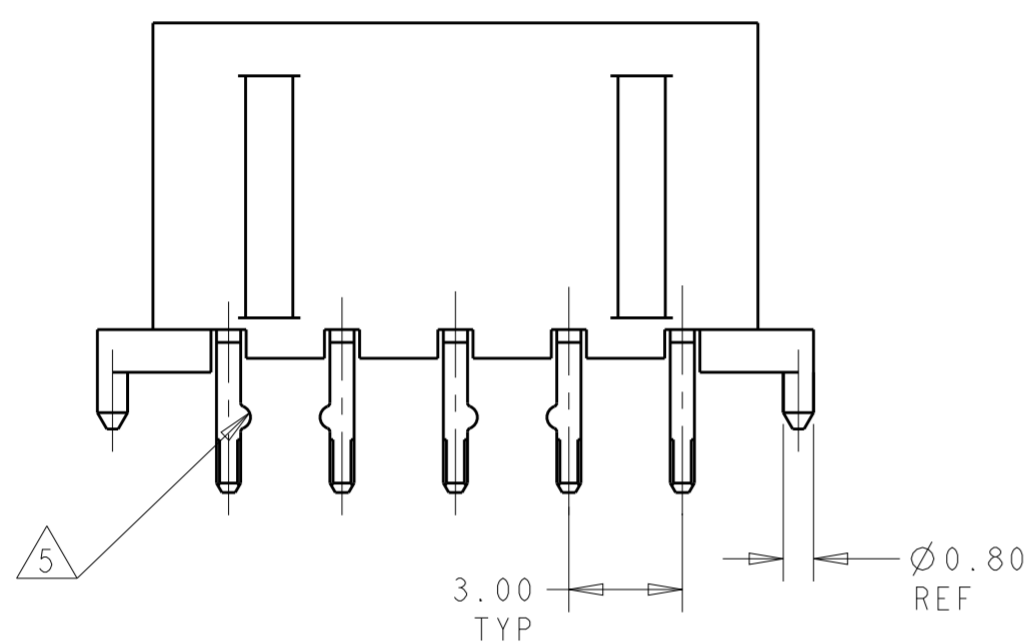


THIS DRAWING IS UNPUBLISHED. RELEASED FOR PUBLICATION 20
 © COPYRIGHT 20 BY - ALL RIGHTS RESERVED.

REVISIONS					
P	LTR	DESCRIPTION	DATE	DWN	APVD
B5		REVISED PER ECR-16-011494	20JUN2017	NK	CX
B6		ECO-19-006934	13MAY2019	AP	WS

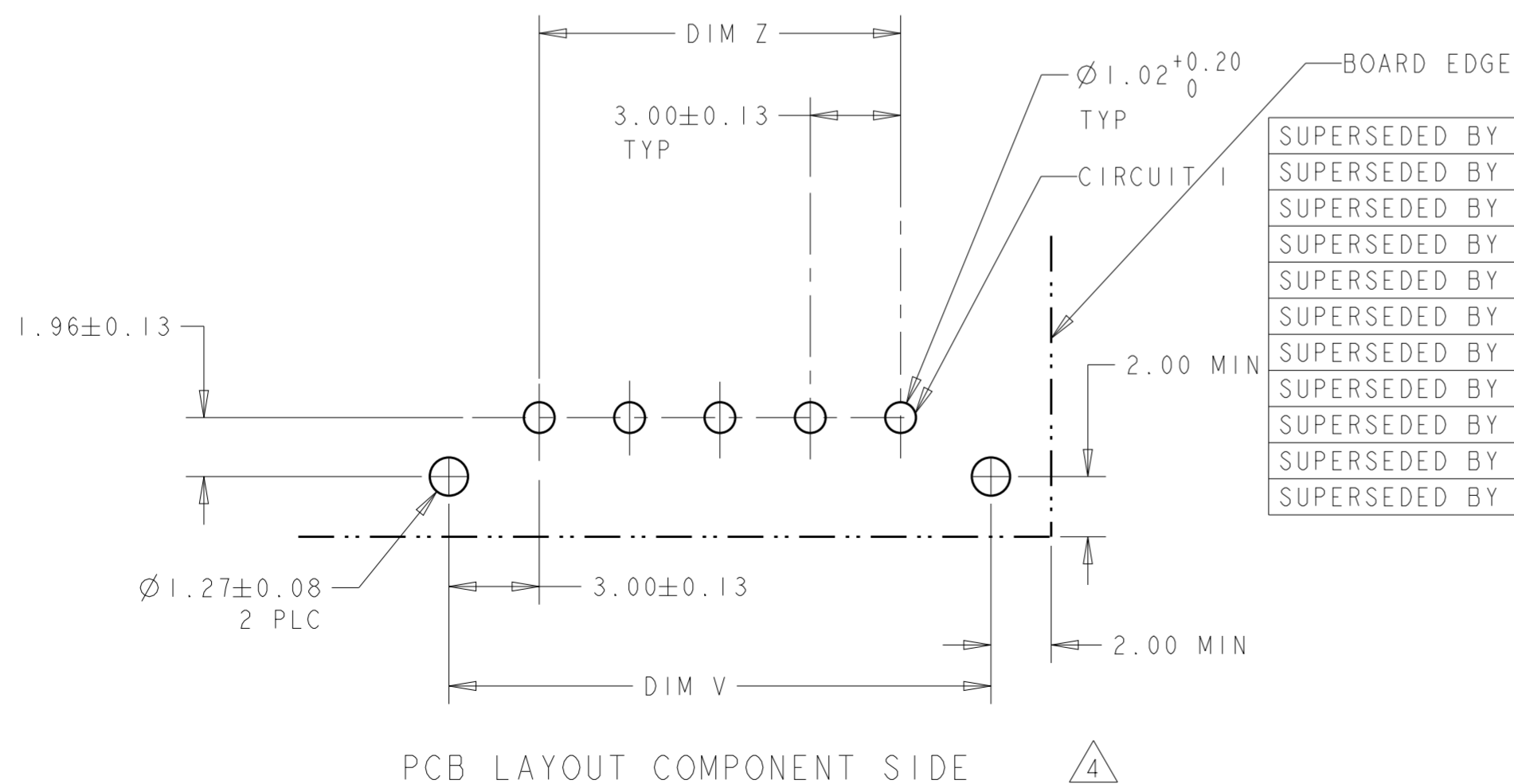


- 1 MATERIAL: CONTACTS - BRASS
HOUSING - UL 94V-0 RATED HIGH TEMP NYLON, COLOR BLACK.
- 2 PLATING: CONTACTS - 2.54µm MINIMUM TIN-LEAD OVER 1.27µm MINIMUM NICKEL.
- 4 RECOMMENDED PC BOARD THICKNESS OF 1.57.
- 5 RETENTION BUMP FEATURES FACE EACH OTHER, TYPICAL ALL CONFIGURATIONS.
- 6 PLATING: CONTACTS - 2.54µm MINIMUM MATTE TIN OVER 1.27µm MINIMUM NICKEL.
- 7 SELECTIVE LOADED CONFIGURATION.



1	4	7	10
1, 4, 7, 10		4-1445050-0	
PIN INSERTED		PART NUMBER	

FINISH	CON POS W/RET BUMP	DIM Z	DIM V	DIM L	NO. OF POSN	PART NUMBER
6	1, 4, 7, 10	27.00	33.14	31.00	10	4-1445050-0
6	1, 2, 11, 12	33.00	39.14	37.00	12	3-1445050-2
6	1, 2, 9, 10	30.00	36.14	34.00	11	3-1445050-1
6	1, 2, 9, 10	27.00	33.14	31.00	10	3-1445050-0
6	1, 2, 7, 8	24.00	30.14	28.00	9	2-1445050-9
6	1, 2, 7, 8	21.00	27.14	25.00	8	2-1445050-8
6	1, 2, 5, 6	18.00	24.14	22.00	7	2-1445050-7
6	1, 2, 5, 6	15.00	21.14	19.00	6	2-1445050-6
6	1, 2, 3, 4	12.00	18.14	16.00	5	2-1445050-5
6	1, 2, 3, 4	9.00	15.14	13.00	4	2-1445050-4
6	1, 2	6.00	12.14	10.00	3	2-1445050-3
6	1, 2	3.00	9.14	7.00	2	2-1445050-2
2	1, 2, 11, 12	33.00	39.14	37.00	12	+1445050-2
2	1, 2, 9, 10	30.00	36.14	34.00	11	+1445050-1
2	1, 2, 9, 10	27.00	33.14	31.00	10	+1445050-0
2	1, 2, 7, 8	24.00	30.14	28.00	9	+445050-9
2	1, 2, 7, 8	21.00	27.14	25.00	8	+445050-8
2	1, 2, 5, 6	18.00	24.14	22.00	7	+445050-7
2	1, 2, 5, 6	15.00	21.14	19.00	6	+445050-6
2	1, 2, 3, 4	12.00	18.14	16.00	5	+445050-5
2	1, 2, 3, 4	9.00	15.14	13.00	4	+445050-4
2	1, 2	6.00	12.14	10.00	3	+445050-3
2	1, 2	3.00	9.14	7.00	2	+445050-2



SUPERSEDED BY 3-1445050-2
SUPERSEDED BY 3-1445050-1
SUPERSEDED BY 3-1445050-0
SUPERSEDED BY 2-1445050-9
SUPERSEDED BY 2-1445050-8
SUPERSEDED BY 2-1445050-7
SUPERSEDED BY 2-1445050-6
SUPERSEDED BY 2-1445050-5
SUPERSEDED BY 2-1445050-4
SUPERSEDED BY 2-1445050-3
SUPERSEDED BY 2-1445050-2

THIS DRAWING IS A CONTROLLED DOCUMENT.

DIMENSIONS: mm	TOLERANCES UNLESS OTHERWISE SPECIFIED: 0 PLC ± 1 PLC ± 2 PLC ±0.20 3 PLC ± 4 PLC ± ANGLES ± FINISH	DWN J. ROOT 08OCT2000 CHK K. WHITAKER 19OCT2000 APVD K. WHITAKER 12-MAR-2001	TE Connectivity	
MATERIAL 1	SEE TABLE	PRODUCT SPEC 108-1836 APPLICATION SPEC 114-13000 WEIGHT -	NAME VERTICAL THRU HOLE HEADER ASSY, TIN CONTACTS W/PCB POLARIZATION FEATURE, SINGLE ROW, MICRO MATE-N-LOK TM SIZE A2 CAGE CODE G-1445050 DRAWING NO. 114-13000 RESTRICTED TO	
CUSTOMER DRAWING			SCALE 5:1	SHEET 1 OF 1 REV B6

Mouser Electronics

Authorized Distributor

Click to View Pricing, Inventory, Delivery & Lifecycle Information:

[TE Connectivity:](#)

[1445050-3](#)