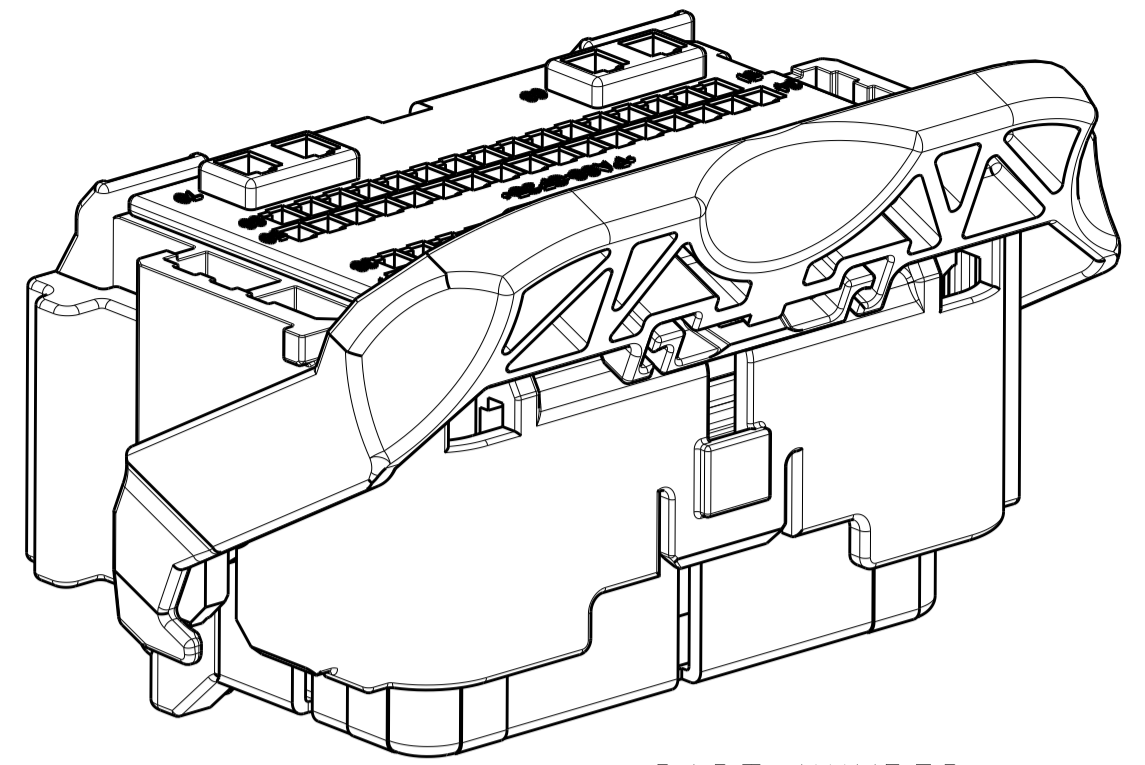
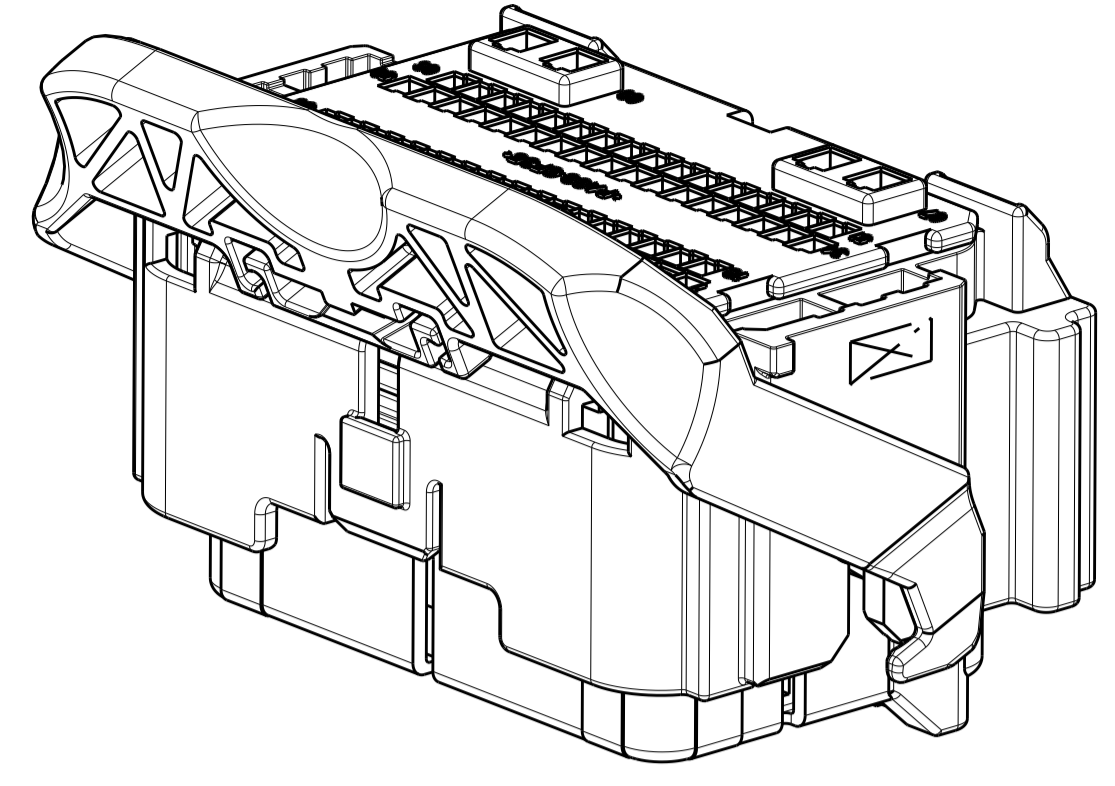
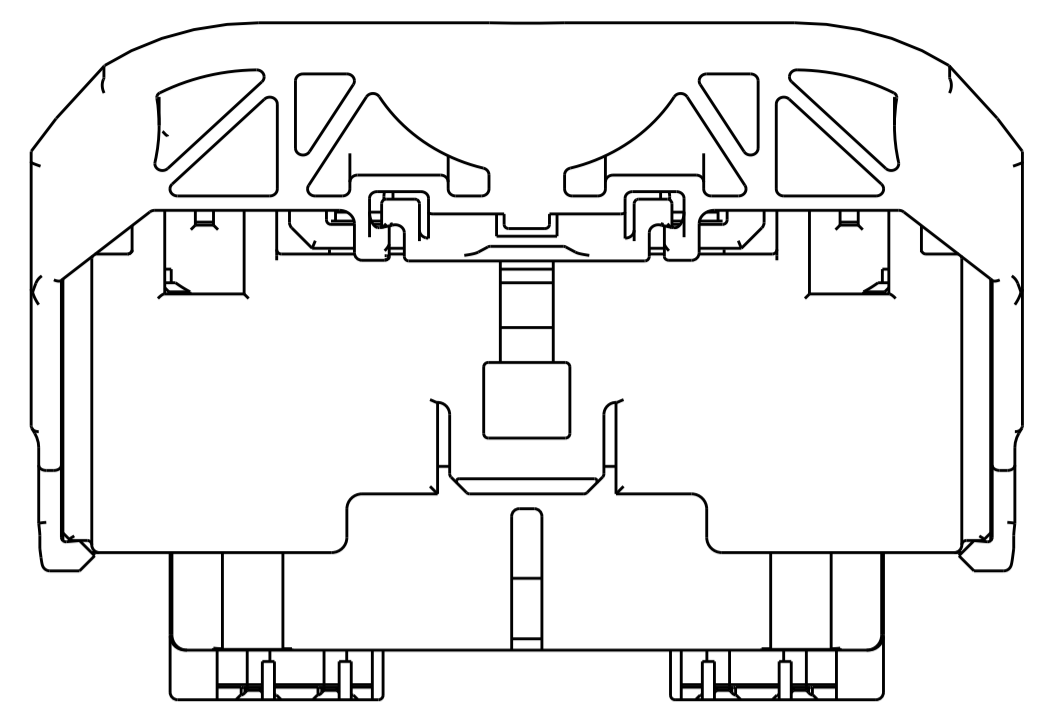


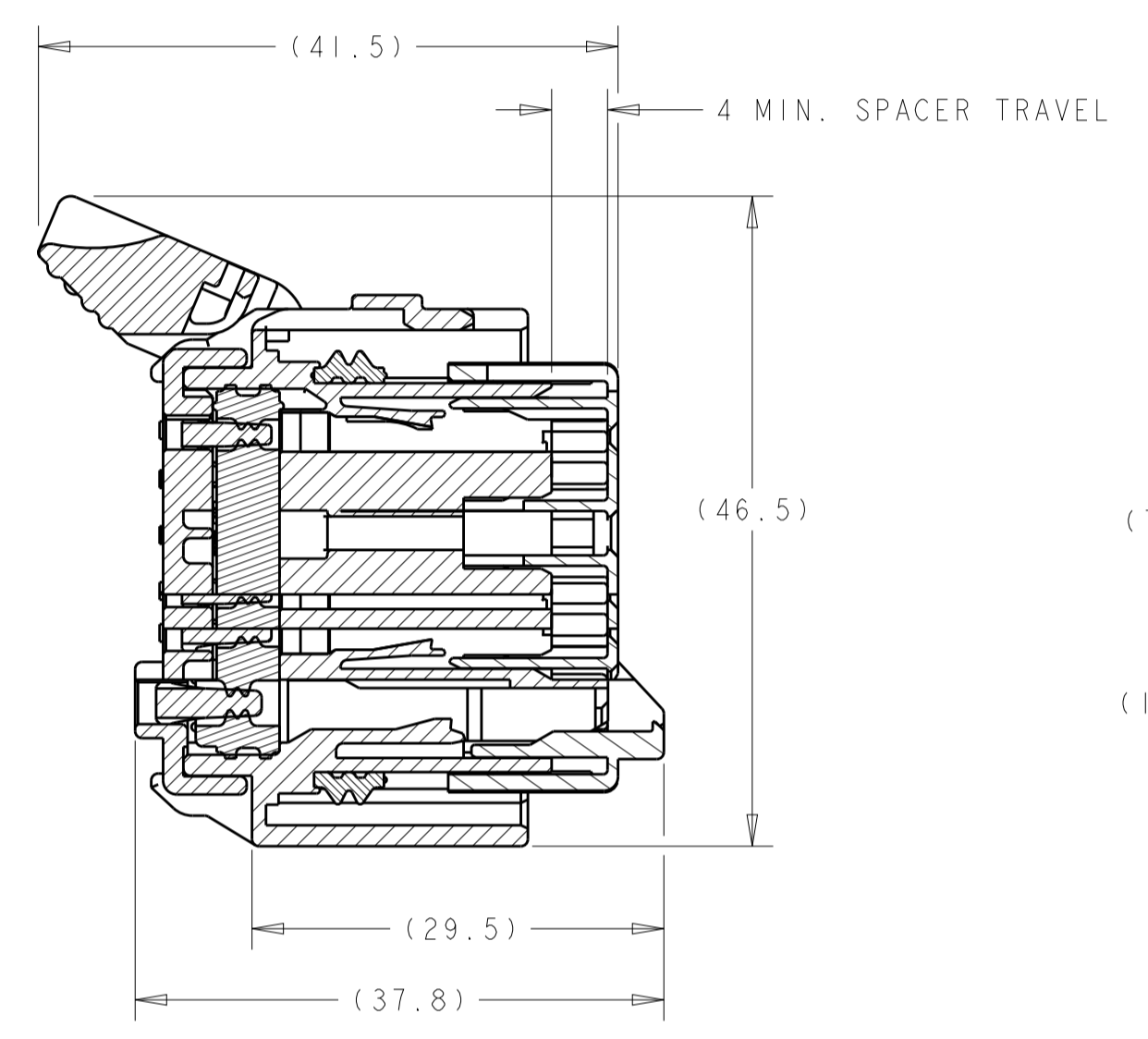
REVISIONS					
P.	LTN.	DESCRIPTION	DATE	DWN.	APVD.
G45		REVISED PER ECO-13-011449	16JUL2013	DLD	DCM
G46		REVISED PER ECO-14-007153	19MAY2014	DLD	DCM
G47		REVISED PER ECO-14-014965	09OCT2013	DLD	DCM
G48		REVISED PER ECO-20-012739	05OCT2020	AP	CM



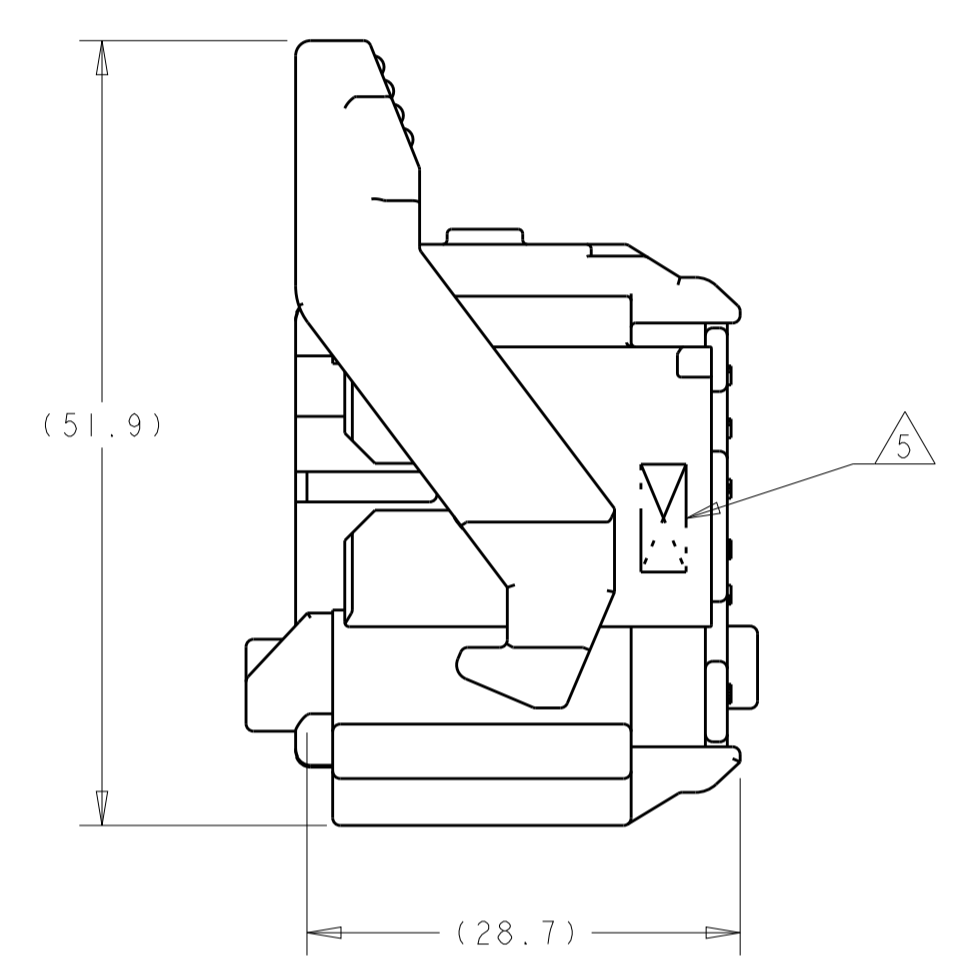
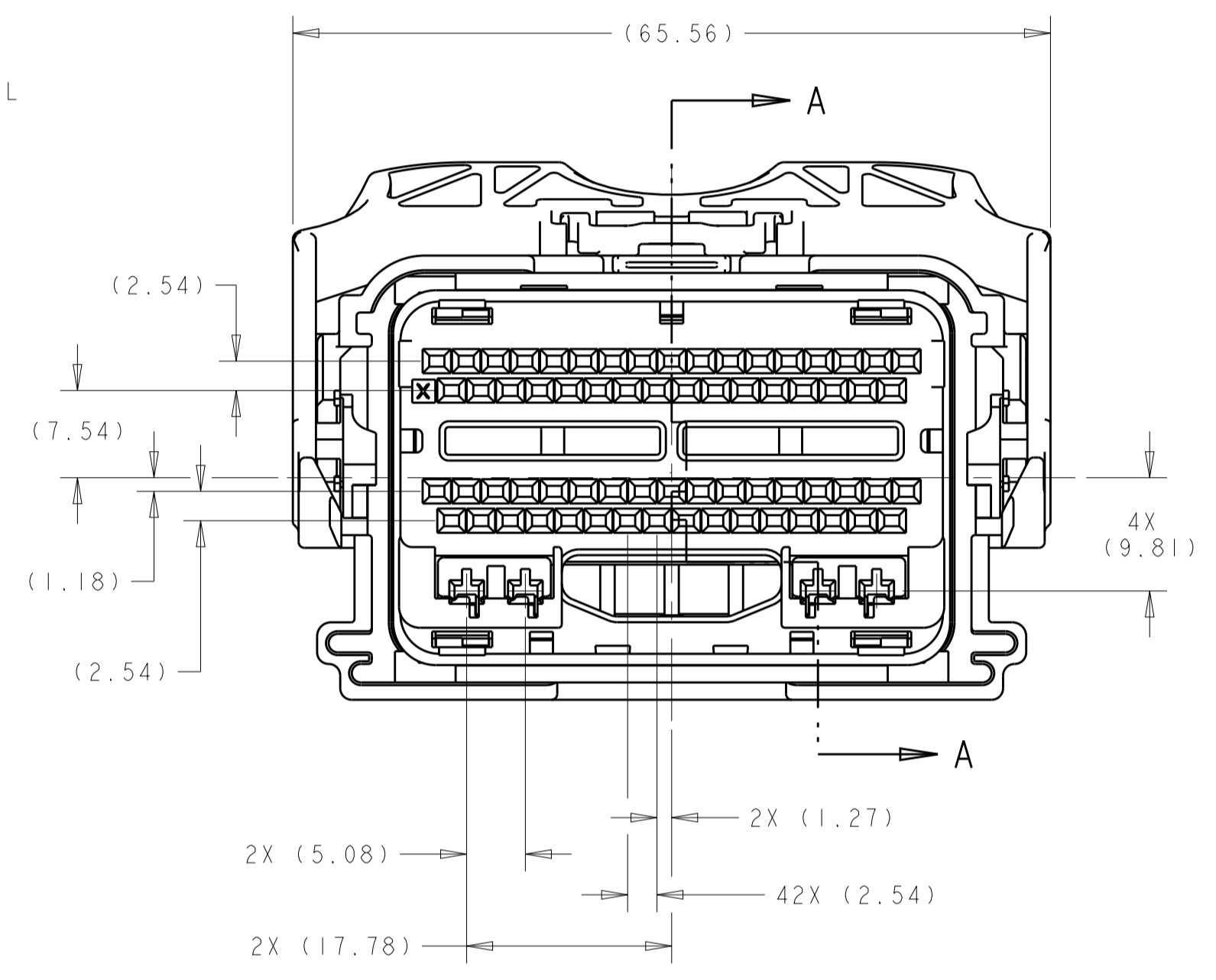
PART NUMBER:
1438136-1
SHOWN WITH SPACER
IN SEATED POSITION



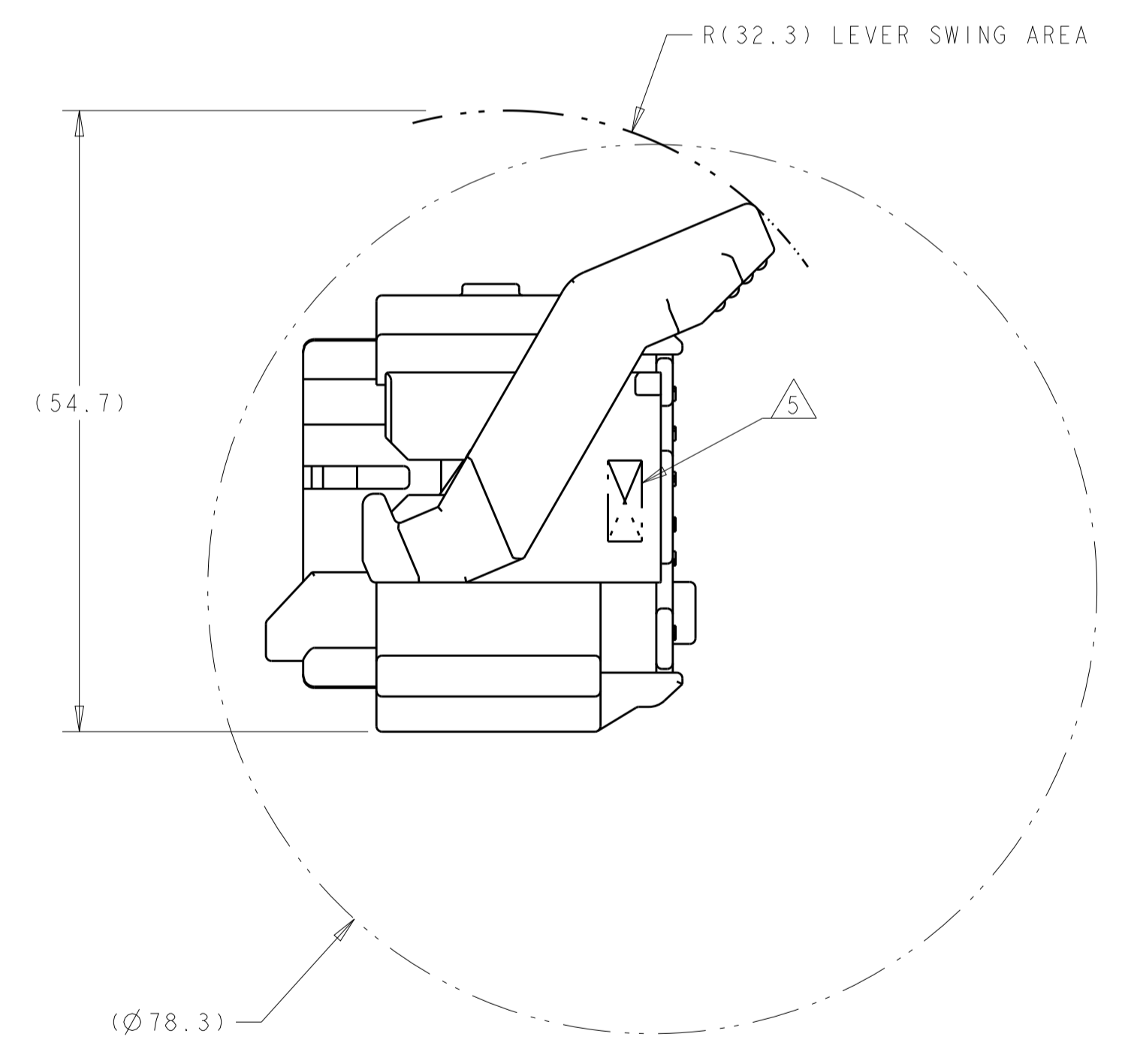
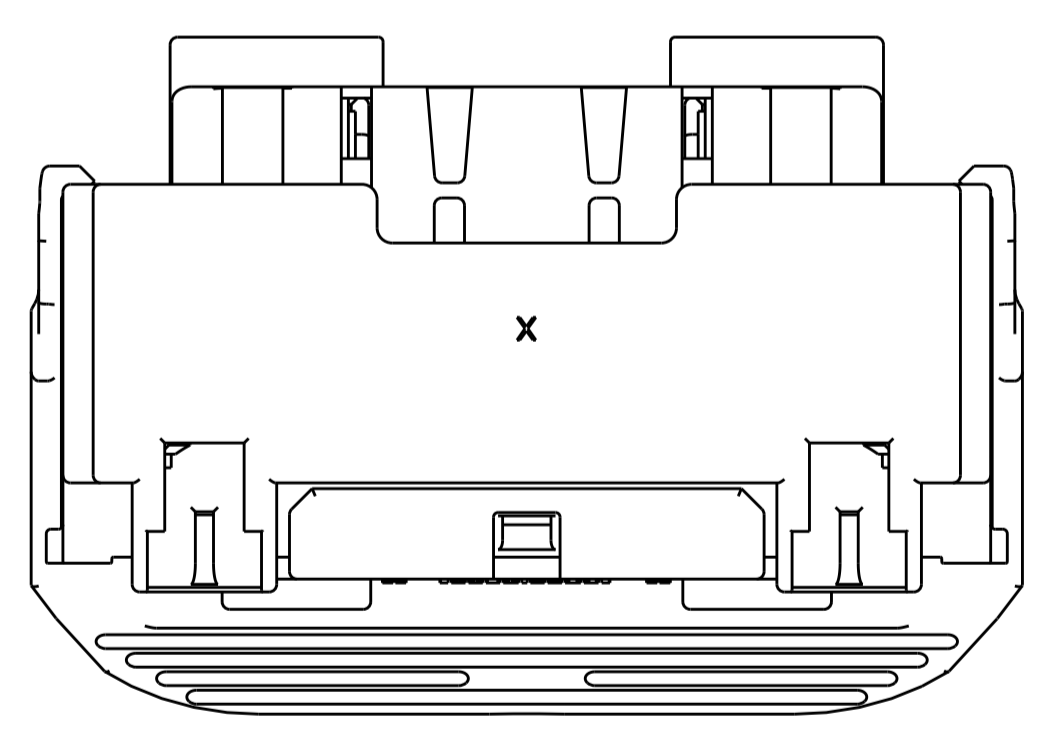
1. PRINT FORD PART NUMBER (SEE ATTACHED CHARTS) AND TRACEABILITY CODE (YY = 2 DIGIT YEAR, JJJ = JULIAN DATE, HH = 2 DIGIT MILITARY HOUR) IN THIS LOCATION AT ASSEMBLY. SEE SHEETS 3, 4 AND 5 (-*) PART NUMBERS.
 2. APPLICABLE MOLEX (1.5) POWER TERMINAL PART NUMBERS:
33012-0002 TIN 0.50-1.50mm²
 3. CAM LEVER AND SPACER ARE SHIPPED IN THEIR PRE-ASSEMBLED POSITIONS.
 4. REFERENCE TE INSTRUCTION SHEET 408-8893.
- △ COMPANY LOGO.
△ OBSOLETE PART.



SECTION A-A
SPACER AND LEVER
IN PRE-SEATED POSITION
(DELIVERY POSITION)



SHOWN WITH CAM
LEVER AND SPACER
IN LOADED POSITION



MIN. FEED THRU CONDITION
WITH 1mm CLEARANCE ALL AROUND
SHOWN WITH SPACER IN SEATED POSITION

SEE SHEETS 3 THRU 7
PART NUMBER

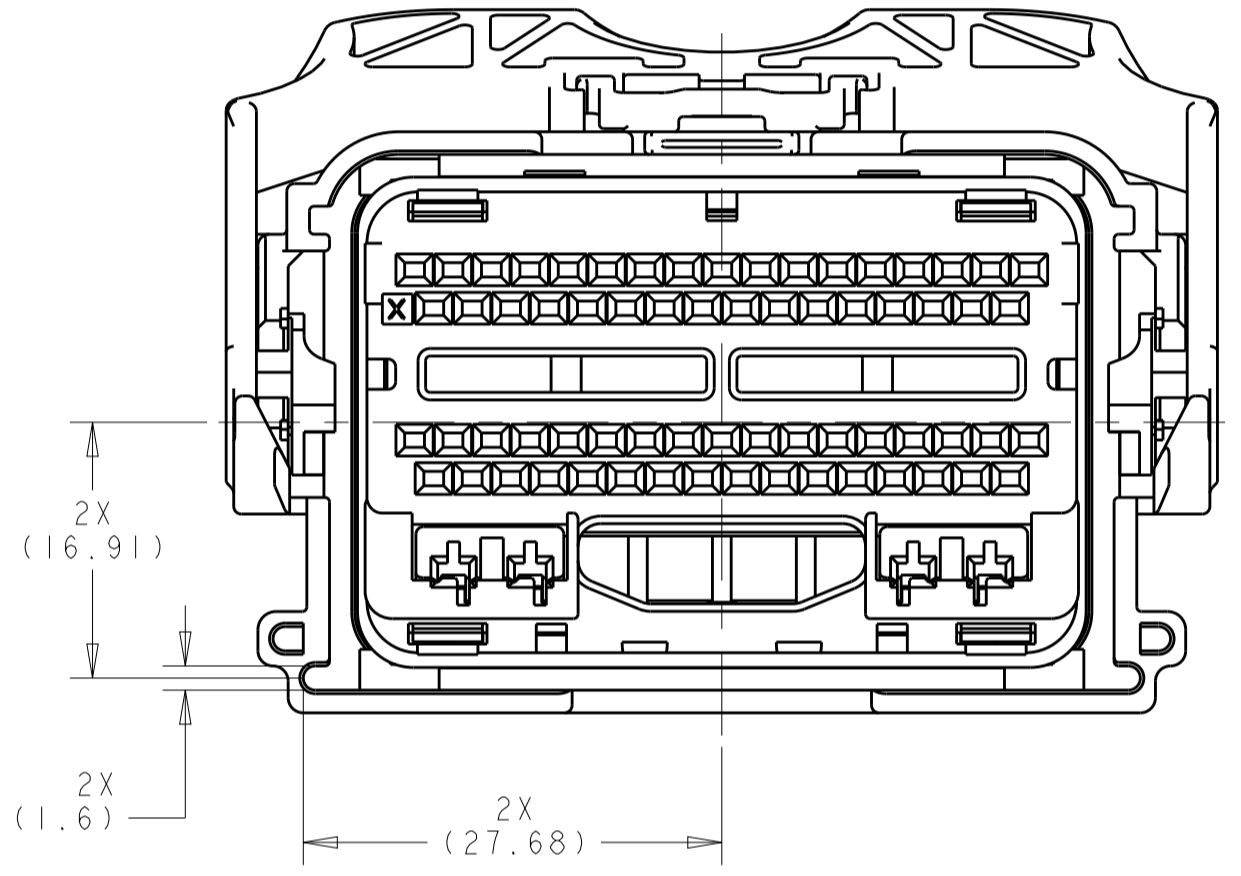
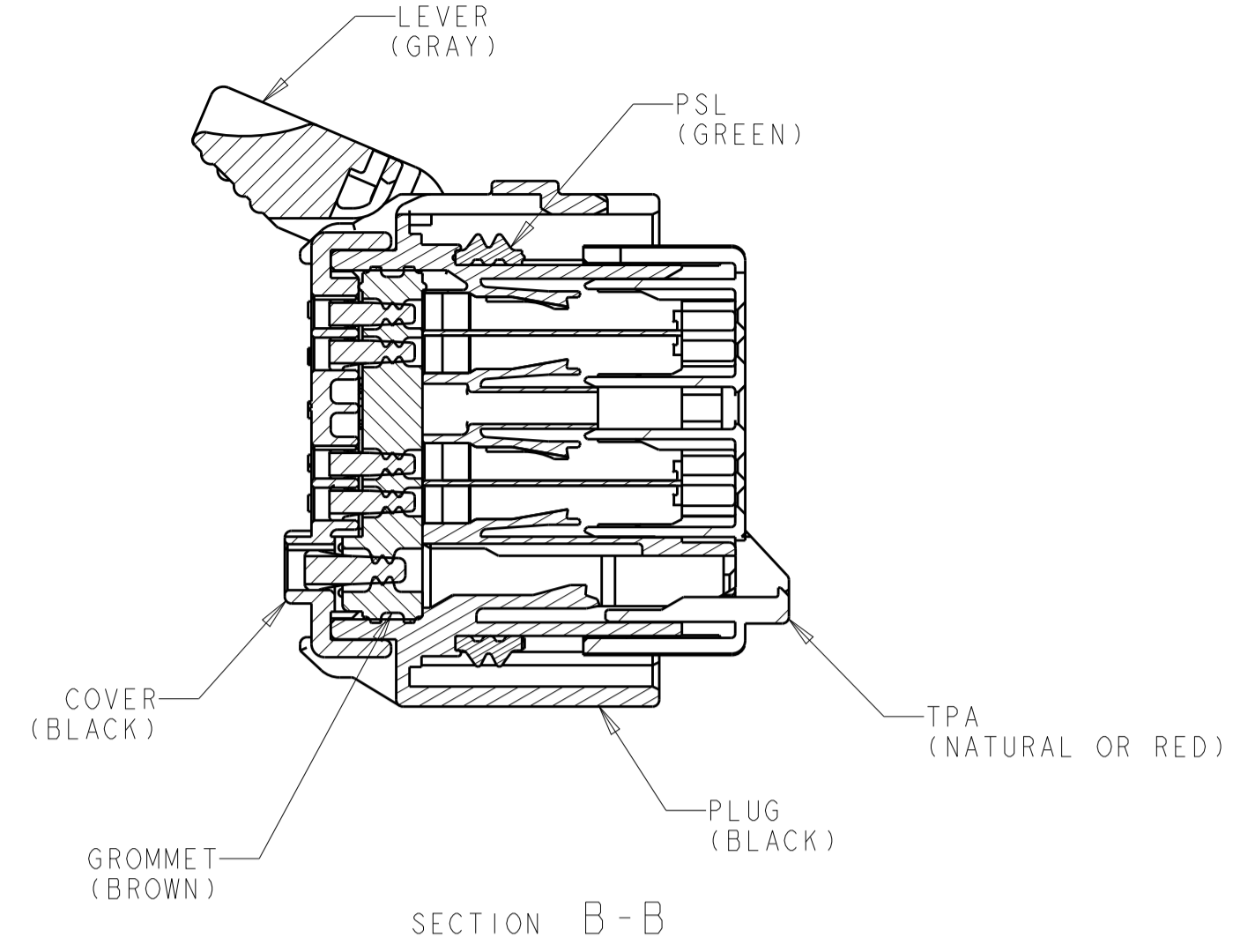
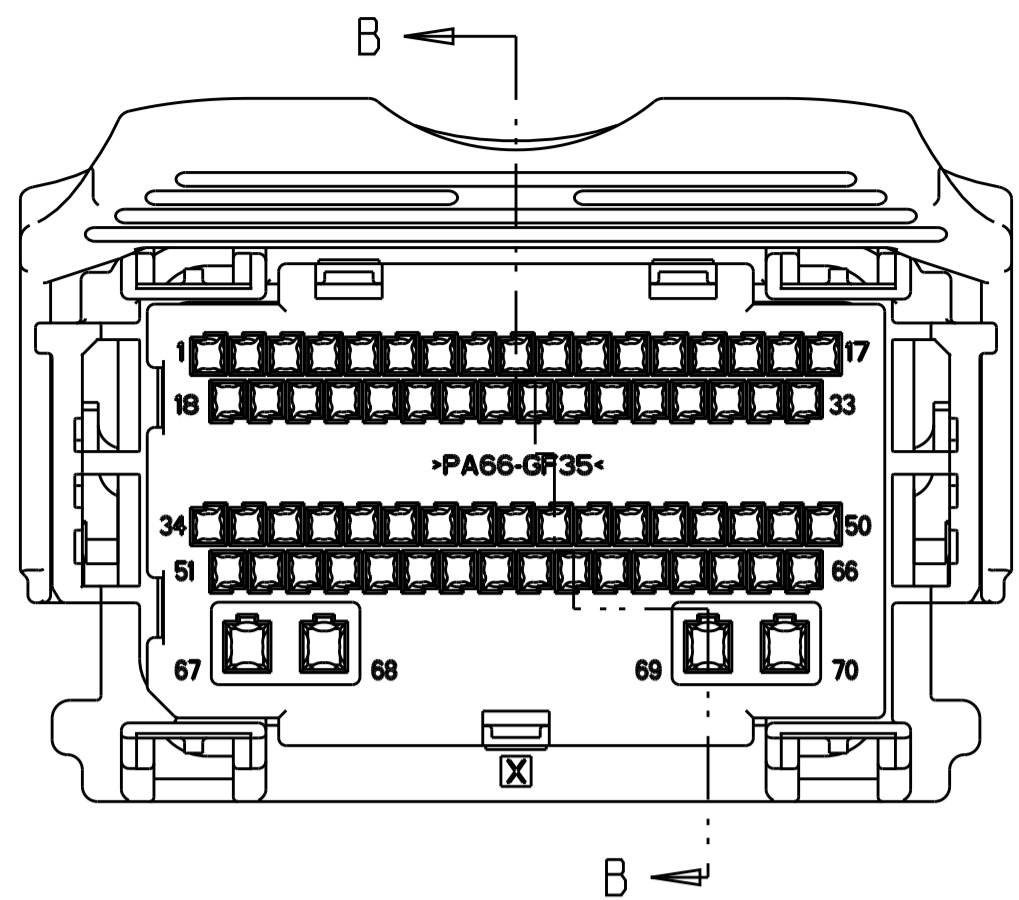
APPLICABLE COMPONENTS (FOR REFERENCE ONLY)						
DESCRIPTION	NOMINAL TERMINAL SIZE	COLOR/PLATING	FORD COMPONENT PART NUMBER	SUPPLIER PART NUMBER	MATERIAL/SPECIFICATION NUMBER	SAE WIRE SIZE
TERMINAL - FEMALE (Ag)	0.64 (CAT. 0)	SILVER	7S4T-14474-AA	1393366-2	COPPER ALLOY/SILVER PLATE	20AWG 18AWG
TERMINAL - FEMALE (Ag)	0.64 (CAT. 0)	SILVER	7S4T-14474-BA	1393367-2	COPPER ALLOY/SILVER PLATE	22AWG
TERMINAL - FEMALE (Sn)	0.64 (CAT. 0)	TIN	1L2T-14474-AA	1393366-1	COPPER ALLOY/TIN PLATE	20AWG 18AWG
TERMINAL - FEMALE (Sn)	0.64 (CAT. 0)	TIN	1L2T-14474-BA	1393367-1	COPPER ALLOY/TIN PLATE	22AWG
TERMINAL - FEMALE (Au)	0.64 (CAT. 0)	GOLD	1L2T-14474-CA	1393365-1	COPPER ALLOY/GOLD PLATE	20AWG 18AWG
TERMINAL - FEMALE (Au)	0.64 (CAT. 0)	GOLD	1L2T-14474-DA	1393364-1	COPPER ALLOY/GOLD PLATE	22AWG

THIS DRAWING IS A CONTROLLED DOCUMENT.

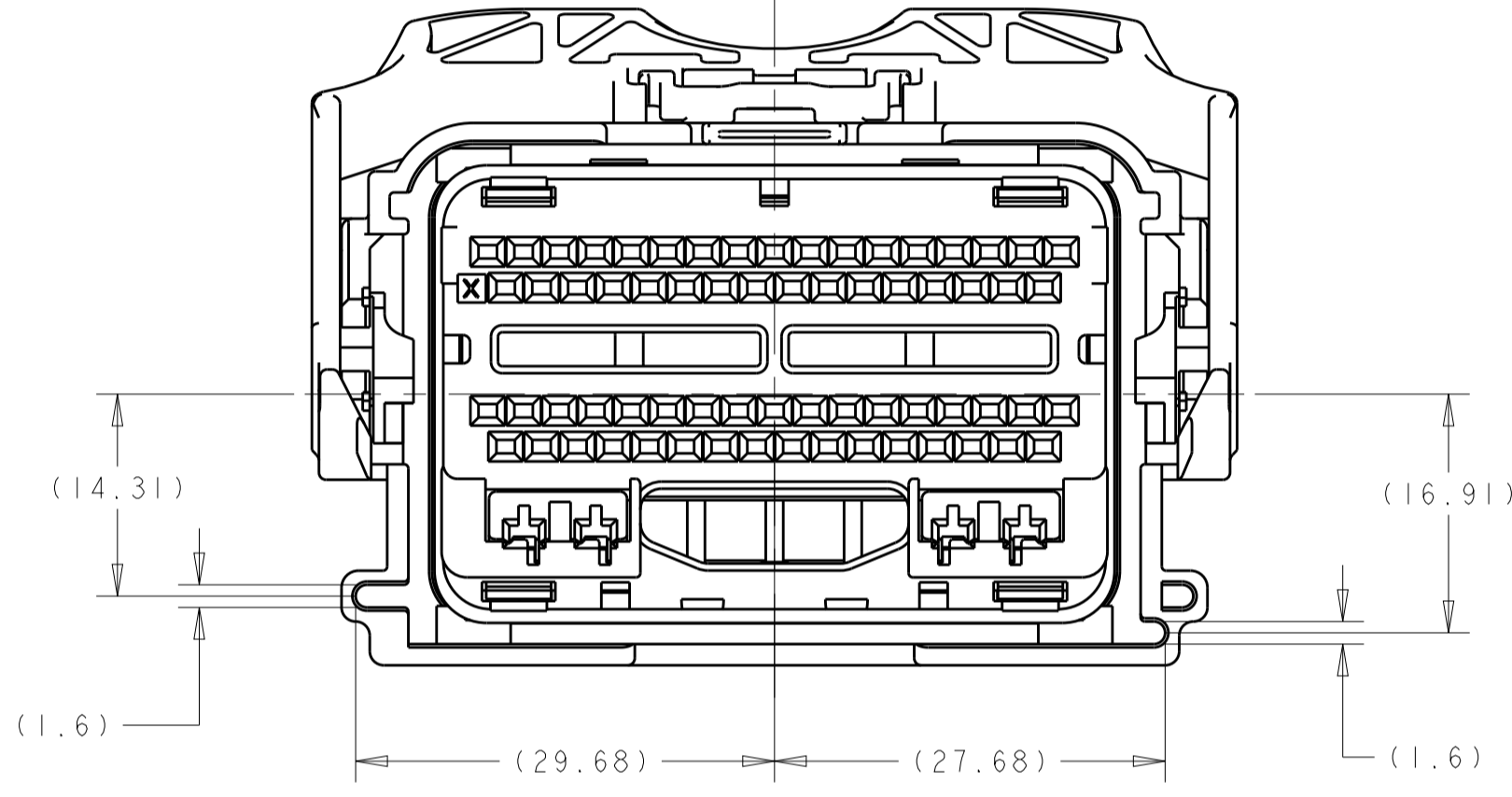
DIMENSIONS:	TOLERANCES UNLESS OTHERWISE SPECIFIED:	DWN. R. VESTAL 15APR2005	CHK. T. VALASEK 15APR2005	APVD. T. VALASEK 15APR2005
mm	0 PLC ±0.3 1 PLC ±0.3 2 PLC ±0.10 3 PLC ±0.10 4 PLC ±0.10 ANGLES ±1°	PRODUCT SPEC	APPLICATION SPEC	NAME
MATERIAL	FINISH	WEIGHT	SIZE CAGE CODE DRAWING NO	RESTRICTED TO
			A100779C=1438136	
CUSTOMER DRAWING		SCALE 2:1	SHEET 1 OF 11	REV G48

TE TE Connectivity
70-WAY HARNESS ASSEMBLY

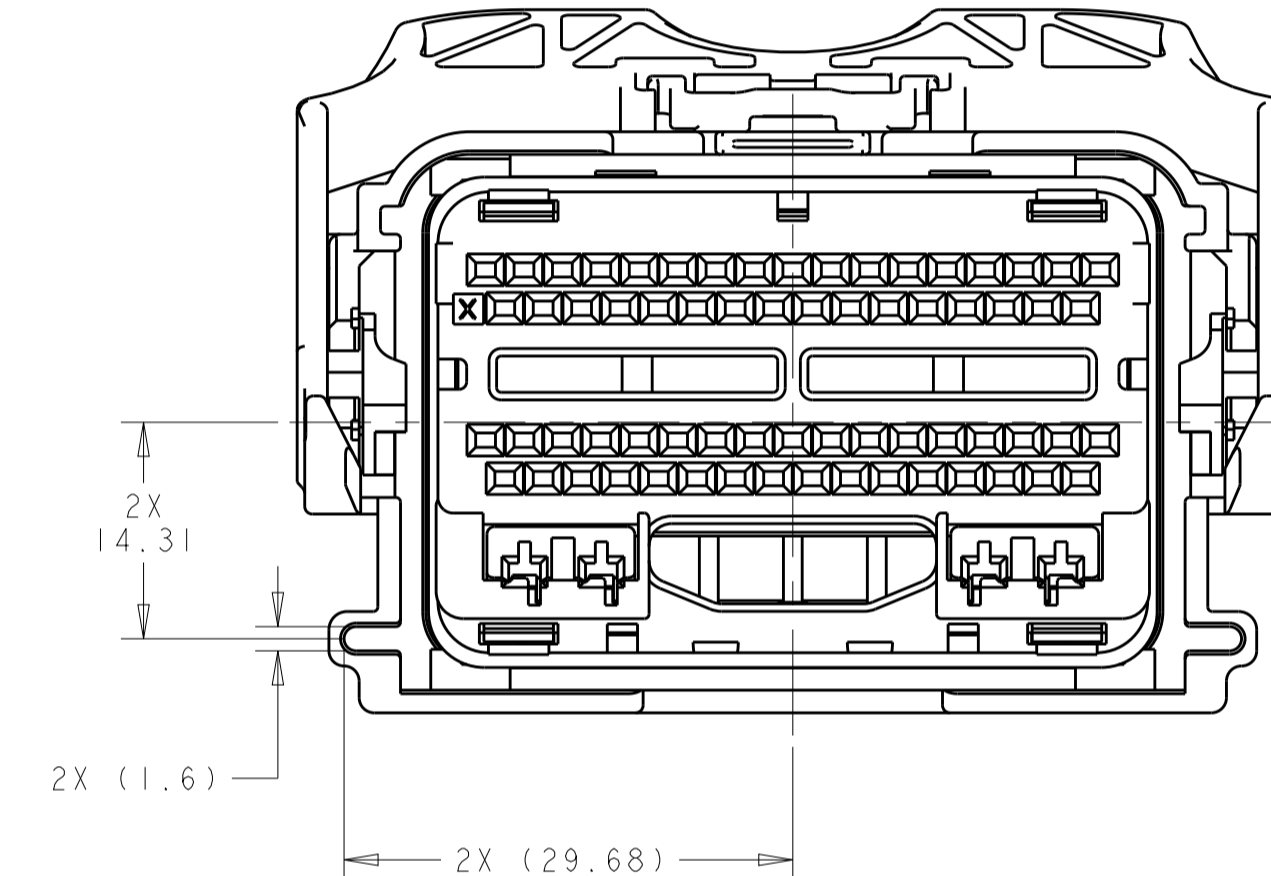
REVISIONS				
P.	LTN	DESCRIPTION	DATE	APVD
-	-	SEE SHEET 1	-	-



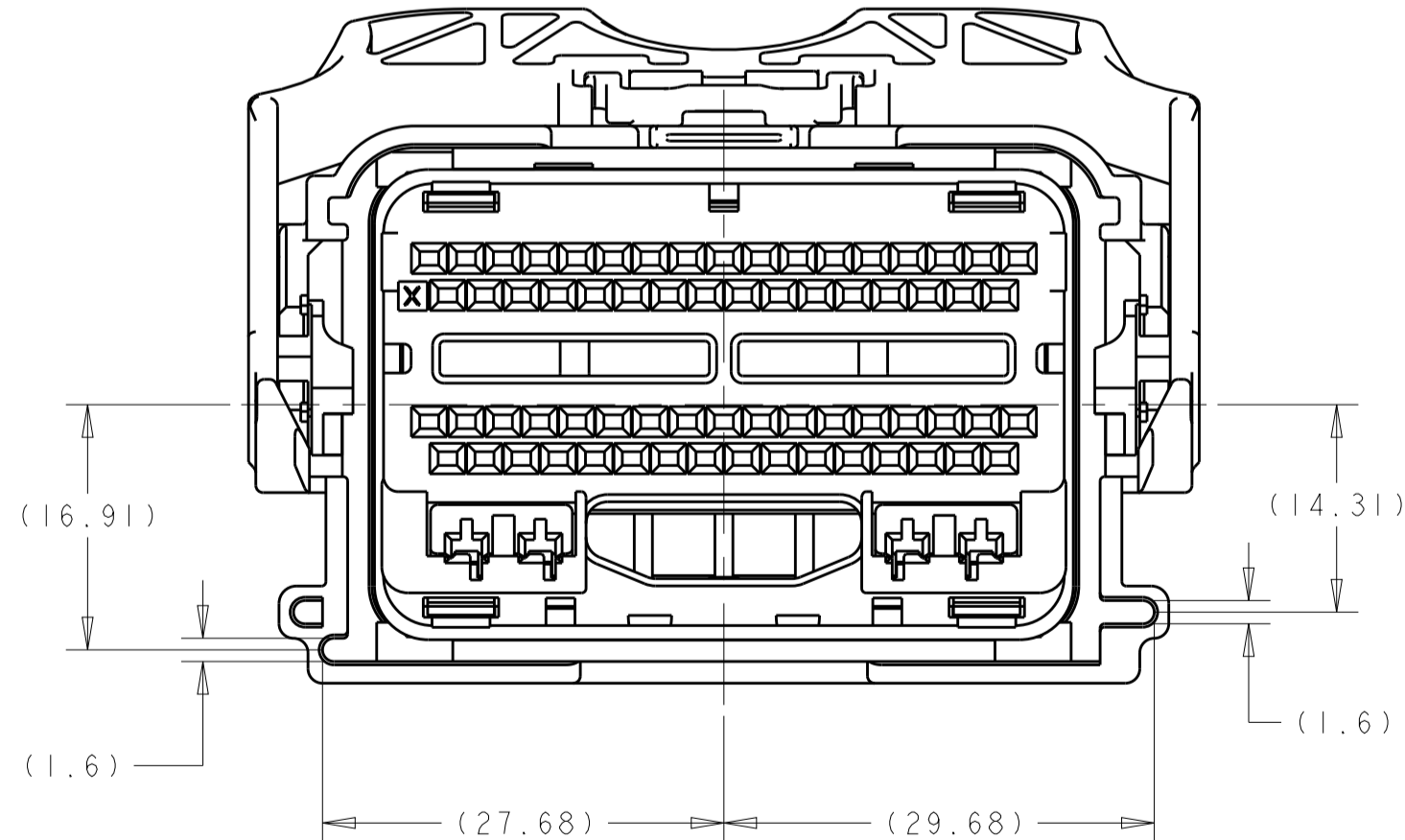
KEYING OPTION "A"



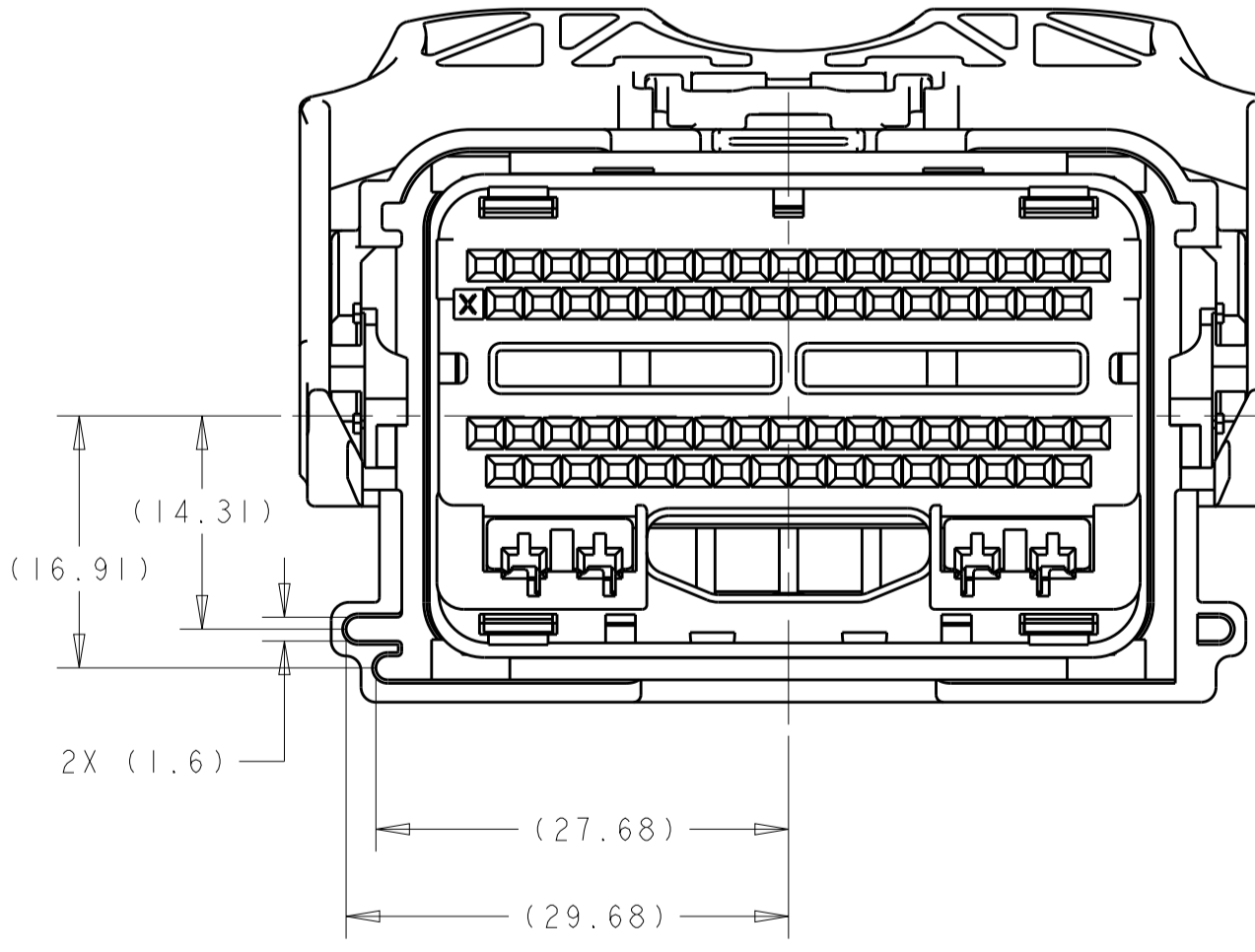
KEYING OPTION "B"



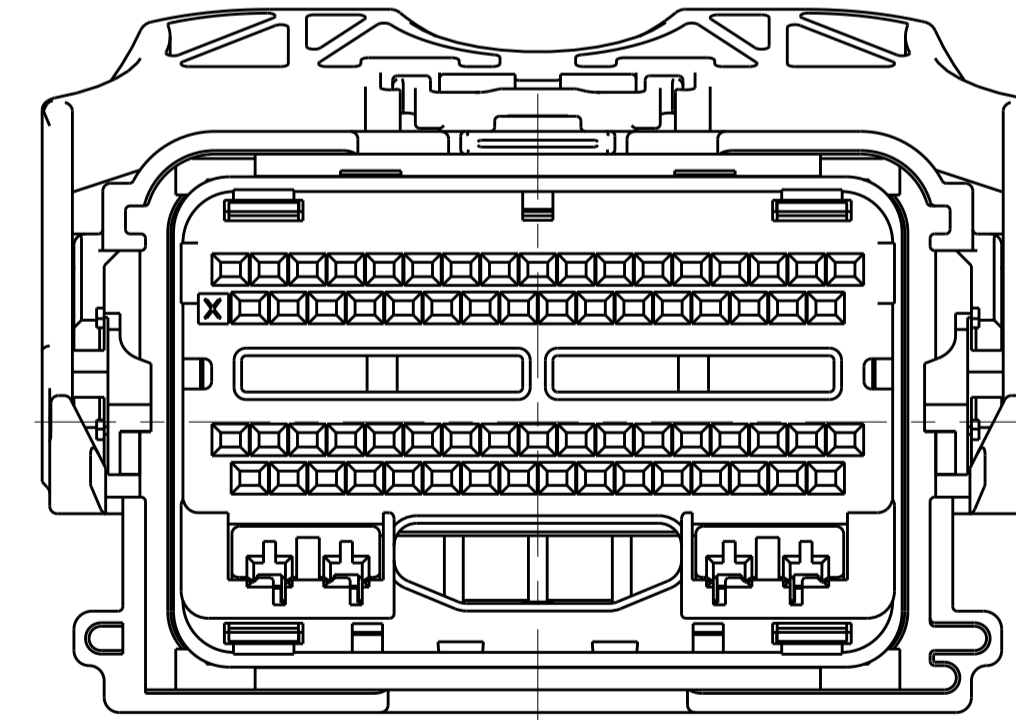
KEYING OPTION "C"



KEYING OPTION "D"



KEYING OPTION "E"



KEYING OPTION "F"

THIS DRAWING IS A CONTROLLED DOCUMENT.		OWN: R. VESTAL 15APR2005	TE Connectivity
DIMENSIONS: mm		CHK: T. VALASEK 15APR2005	
TOLERANCES UNLESS OTHERWISE SPECIFIED: 0 PLC ± 1 PLC ±0.3 2 PLC ±0.10 3 PLC ± 4 PLC ± ANGLES ±1°		APVD: T. VALASEK 15APR2005	NAME: 70-WAY HARNESS ASSEMBLY
MATERIAL: -		PRODUCT SPEC: -	RESTRICTED TO: -
FINISH: -		APPLICATION SPEC: -	SIZE: A100779
CUSTOMER DRAWING		WEIGHT: -	CAGE CODE: 1438136
		SCALE: 2:1	SHEET 2 OF 11
			REV: 648

REVISIONS				
P.	LTN	DESCRIPTION	DATE	OWN APVD
-	-	SEE SHEET 1	-	-


		57	55	51	49	43	36	35	33	30	27	25	24	23	22	18	17	15	11	10	9	8	6	3	2	1	3-2035383-0	8U5T-14A464-BA-056			
		56	55	54	52	51	49			39	36	35	34	33	31				12		9			4		1	2-2035383-9	8U5T-14A464-BA-055			
		55	54	51	49														11		9	8	6	4	3	2	1	2-2035383-7	8U5T-14A464-BA-054		
	64 63	55	54	51	49	48				41											9			4			2-2035383-5	8U5T-14A464-BA-053			
		57	56	55	54	51	49			39	36	35	33						12	10	9	8		5	4		2-2035383-4	8U5T-14A464-BA-052			
		57	56	55	54	51	49			39	36	35	33						12	11	10	9	8	6	5	4	3	1-2035383-9	8U5T-14A464-BA-051		
	64 63	55	54	51	49	48				41											9			4			1-2035383-8	8U5T-14A464-BA-050			
		57	55	54		49				43	41	39								11	10	9	8	6	5	4	3	2	1-2035383-3	8U5T-14A464-BA-049	
		57	55	54	51	49				43	41	39	36	35	33	30				11	10	9	8	6	5	4	3	2	1-2035383-2	8U5T-14A464-BA-048	
		57	55	54		49				41	40	39								11	10	9	8	6	5	3	2	1	2035383-9	8U5T-14A464-BA-047	
	64 63	55	54	51	49	48				41														4		2	2035383-7	8U5T-14A464-BA-046			
		57	56	55	54	51	49			39	36	35	33						12	11	10	9	8	6	5	4	3	1	2035383-1	8U5T-14A464-BA-045	
		55	54		49					39										11	10	9	8	6	5	3	2	1	9-1456659-8	8U5T-14A464-BA-044	
		56	55	54	52	51	49			39	36	35	34	33	31				12	11	10	9	8	6	5	4	3	1	9-1456659-6	8U5T-14A464-BA-043	
		57	55	54	53	51	49			37									12		9	7			3	2	1	9-1456659-3	8U5T-14A464-BA-042		
		57	55	54	53	52	51	49		37									12		9	7			3	1	9-1456659-1	8U5T-14A464-BA-041			
		57	55	54	51	49				43	39	36	35	33	30				11	10	9	8	6	4	3	2	1	8-1456659-9	8U5T-14A464-BA-040		
		57	55	54	51	49				43	39	36	35	33					11	10	9	8	6	4	3	2	1	8-1456659-8	8U5T-14A464-BA-039		
		57	55	54	53	51	49			37	35	34	33	32	30				12		9	8	7		3	2	1	8-1456659-7	8U5T-14A464-BA-038		
		57	55	54	51	49				43	39	36	35	33	30				11	10	9	8	6	4	3	2	1	8-1456659-4	8U5T-14A464-BA-037		
		57	55	54		49				39									11	10	9	8	6	5	3	2	1	8-1456659-3	8U5T-14A464-BA-036		
		57	55	54		49				39									11	10	9	8	6	5	3	2	1	8-1456659-2	8U5T-14A464-BA-035		
		57	55	54		49				41	40	39							11	10	9	8	6	5	3	2	1	8-1456659-1	8U5T-14A464-BA-034		
		56	55	54	51	49				39	36	35	34	33	31				12		9			4		1	8-1456659-0	8U5T-14A464-BA-033			
		56	55	54	52	51	49			39	36	35	34	33	31				12		9			4		1	7-1456659-9	8U5T-14A464-BA-032			
		56	55	54	52	51	49			39	36	35	34	33	31				12	11	10	9	8	6	4	3	1	7-1456659-8	8U5T-14A464-BA-031		
		57	56	55	54	51	49			39	36	35	33						11	10	9	8	6	5	4	3		7-1456659-7	8U5T-14A464-BA-030		
		57	55	54	51	49				43	39	36	35	33					11	10	9	8	6	5	4	3	2	1	7-1456659-6	8U5T-14A464-BA-029	
		57	55	54	51	49				43	39	36	35	33	30				11	10	9	8	6	5	4	3	2	1	7-1456659-5	8U5T-14A464-BA-028	
		57	55	54	51	49				43	39	36	35	33					11	10	9	8	6	5	4	3	2	1	7-1456659-4	8U5T-14A464-BA-027	
		57	55	54	53	51	49			37									12		9	7			2	1	7-1456659-2	8U5T-14A464-BA-026			
		57	55	54	53	51	49			37	35	33	32	30					12		9	7		5		1	6-1456659-9	8U5T-14A464-BA-025			
		57	56	54	51	49				39	36	35	33	30					12	11	10	9	8	6	5	4	3	1	6-1456659-8	8U5T-14A464-BA-024	
		57	55	51	49					43	39	36	35	33	30				11	10	9	8	6	5	3	2	1	6-1456659-7	8U5T-14A464-BA-023		
		57	56	55	54	51	49			39	36	35	33						12	11	10	9	8	6	5	3	1	6-1456659-6	8U5T-14A464-BA-022		
		57	55	54	51	49				43	39	36	35	33					11	10	9	8	6	5	3	2	1	6-1456659-5	8U5T-14A464-BA-021		
		56	55	54	51	49				39	36	35	34	33	31				12		9				1	6-1456659-3	8U5T-14A464-BA-020				
		57	55	54	53	52	51	49		37									12		9	7			1	6-1456659-2	8U5T-14A464-BA-019				
		56	55	54	52	51	49			39	36	35	34	33	31				12		9				1	6-1456659-1	8U5T-14A464-BA-018				
		56	55	54	51	49				39	36	35	34	33	31				12		9				1	6-1456659-0	8U5T-14A464-BA-017				
		57	55	54	51	49				43	39	36	35	33	30				11	10	9	8	6	5	3	2	1	5-1456659-2	8U5T-14A464-BA-016		
		57	55	54	51	49				43	39	36	35	33					11	10	9	8	6	5	3	2	1	5-1456659-1	8U5T-14A464-BA-015		
		57	55	54	53	52	51	49		37									12		9	7	5		1	4-1456659-1	8U5T-14A464-BA-014				
		57	56	54	52	51	49			39	36	35	33	31	30				12	11	10	9	8	6	4	3	2	1	2-1456659-9	8U5T-14A464-BA-013	
		57	56	54	51	49				39	36	35	33	30					12	11	10	9	8	6	4	3	1	2-1456659-7	8U5T-14A464-BA-012		
		57	55	54	53	51	49			37									12		9	7	5		1	2-1456659-6	8U5T-14A464-BA-011				
		57	55	54	51	49				43	39	36	35	33	30				11	10	9	8	6	5	3	2	1	2-1456659-5	8U5T-14A464-BA-010		
		57	55	54	53	51	49			37	36	35	33	32	30				12		9	8	7		3	2	1	1-1456659-2	8U5T-14A464-BA-009		
		57	56	55	54	51	49			39	36	35	33						11	10	9	8	6	5	3	1	1456659-8	8U5T-14A464-BA-008			
		57	56	55	54	51	49			39	36	35	33	30					11	10	9	8	6	5	3	1	1456659-1	8U5T-14A464-BA-007			
		59	57	56	55	54	51	49		43	39	36	35	33					12		10	9	8	6	5	3	9-1438136-9	8U5T-14A464-BA-006			
		57	56	54	51	49				39	36	35	33	30					12	11	10	9	8	7	6	4	3	1	9-1438136-8	8U5T-14A464-BA-005	
		57	56	54	52	51	49			39	36	35	33	31	30				12	11	10	9	8	7	6	4	3	2	1	9-1438136-7	8U5T-14A464-BA-004
		57	56	54	51	49				39	36	35	33	30					12	11	10	9	8	7	6	5	3	1	9-1438136-6	8U5T-14A464-BA-003	
		57	56	54	52	51	49			39	36	35	33	31	30				12	11	10	9	8	7	6	5	3	2	1	8-1438136-9	8U5T-14A464-BA-002
		57	56	54	53	51	49			39	37	36	35	34	33	30				12	11	10	9	8	7	6	4	3	1	8-1438136-4	8U5T-14A464-BA-001
																													1438136-4	8U5T-14A464-BA-000	

KEYING OPTION D

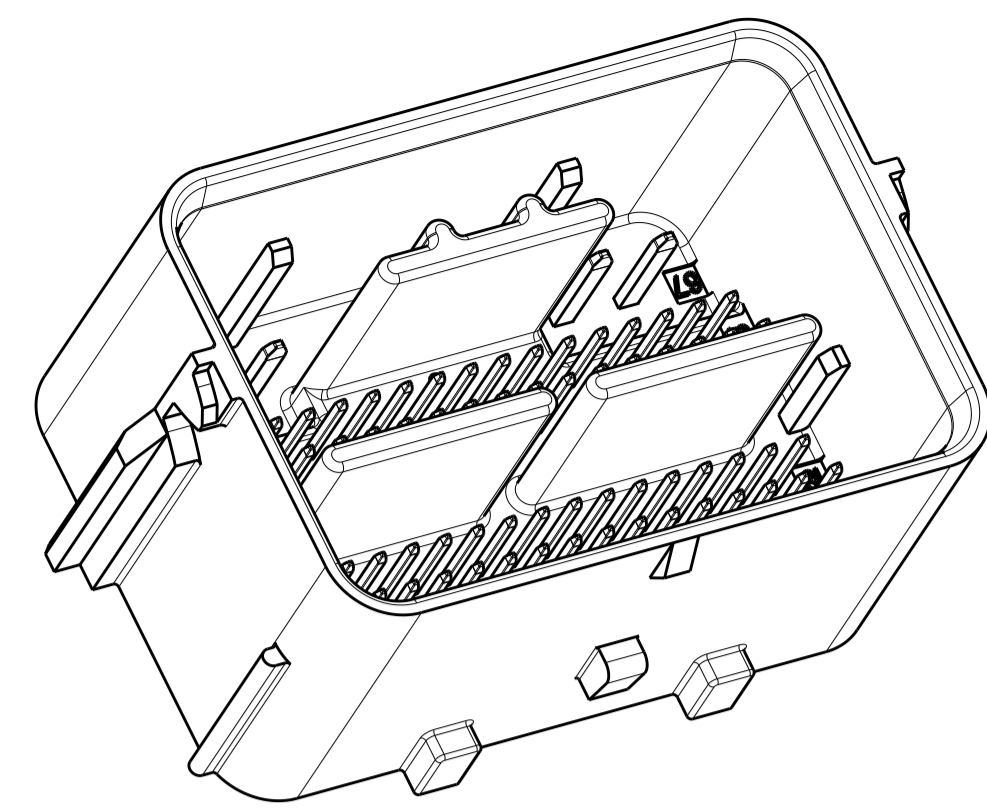
CAVITIES WITH A NUMERIC SYMBOL INDICATES CLOSED TERMINAL LOCATIONS
 BLANK CAVITIES INDICATES OPEN TERMINAL HOLE LOCATIONS

8U5T-14A464-B* PIN-OUT CHART

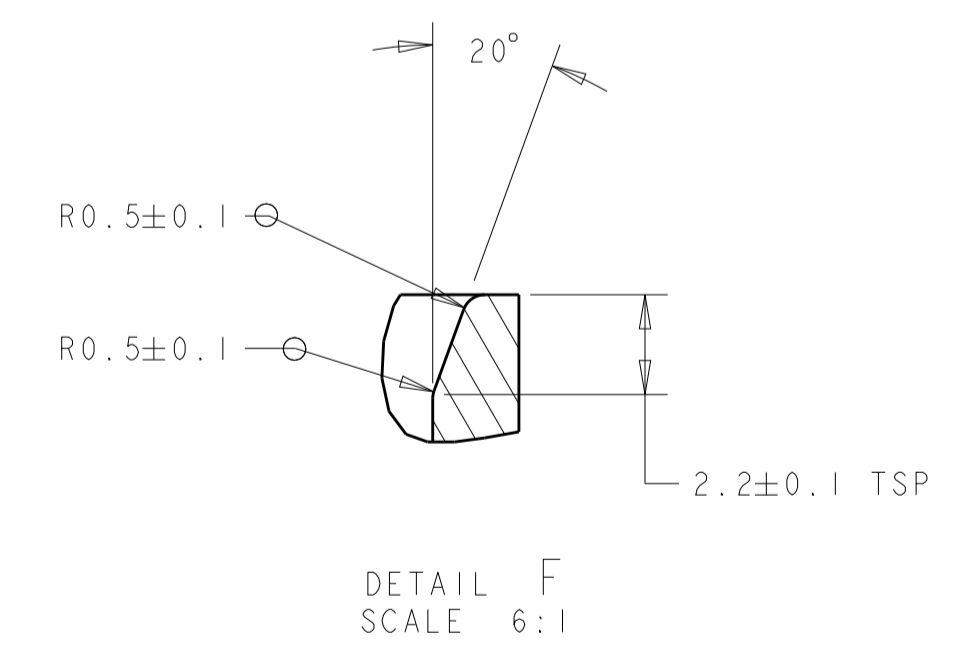
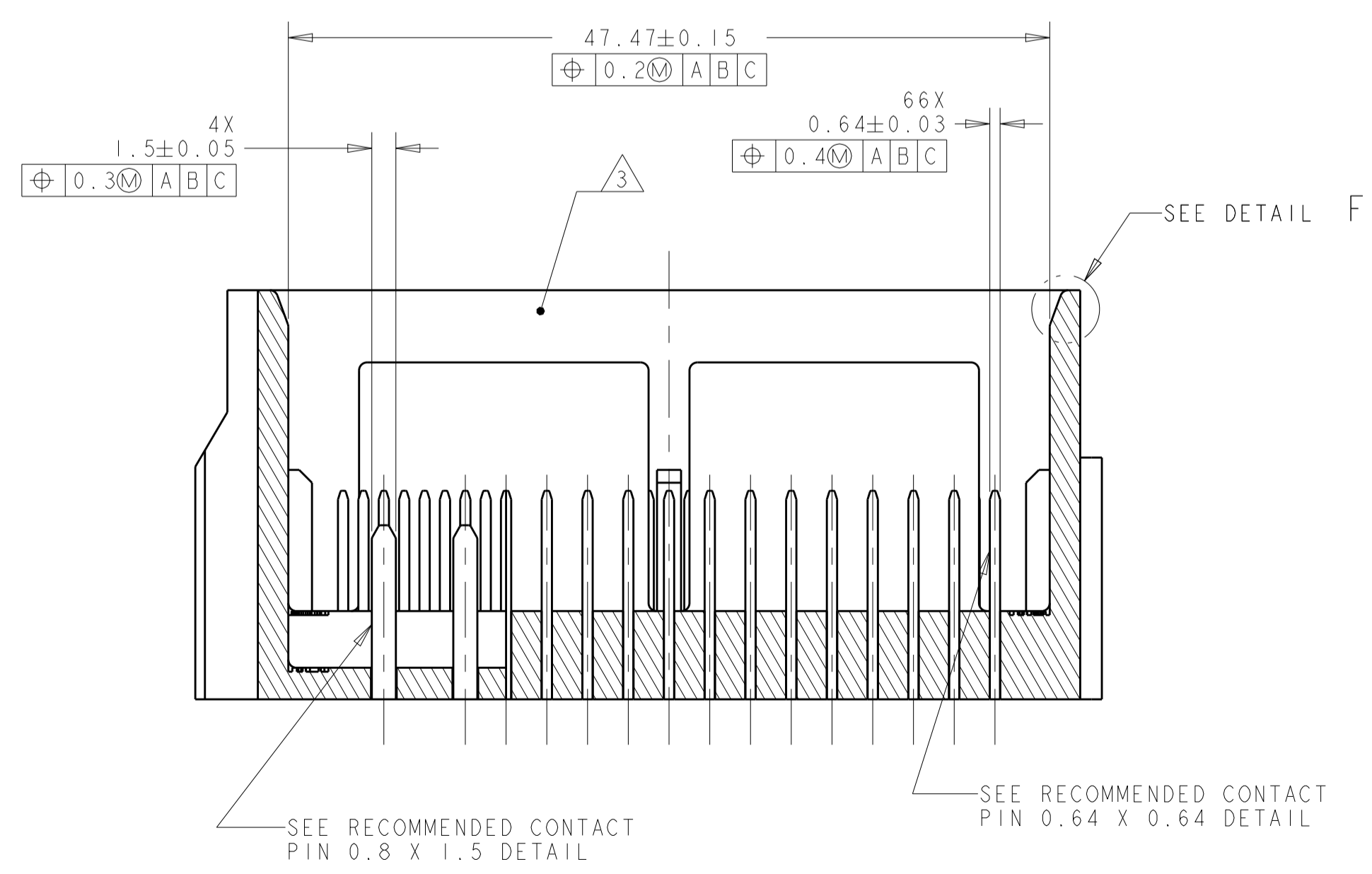
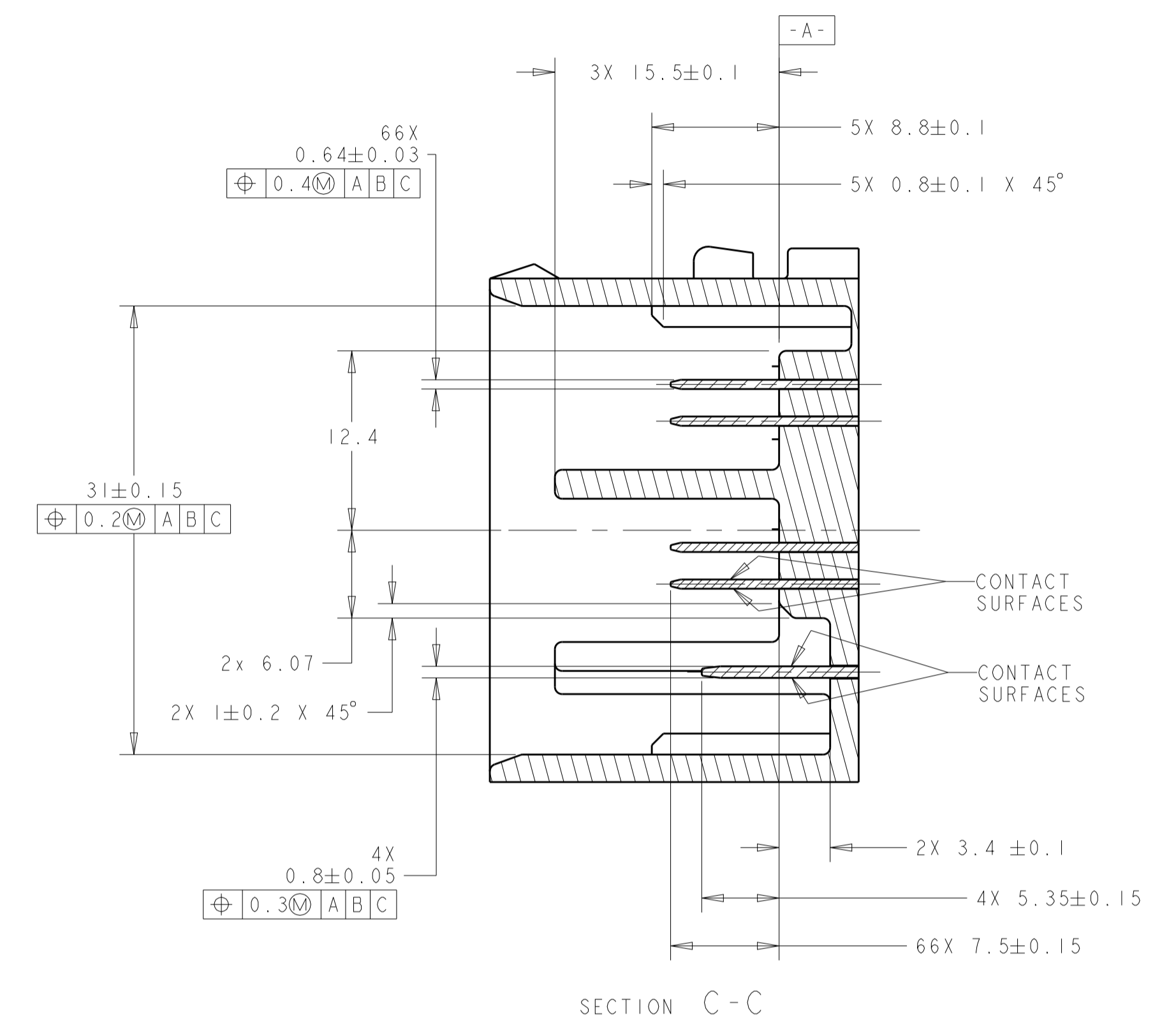
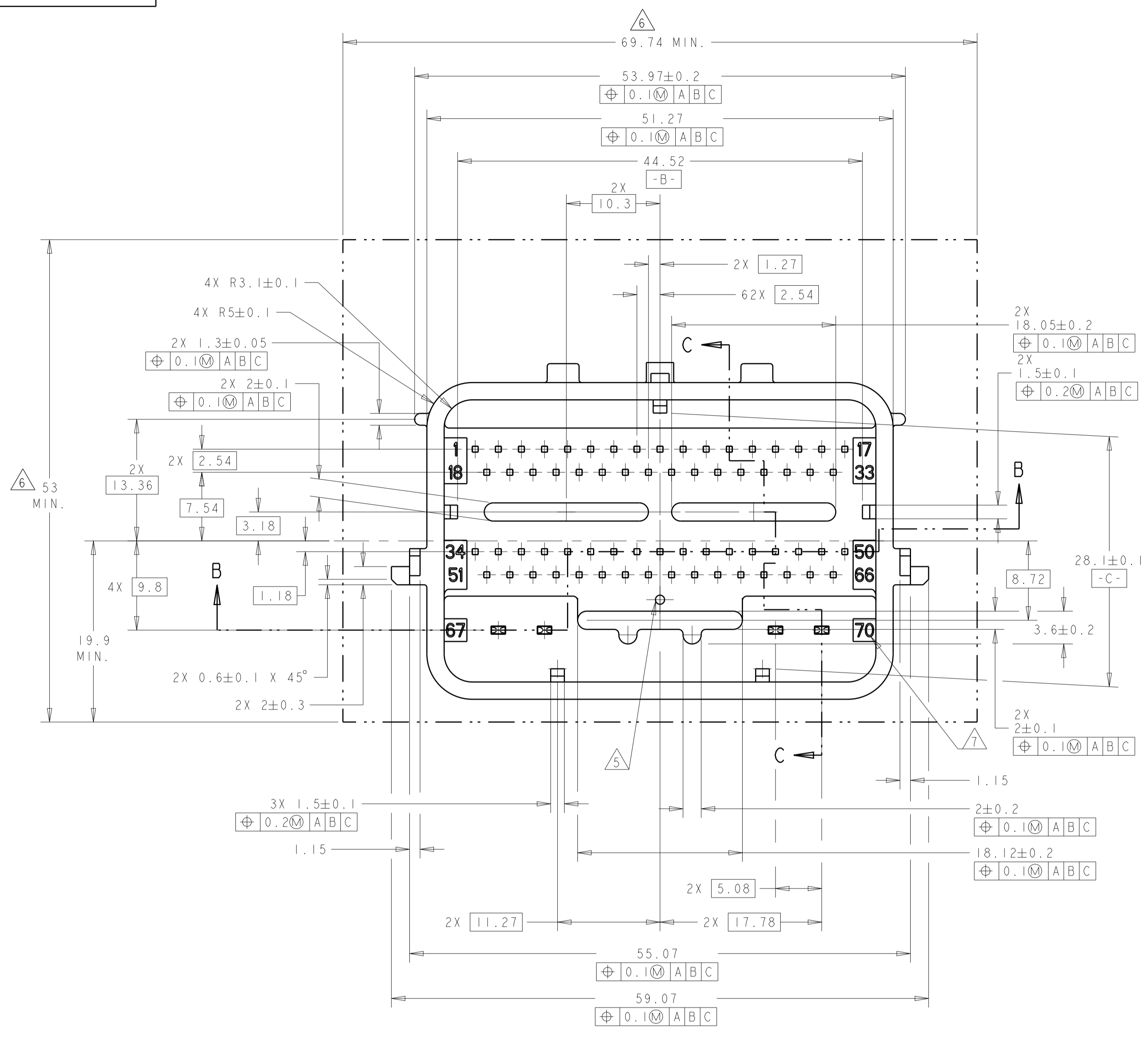
ASSEMBLY PART NUMBER
 FORD PART NUMBER

THIS DRAWING IS A CONTROLLED DOCUMENT.		OWN R. VESTAL 15APR2005	 TE Connectivity NAME 70-WAY HARNESS ASSEMBLY
--	--	-------------------------------	--

REVISIONS				
P.	LTN.	DESCRIPTION	DATE	APPV.
-	-	SEE SHEET 1	-	-



SCALE 2:1

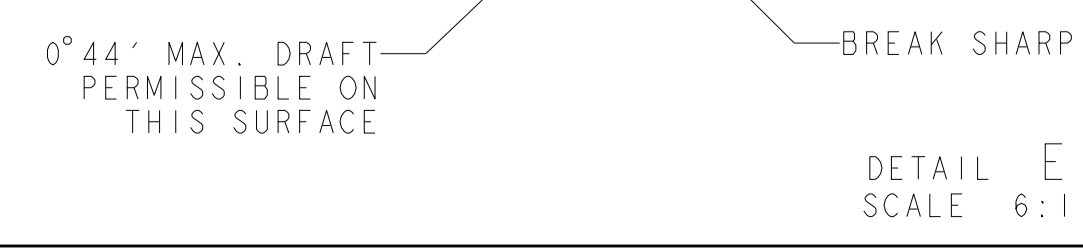
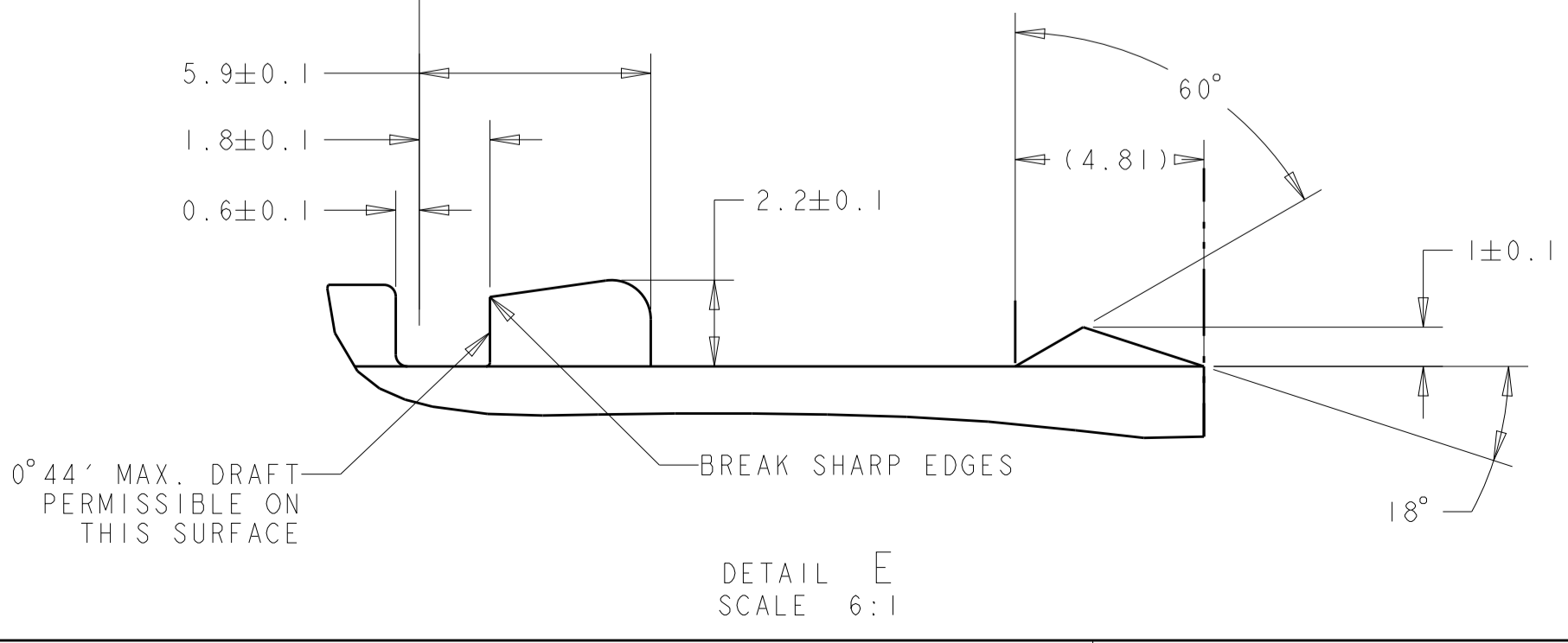
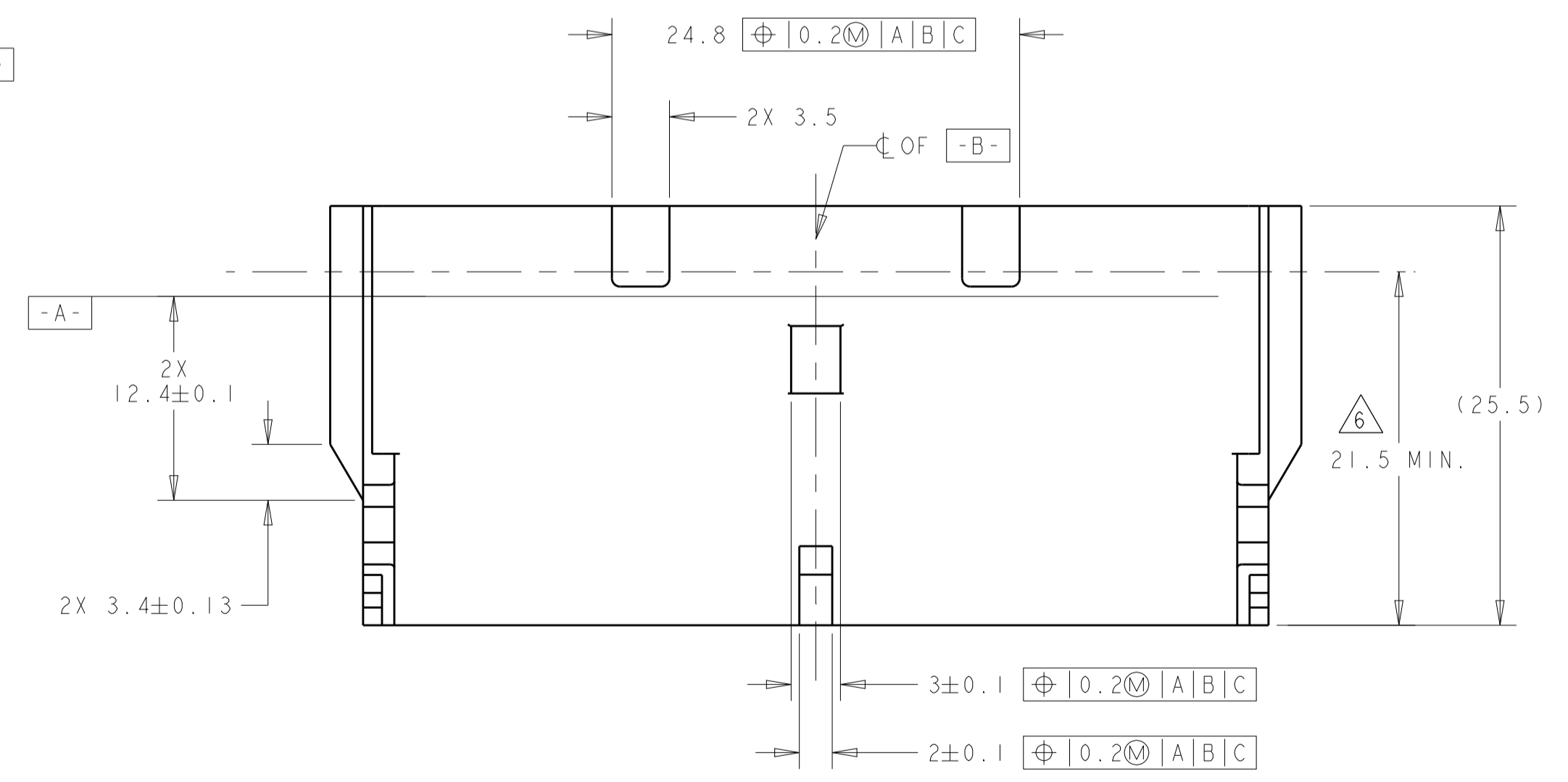
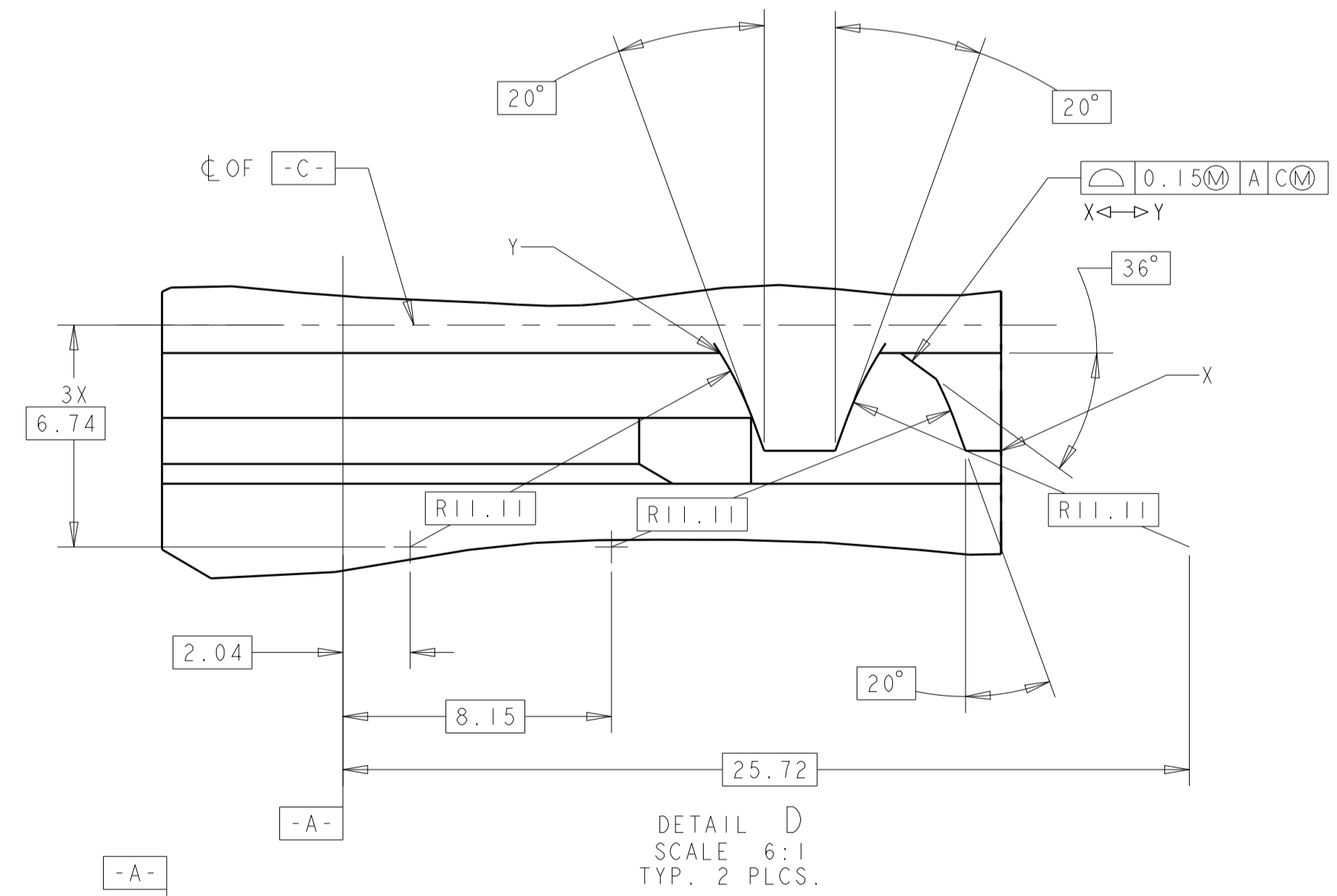
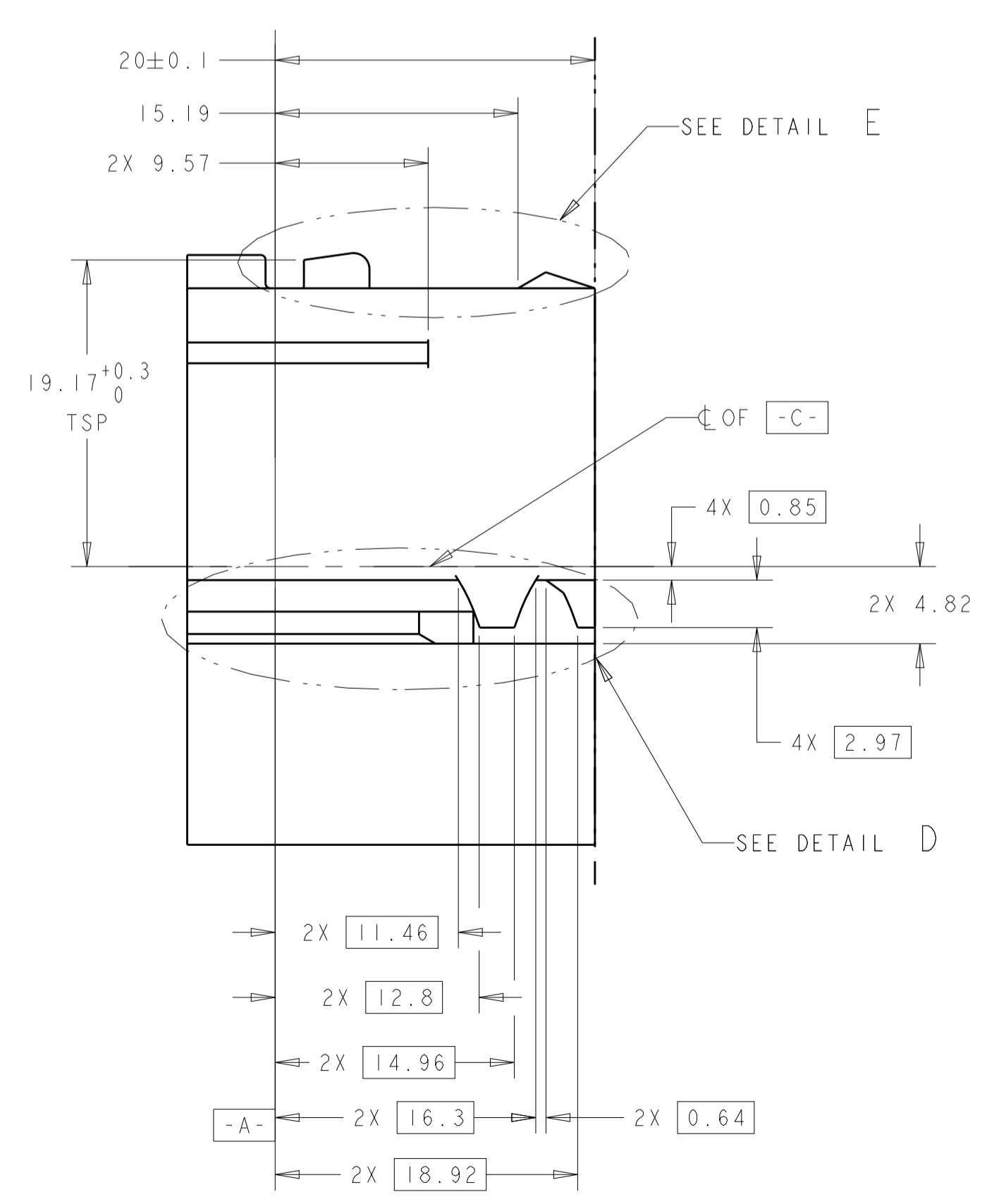
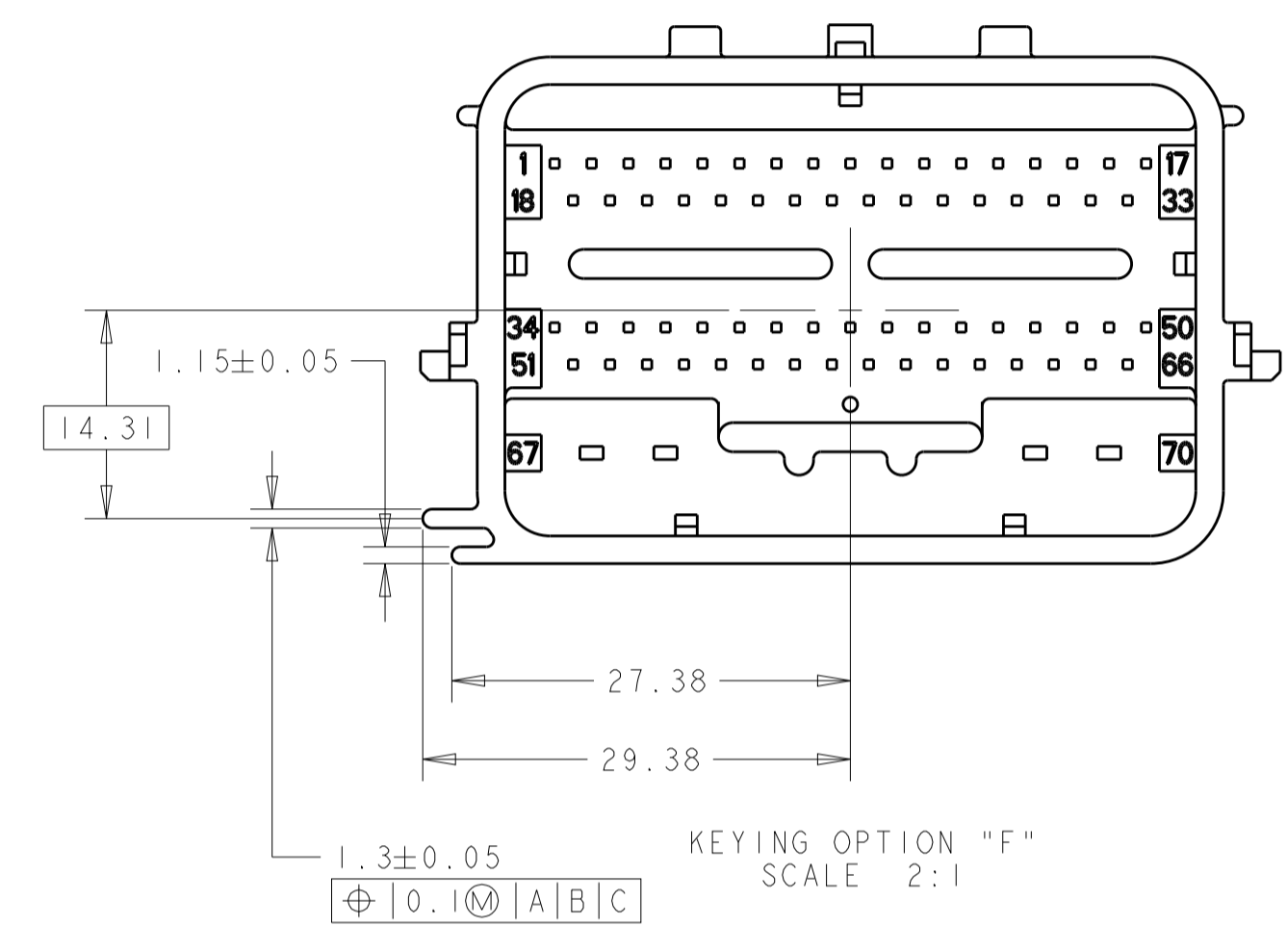
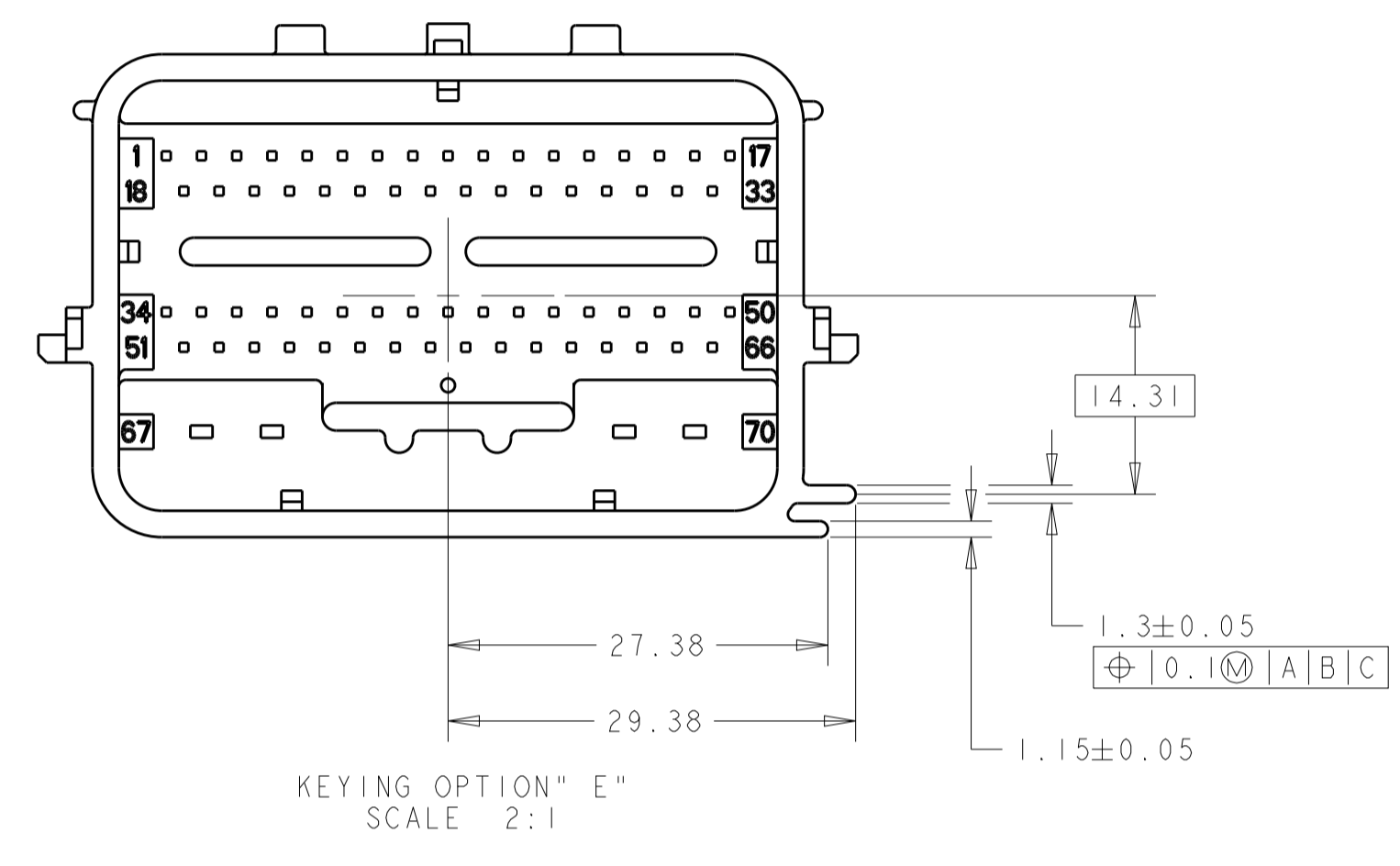
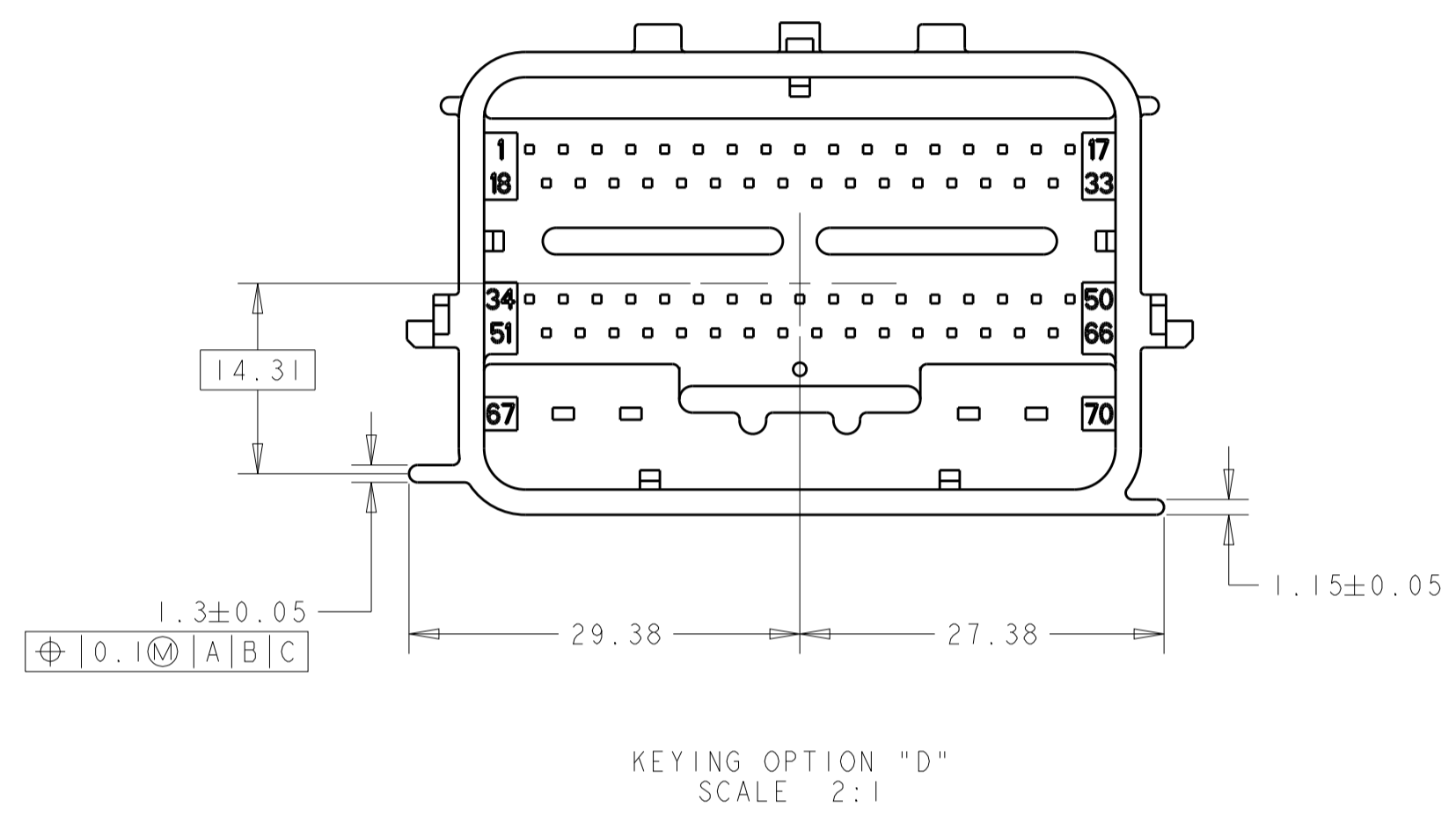
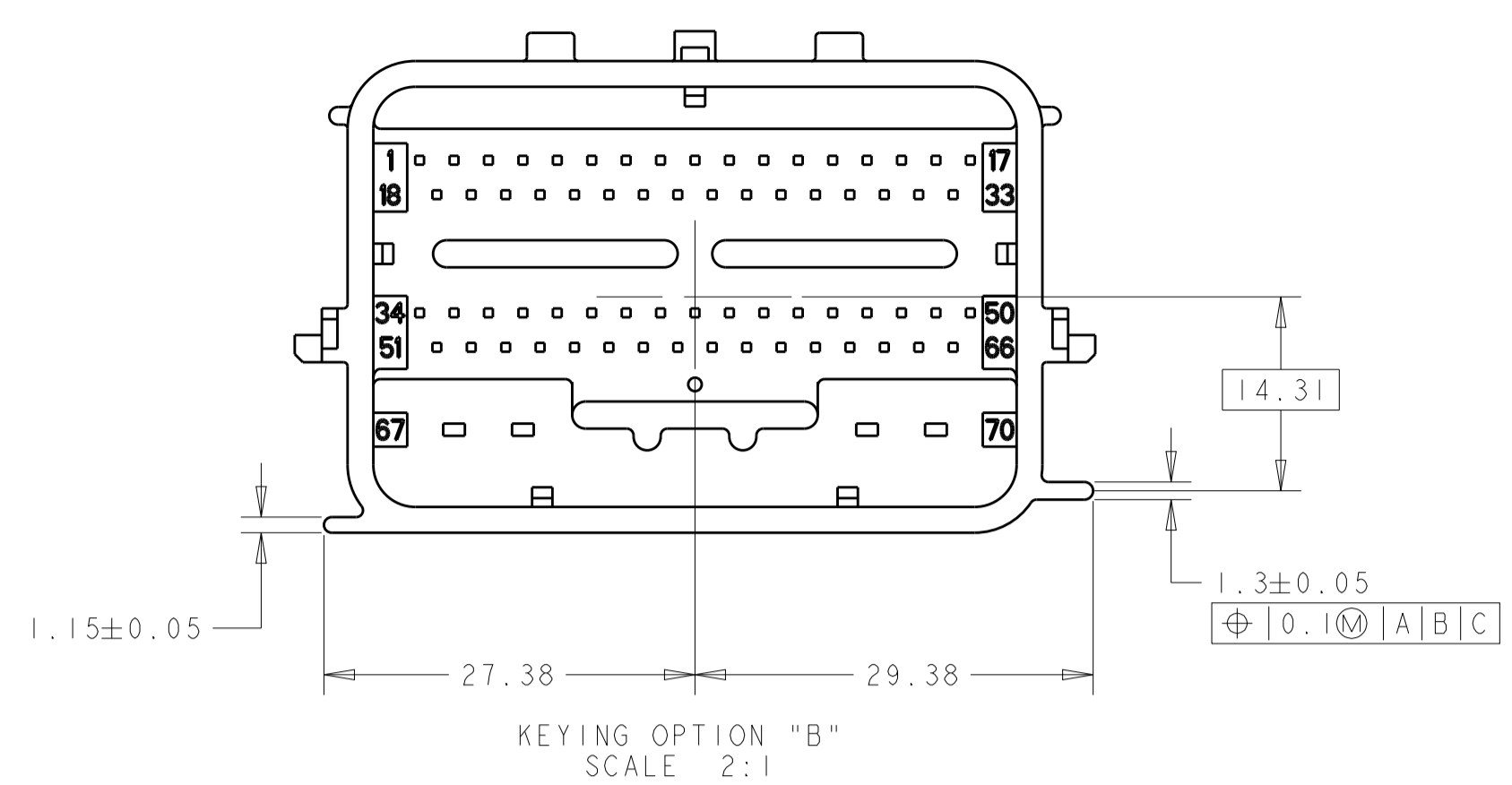
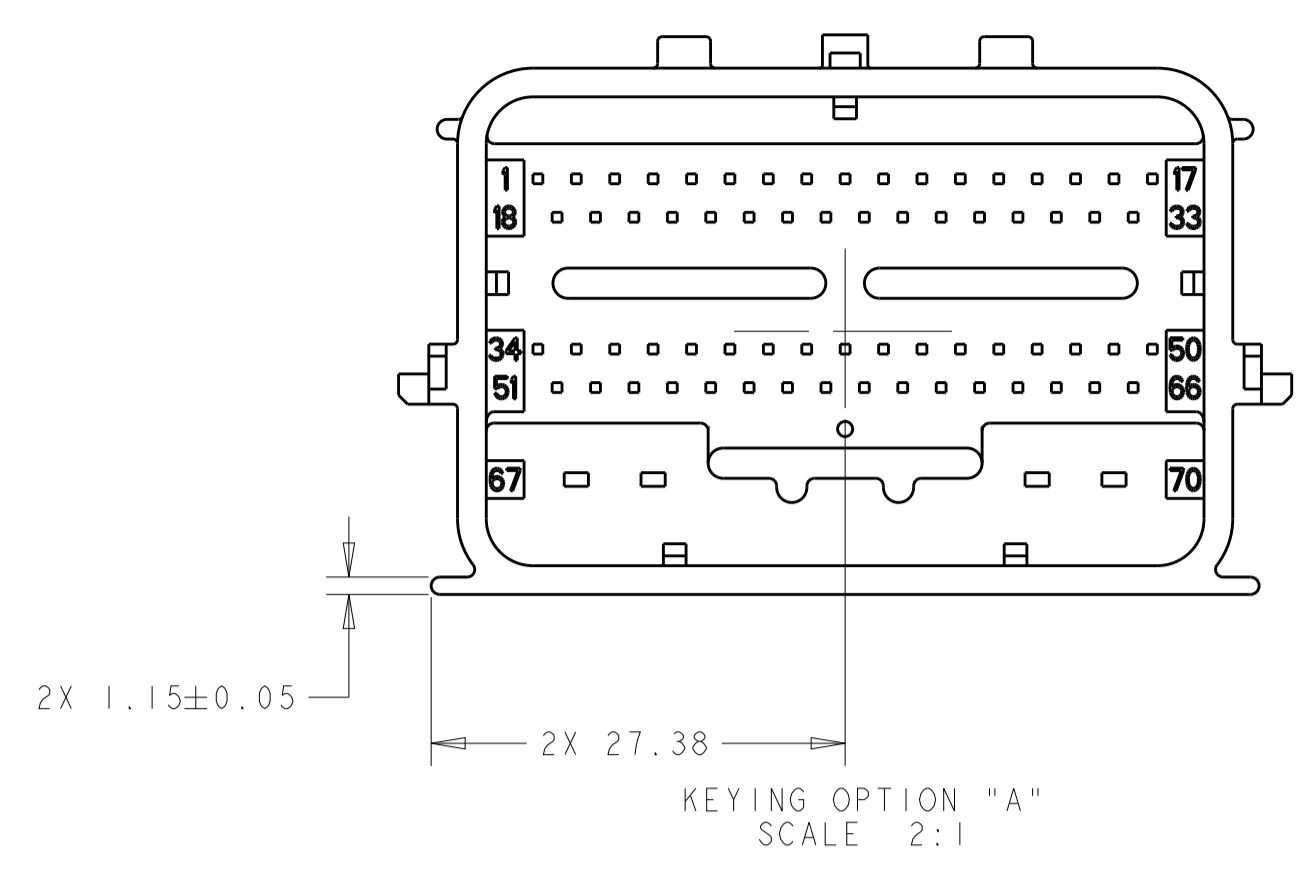


- NOTES: UNLESS OTHERWISE SPECIFIED
- GENERAL TOLERANCE:
 ±0.3 ALL ONE PLACE DIMENSIONS
 ±0.10 ALL TWO PLACE DIMENSIONS
 ±1°00' ALL ANGULAR DIMENSIONS
 - DRAFT ANGLE PERMISSIBLE ONLY WITHIN DRAWING TOLERANCE.
 - SEALING SURFACE, NO WITNESS LINES OF DAMAGE PERMITTED.
 - ALL UNMARKED RADIUS TO BE 0.5 MAX., UNLESS OTHERWISE SPECIFIED
 - VENT HOLE SIZE AND LOCATION IS OPTIONAL.
 - THIS AREA TO REMAIN CLEAR FOR THE HARNESS ASSEMBLY.
 - TERMINAL POSITION IDENTIFICATION.
 - MATES WITH TYCO ELECTRONICS PART# 1438136-*

THIS DRAWING IS A CONTROLLED DOCUMENT.		OWN: R. VESTAL 15APR2005	TE Connectivity												
DIMENSIONS: mm		CHK: T. VALASEK 15APR2005													
TOLERANCES UNLESS OTHERWISE SPECIFIED:		APVD: T. VALASEK 15APR2005	NAME: 70-WAY HARNESS ASSEMBLY												
<table border="1"> <tr><td>0 PLC</td><td>±</td></tr> <tr><td>1 PLC</td><td>±0.3</td></tr> <tr><td>2 PLC</td><td>±0.10</td></tr> <tr><td>3 PLC</td><td>±</td></tr> <tr><td>4 PLC</td><td>±</td></tr> <tr><td>ANGLES</td><td>±1°</td></tr> </table>		0 PLC	±	1 PLC	±0.3	2 PLC	±0.10	3 PLC	±	4 PLC	±	ANGLES	±1°	PRODUCT SPEC: -	SIZE: CAGE CODE: DRAWING NO: A100779C=1438136
0 PLC	±														
1 PLC	±0.3														
2 PLC	±0.10														
3 PLC	±														
4 PLC	±														
ANGLES	±1°														
MATERIAL: -		APPLICATION SPEC: -	RESTRICTED TO: -												
FINISH: -		WEIGHT: -	SCALE: 2:1 SHEET 10 OF 11 REV: 648												
CUSTOMER DRAWING															

HEADER INTERFACE KEYING OPTIONS

REVISIONS				
P.	LTN.	DESCRIPTION	DATE	OWN. APVD.
-	-	SEE SHEET 1	-	-



THIS DRAWING IS A CONTROLLED DOCUMENT.		OWN: R. VESTAL 15APR2005	TE Connectivity
DIMENSIONS: mm		CHK: T. VALASEK 15APR2005	
TOLERANCES UNLESS OTHERWISE SPECIFIED:		APVD: T. VALASEK 15APR2005	NAME: 70-WAY HARNESS ASSEMBLY
0 PLC ±0.3	1 PLC ±0.10	PRODUCT SPEC	SIZE: CAGE CODE DRAWING NO.
2 PLC ±0.10	3 PLC ±0.10	APPLICATION SPEC	RESTRICTED TO
4 PLC ±0.10	ANGLES ±0.1°	WEIGHT	A100779C=1438136
MATERIAL	FINISH	CUSTOMER DRAWING	SCALE 2:1 SHEET 11 OF 11 REV 648

Mouser Electronics

Authorized Distributor

Click to View Pricing, Inventory, Delivery & Lifecycle Information:

[TE Connectivity:](#)

[1-1438136-0](#)