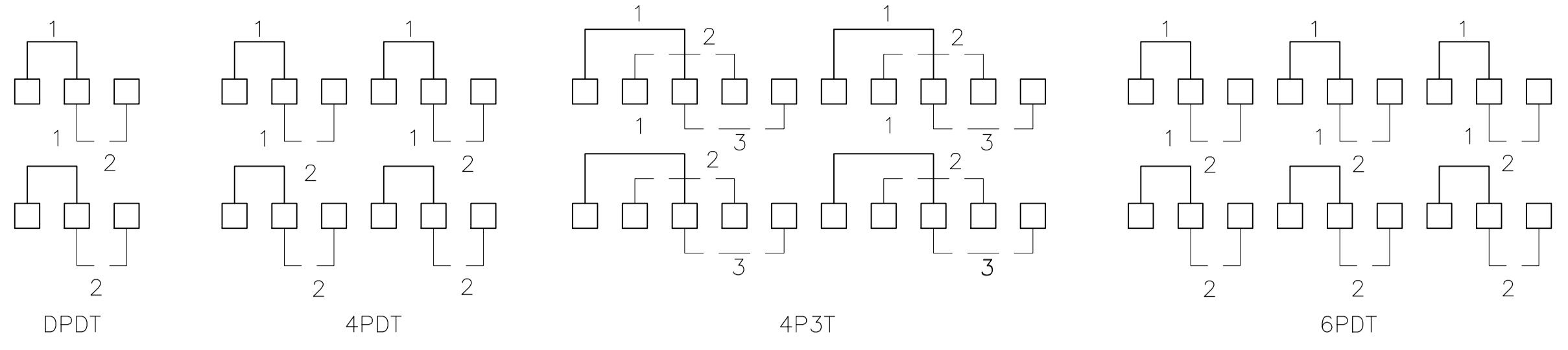
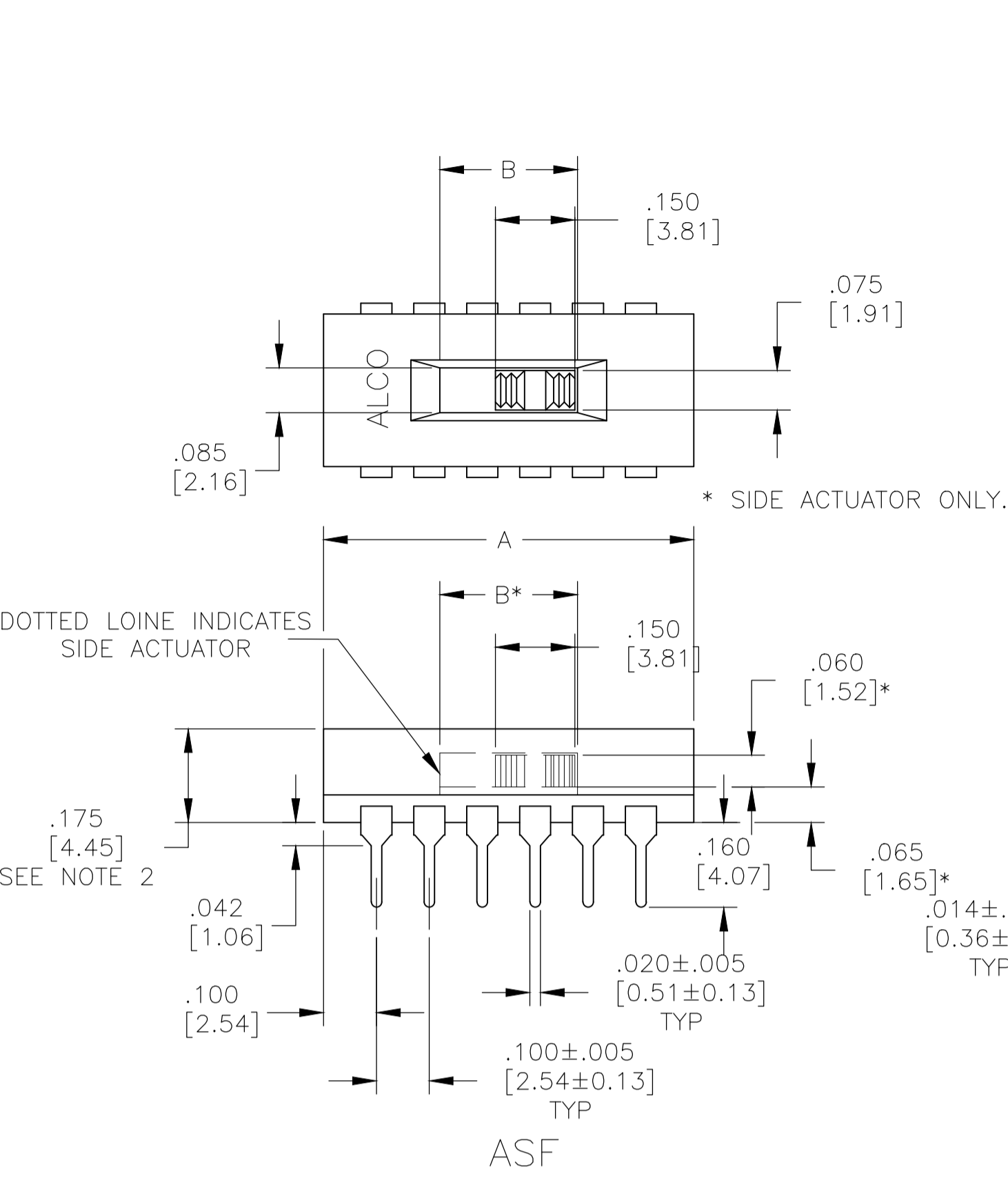
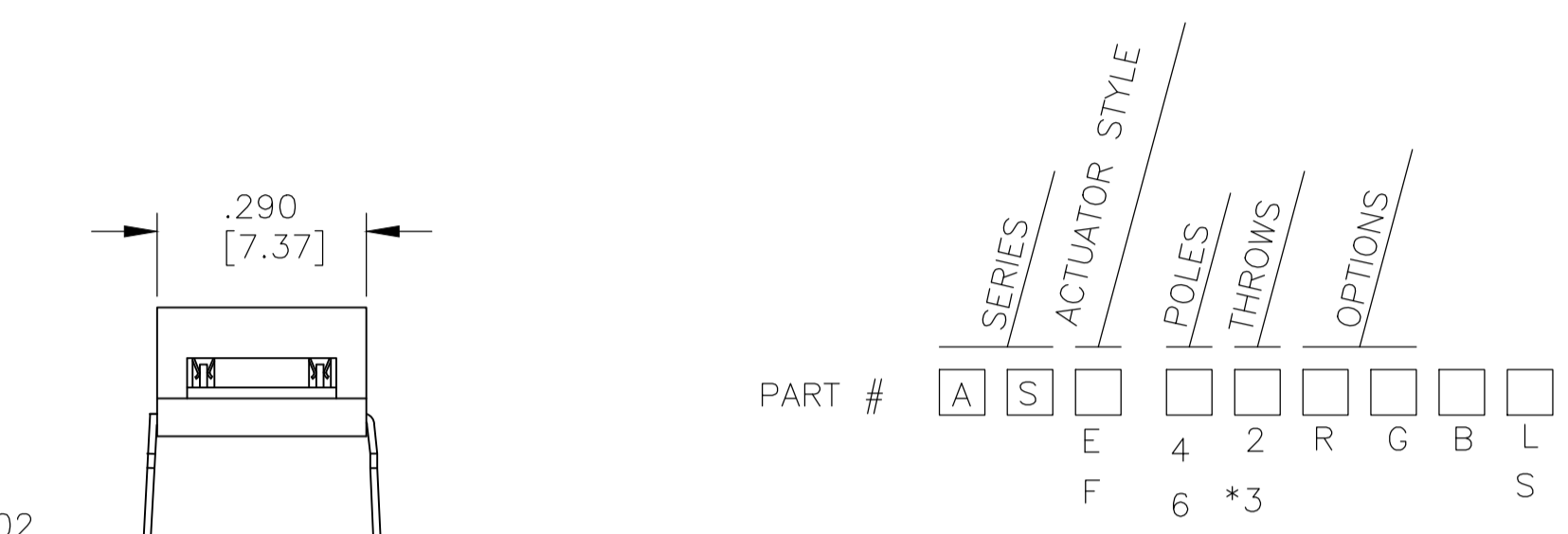
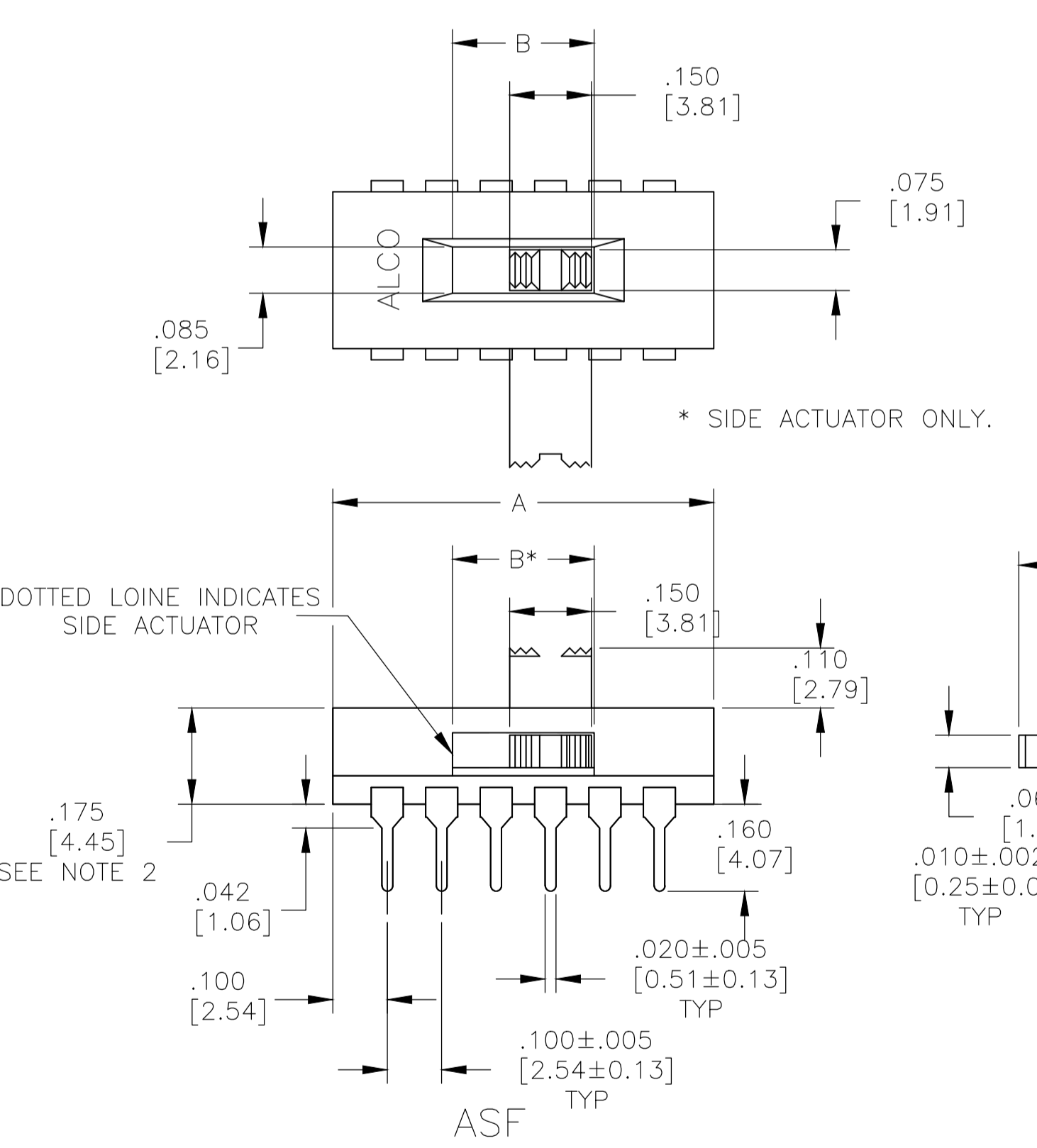


REVISIONS				
P	CTR	DESCRIPTION	DATE	OWN APVD
K2		REVISED PER ECO-11-004587	11MAR11	RK HMR
K3		REVISED PER ECO-16-018096	19JUL2017	RK PO



CIRCUIT DIAGRAMS



SPECIFICATIONS:

**MATERIAL:**  
 BASE, COVER: PCT UL94V-0, BLACK.  
 MOVABLE CONTACT: COPPER ALLOY - GOLD OR SILVER OVER NICKEL  
 FIXED CONTACT/TERMINAL: COPPER ALLOY.  
 PLATING: GOLD OR SILVER OVER NICKEL FINISH.

**ELECTRICAL:**  
 CONTACT RATING: SILVER: 300 MILLIAMPS @ 115 VAC.  
 CONTACT RESISTANCE: INITIAL 40 MILLIOHMS MAX.  
 INSULATION RESISTANCE: 1000 MEGOHMS MAX.  
 DIELECTRIC STRENGTH: 600 VOLTS RMS AT SEA LEVEL.  
 LIFE EXPECTANCY: 15,000 CYCLES MIN.

**ENVIRONMENTAL:**  
 OPERATING TEMPERATURE: -40° TO 80°C  
 HIGH TEMPERATURE RESISTANCE: WILL WITHSTAND VAPOR PHASE  
 PROCESS CLEANING: WILL WITHSTAND AQUEOUS OR SOLVENT  
 SOLDERABILITY PER EIA 364-52 CLASS 2 CATEGORY 1

NOTES: UNLESS OTHERWISE SPECIFIED

- ALL SWITCHES HAVE OPEN ENDS EXCEPT TOP FLUSH ACTUATOR, WHICH COMES STANDARD WITH TAPE SEAL.
  - STANDARD PRODUCT (AFTER WELD) HEIGHT IS ALLOWED UP TO .180 IN. ALL SWITCH "SPECIALS" MUST MAINTAIN .178 MAX. (AFTER WELD) HEIGHT.
  - TAPE AND REEL PER EIA 481 OR 22" ANTI-STATIC TUBES
- △ SAME AS ASF22LTR WITHOUT TAPE SEAL

SWITCH NO.	DIM A	DIM B	DIM C	DIM D
AS* - 43****	1.100 [27.94]	.360 [9.14]	.900 [22.86]	.230 [5.82]
AS* - 62****	1.000 [25.40]	.260 [6.60]	.800 [20.32]	.230 [5.82]
AS* - 42****	.700 [17.78]	.260 [6.60]	.500 [12.70]	.230 [5.82]
AS* - 22****	.400 [10.16]	.260 [6.60]	.200 [5.08]	.105 [2.67]

\* = OPTIONS (SEE CHART)

UPRIGHT, THROUGH HOLE, EXTENDED ACTUATOR

P/N	T&B MODEL	FUNCTION
1437581-2	ASE22	DPDT
1437581-4	ASE22G	DPDT
1-1437581-4	ASE42	4PDT
OBSOLETE 1-1437581-6	ASE42G	4PDT
OBSOLETE 2-1437581-5	ASE43	4P3T
OBSOLETE 2-1437581-6	ASE43G	4P3T
3-1437581-1	ASE62	6PDT
OBSOLETE 3-1437581-3	ASE62G	6PDT

RIGHT ANGLE, THROUGH HOLE, EXTENDED ACTUATOR

P/N	T&B MODEL	FUNCTION
OBSOLETE 1437581-8	ASE22R	DPDT
1437581-9	ASE22RG	DPDT
OBSOLETE 1-1437581-9	ASE42R	4PDT
OBSOLETE 2-1437581-0	ASE42RG	4PDT
OBSOLETE 2-1437581-9	ASE43R	4P3T
OBSOLETE 3-1437581-0	ASE43RG	4P3T
OBSOLETE 3-1437581-6	ASE62R	6PDT
OBSOLETE 3-1437581-7	ASE62RG	6PDT

UPRIGHT, SURFACE MOUNT "L" TYPE, EXTENDED ACTUATOR

P/N	T&B MODEL	FUNCTION
OBSOLETE 1437581-5	ASE22GL	DPDT
OBSOLETE 1437581-7	ASE22L	DPDT
OBSOLETE 1-1437581-7	ASE42GL	4PDT
OBSOLETE 1-1437581-8	ASE42L	4PDT
OBSOLETE 2-1437581-7	ASE43GL	4P3T
OBSOLETE 2-1437581-8	ASE43L	4P3T
OBSOLETE 3-1437581-4	ASE62GL	6PDT
3-1437581-5	ASE62L	6PDT

UPRIGHT, SURFACE MOUNT "S" TYPE, EXTENDED ACTUATOR

P/N	T&B MODEL	FUNCTION
1437581-6	ASE22GS	DPDT
OBSOLETE 1-1437581-3	ASE22S	DPDT
OBSOLETE 2-1437581-4	ASE42GS	4PDT
	ASE42S	4PDT
	ASE43GS	4P3T
	ASE43S	4P3T
	ASE62GS	6PDT
	ASE62S	6PDT

RIGHT ANGLE, SURFACE MOUNT "L" TYPE, EXTENDED ACTUATOR

P/N	T&B MODEL	FUNCTION
	ASE22RGL	DPDT
OBSOLETE 1-1437581-1	ASE22RL	DPDT
OBSOLETE 2-1437581-1	ASE42RGL	4PDT
2-1437581-2	ASE42RL	4PDT
	ASE43RGL	4P3T
	ASE43RL	4P3T
OBSOLETE 3-1437581-8	ASE62RGL	6PDT
OBSOLETE 3-1437581-9	ASE62RL	6PDT

RIGHT ANGLE, SURFACE MOUNT "S" TYPE, EXTENDED ACTUATOR

P/N	T&B MODEL	FUNCTION
OBSOLETE 1-1437581-0	ASE22RGS	DPDT
OBSOLETE 1-1437581-2	ASE22RS	DPDT
	ASE42RGS	4PDT
OBSOLETE 2-1437581-3	ASE42RS	4PDT
	ASE43RGS	4P3T
	ASE43RS	4P3T
	ASE62RGS	6PDT
	ASE62RS	6PDT

UPRIGHT, THROUGH HOLE, FLUSH ACTUATOR

P/N	T&B MODEL	FUNCTION
5-1437581-6	ASF22	DPDT
OBSOLETE 5-1437581-8	ASF22G	DPDT
OBSOLETE 6-1437581-8	ASF42	4PDT
OBSOLETE 7-1437581-0	ASF42G	4PDT
OBSOLETE 7-1437581-8	ASF43	4P3T
OBSOLETE 7-1437581-9	ASF43G	4P3T
OBSOLETE 8-1437581-4	ASF62	6PDT
OBSOLETE 8-1437581-6	ASF62G	6PDT

RIGHT ANGLE, THROUGH HOLE, FLUSH ACTUATOR

P/N	T&B MODEL	FUNCTION
OBSOLETE 6-1437581-2	ASF22R	DPDT
OBSOLETE 6-1437581-3	ASF22RG	DPDT
OBSOLETE 7-1437581-3	ASF42R	4PDT
OBSOLETE 7-1437581-4	ASF42RG	4PDT
	ASF43R	4P3T
OBSOLETE 8-1437581-2	ASF43RG	4P3T
OBSOLETE 8-1437581-9	ASF62R	6PDT
	ASF62RG	6PDT

UPRIGHT, SURFACE MOUNT "L" TYPE, FLUSH ACTUATOR

P/N	T&B MODEL	FUNCTION
OBSOLETE 1571007-1	ASF22LTR	DPDT
OBSOLETE 2-1437582-0	ASF71260	DPDT
5-1437581-9	ASF22GL	DPDT
6-1437581-1	ASF22L	DPDT
OBSOLETE 1571007-4	ASF22GLTR	DPDT
OBSOLETE 7-1437581-1	ASF42GL	4PDT
7-1437581-2	ASF42L	4PDT
OBSOLETE 8-1437581-0	ASF43GL	4P3T
OBSOLETE 8-1437581-1	ASF43L	4P3T
OBSOLETE 8-1437581-7	ASF62GL	6PDT
OBSOLETE 8-1437581-8	ASF62L	6PDT

UPRIGHT, SURFACE MOUNT "S" TYPE, FLUSH ACTUATOR

P/N	T&B MODEL	FUNCTION
OBSOLETE 6-1437581-0	ASF22GS	DPDT
OBSOLETE 6-1437581-7	ASF22S	DPDT
OBSOLETE 1571007-2	ASF22STR	DPDT
	ASF42GS	4PDT
OBSOLETE 1571007-3	ASF42STR	4PDT
OBSOLETE 7-1437581-7	ASF42S	4PDT
	ASF43GS	4P3T
OBSOLETE 8-1437581-3	ASF43S	4P3T
	ASF62GS	6PDT
OBSOLETE 9-1437581-4	ASF62S	6PDT

RIGHT ANGLE, SURFACE MOUNT "L" TYPE, FLUSH ACTUATOR

P/N	T&B MODEL	FUNCTION
6-1437581-4	ASF22RGL	DPDT
	ASF22RL	DPDT
OBSOLETE 7-1437581-5	ASF42RGL	4PDT
OBSOLETE 7-1437581-6	ASF42RL	4PDT
	ASF43RGL	4P3T
	ASF43RL	4P3T
OBSOLETE 9-1437581-2	ASF62RGL	6PDT
	ASF62RL	6PDT

RIGHT ANGLE, SURFACE MOUNT "S" TYPE, FLUSH ACTUATOR

P/N	T&B MODEL	FUNCTION
OBSOLETE 6-1437581-5	ASF22RGS	DPDT
OBSOLETE 6-1437581-6	ASF22RS	DPDT
	ASF42RGS	4PDT
	ASF42RS	4PDT
	ASF43RGS	4P3T
	ASF43RS	4P3T
OBSOLETE 9-1437581-3	ASF62RGS	6PDT
	ASF62RS	6PDT

THIS DRAWING IS A CONTROLLED DOCUMENT. DWG: M. BINNER 12JAN04

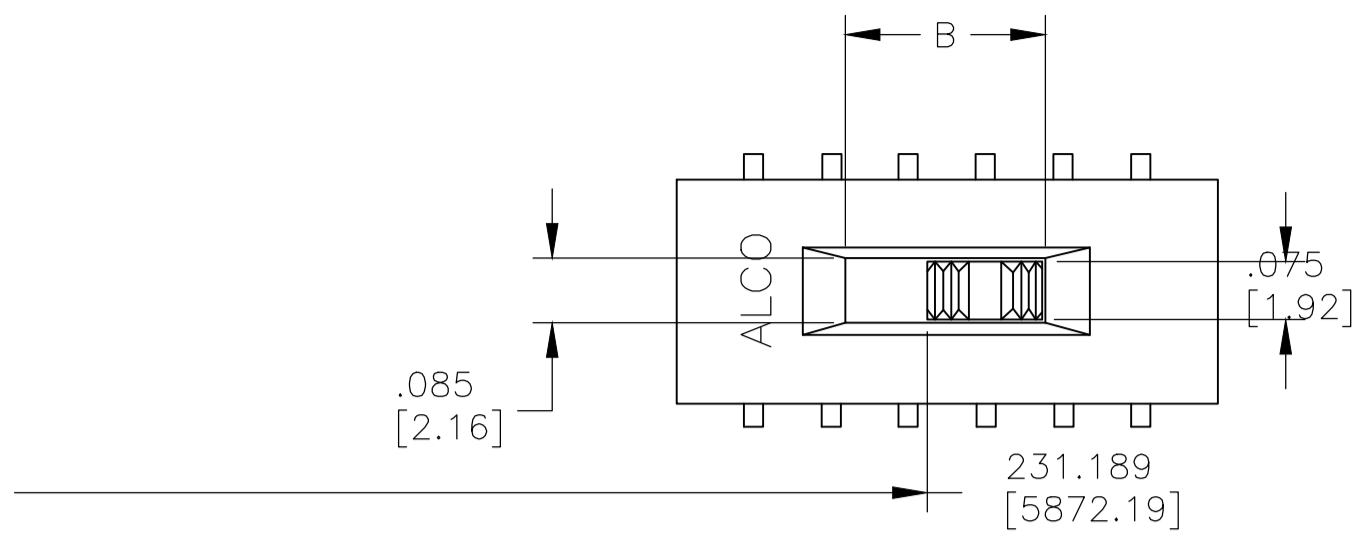
TE Connectivity

SLIDE SWITCH ASE/ASF, AUTO-INSERTABLE, THRU-HOLE AND SURFACE MOUNT

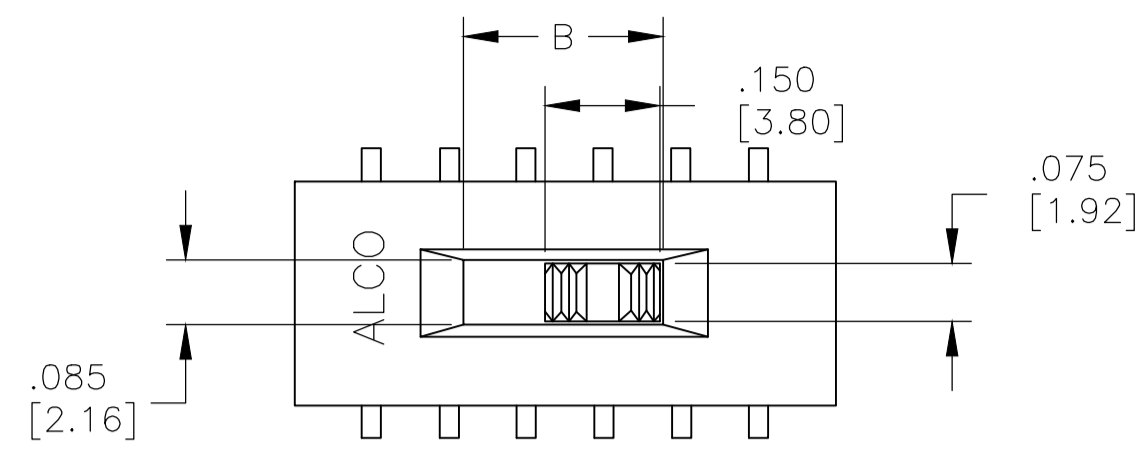
SIZE: A1 CAGE CODE: 00779 DRAWING NO: 1437581-2

SCALE: 4:1 SHEET: 1 OF 2 REV: K3

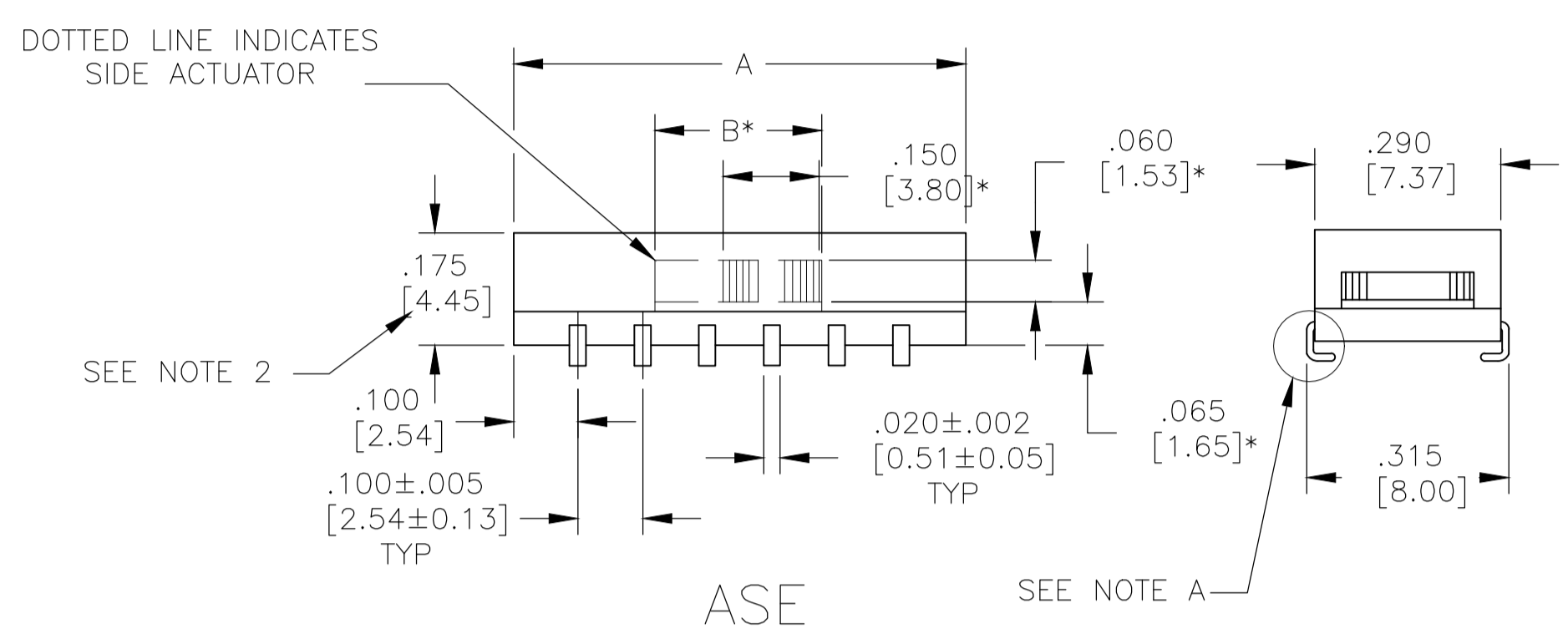
REVISIONS				
P	LTR	DESCRIPTION	DATE	APPV
-	-	SEE SHEET 1	-	-



\* SIDE ACTUATOR ONLY.

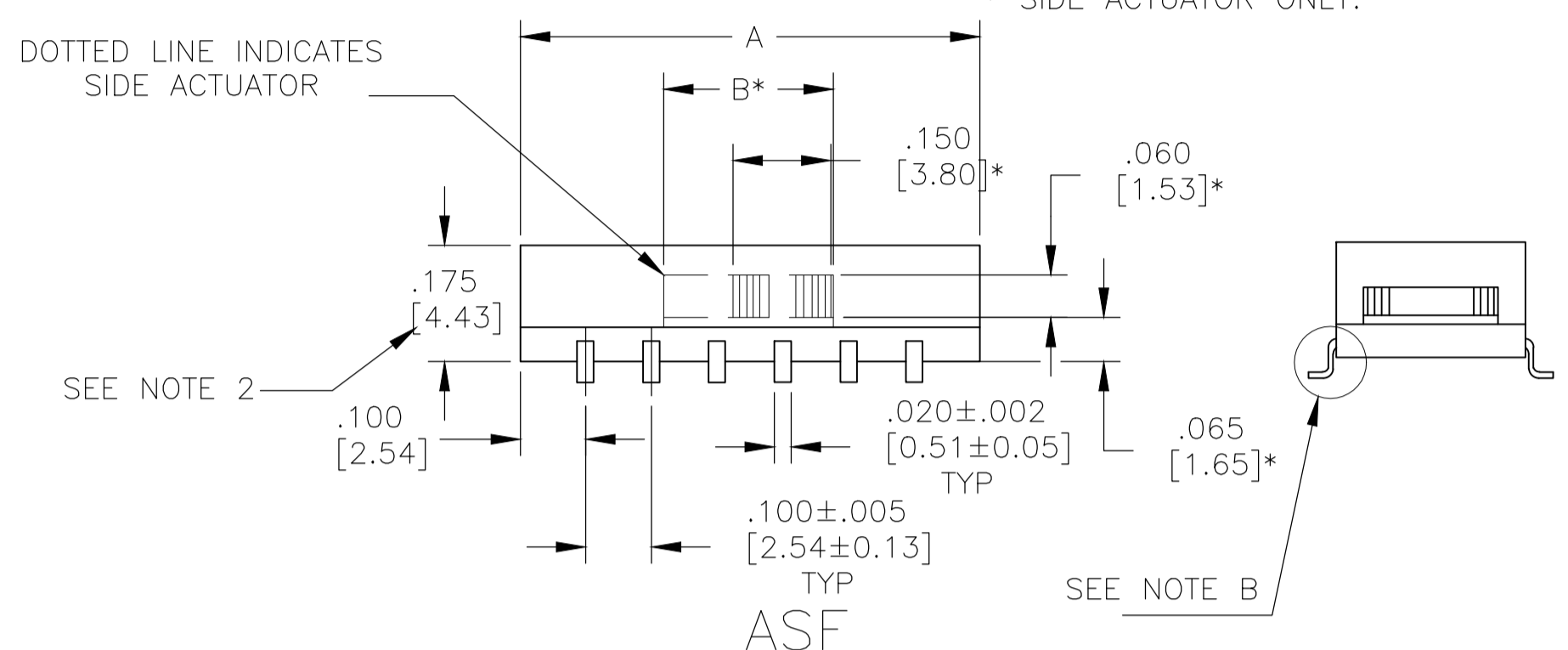


\* SIDE ACTUATOR ONLY.



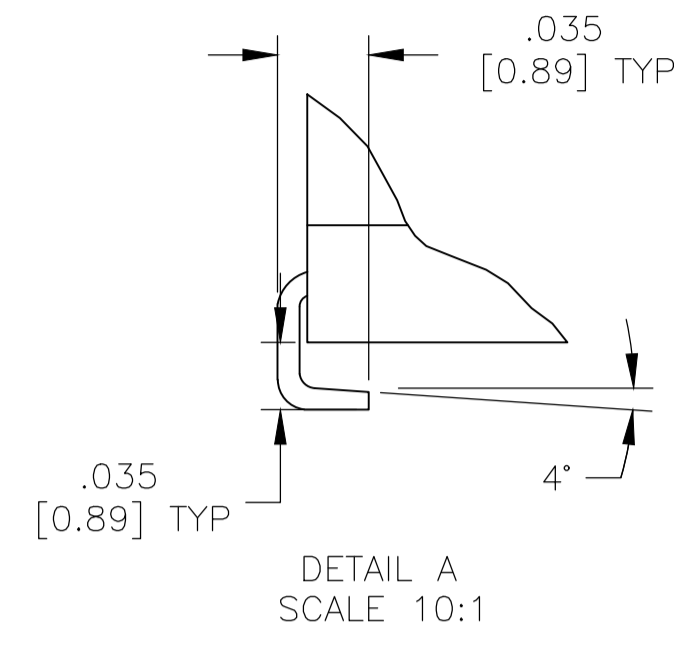
ASE

SEE NOTE A

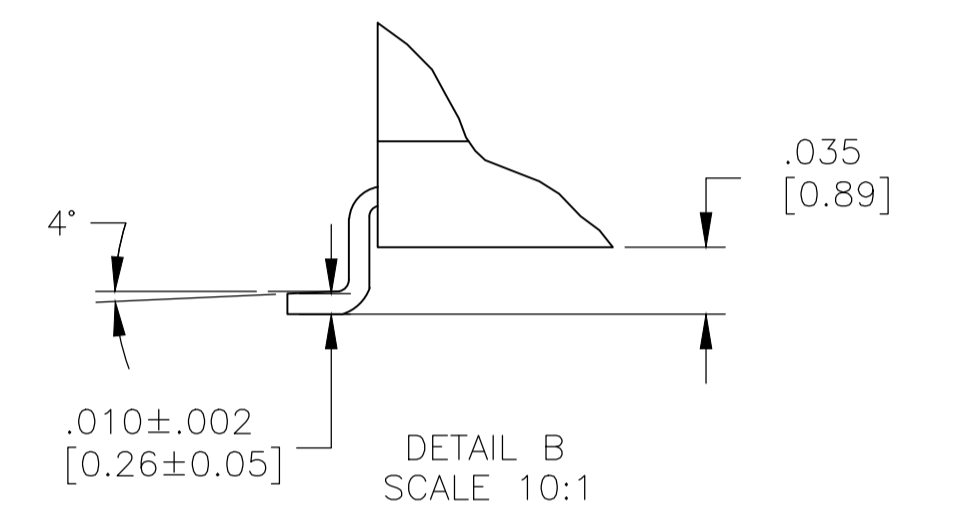


ASF

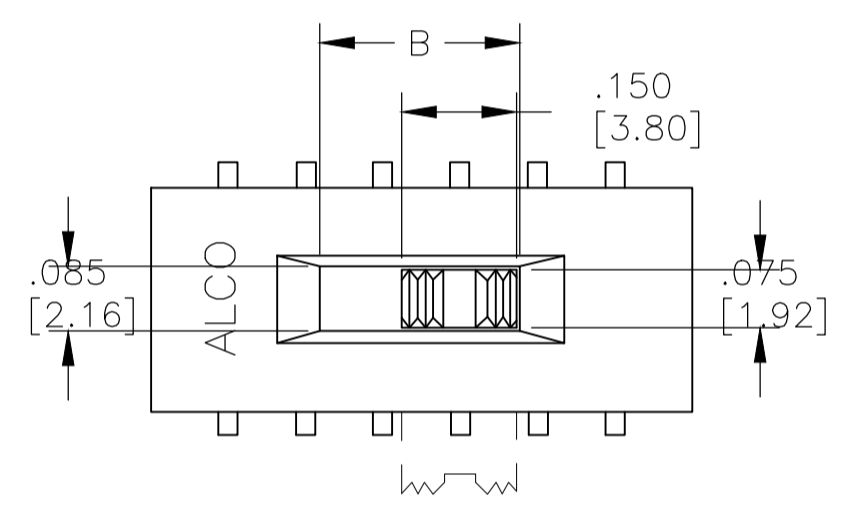
SEE NOTE B



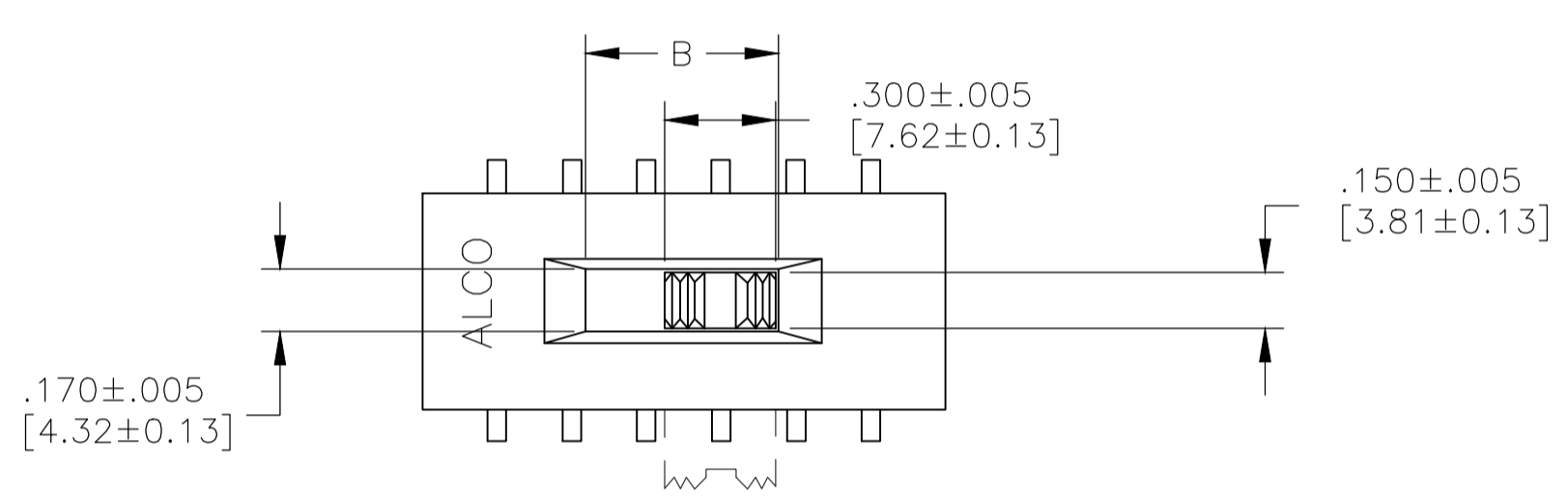
DETAIL A  
SCALE 10:1



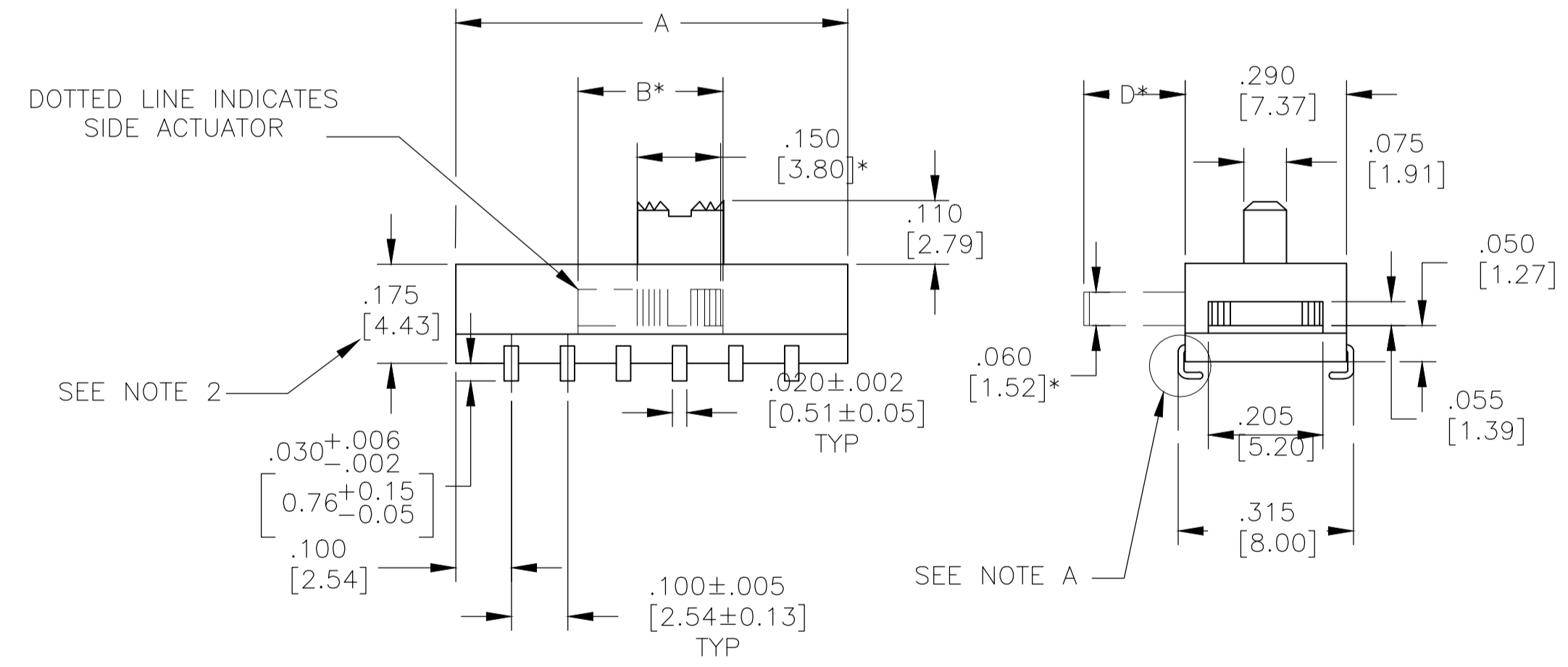
DETAIL B  
SCALE 10:1



\* SIDE ACTUATOR ONLY.

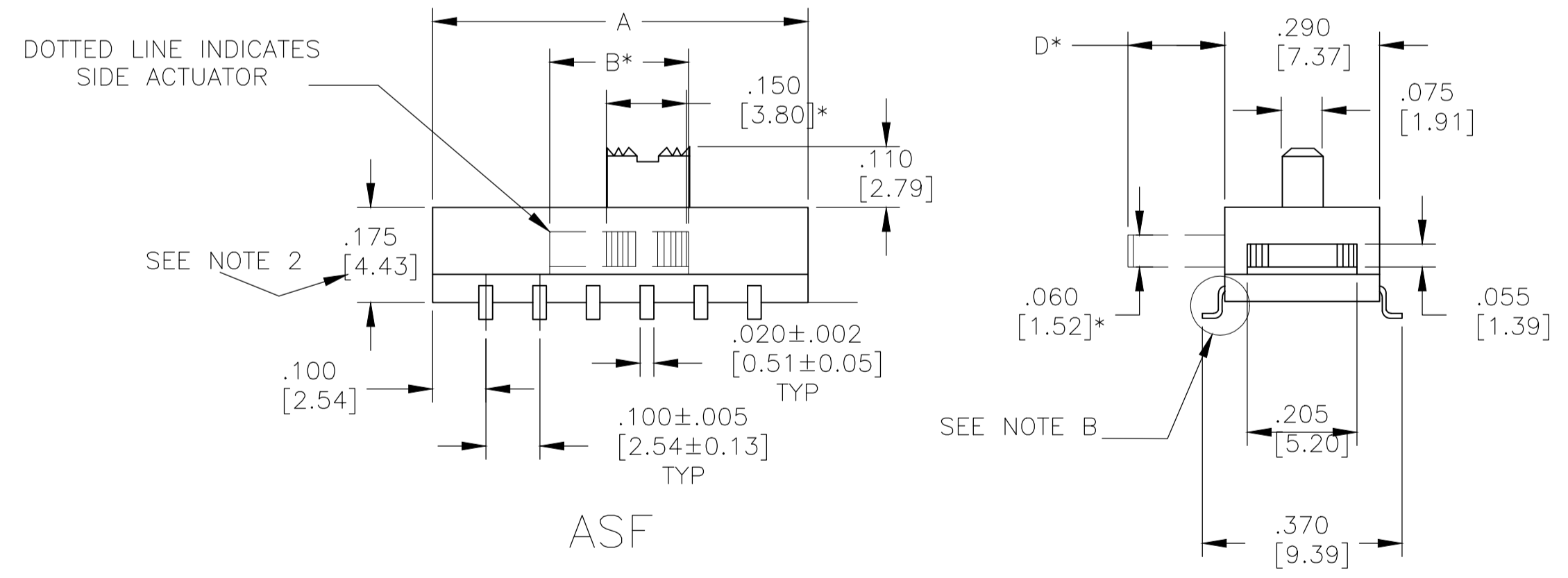


\* SIDE ACTUATOR ONLY.



ASE

SEE NOTE A



ASF

SEE NOTE B

REVERSE "L" TYPE SURFACE MOUNT

"L" TYPE SURFACE MOUNT

THIS DRAWING IS A CONTROLLED DOCUMENT.		DIN	M. BINNER	12JAN04	TE Connectivity
DIMENSIONS: INCHES [mm]		CHK	-	-	
TOLERANCES UNLESS OTHERWISE SPECIFIED:		APVD	-	-	NAME
0 PLC ± -		PRODUCT SPEC	-	-	SLIDE SWITCH ASE/ASF, AUTO-INSERTABLE, THRU-HOLE AND SURFACE MOUNT
1 PLC ± -		APPLICATION SPEC	-	-	SIZE
2 PLC ± -		WEIGHT	-	-	A1
3 PLC ± .01(0.25)		CAGE CODE	-	-	00779
4 PLC ± ± 1°		DRAWING NO	-	-	1437581-2
MATERIAL SEE SPECIFICATIONS		FINISH	-	-	RESTRICTED TO
CUSTOMER DRAWING		SCALE	4:1	SHEET	2 OF 2
		REV	K3		

# Mouser Electronics

Authorized Distributor

Click to View Pricing, Inventory, Delivery & Lifecycle Information:

[TE Connectivity:](#)

[ASF42](#)