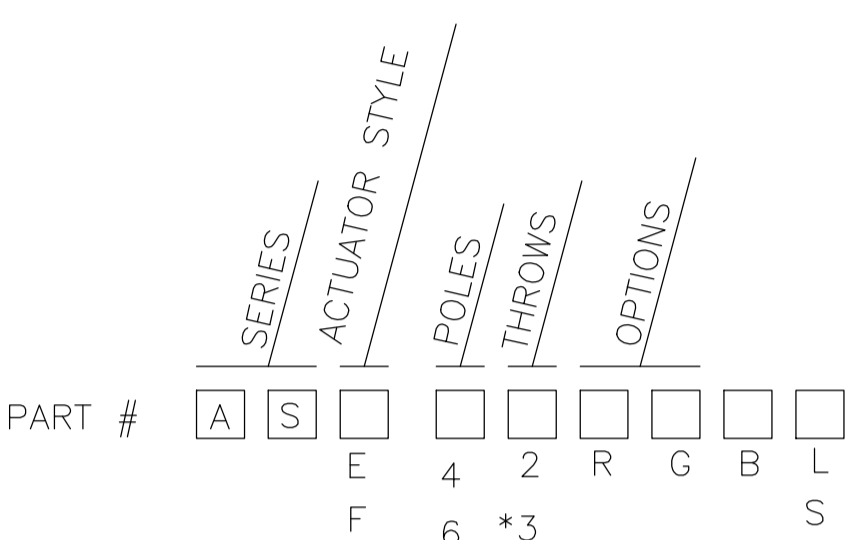
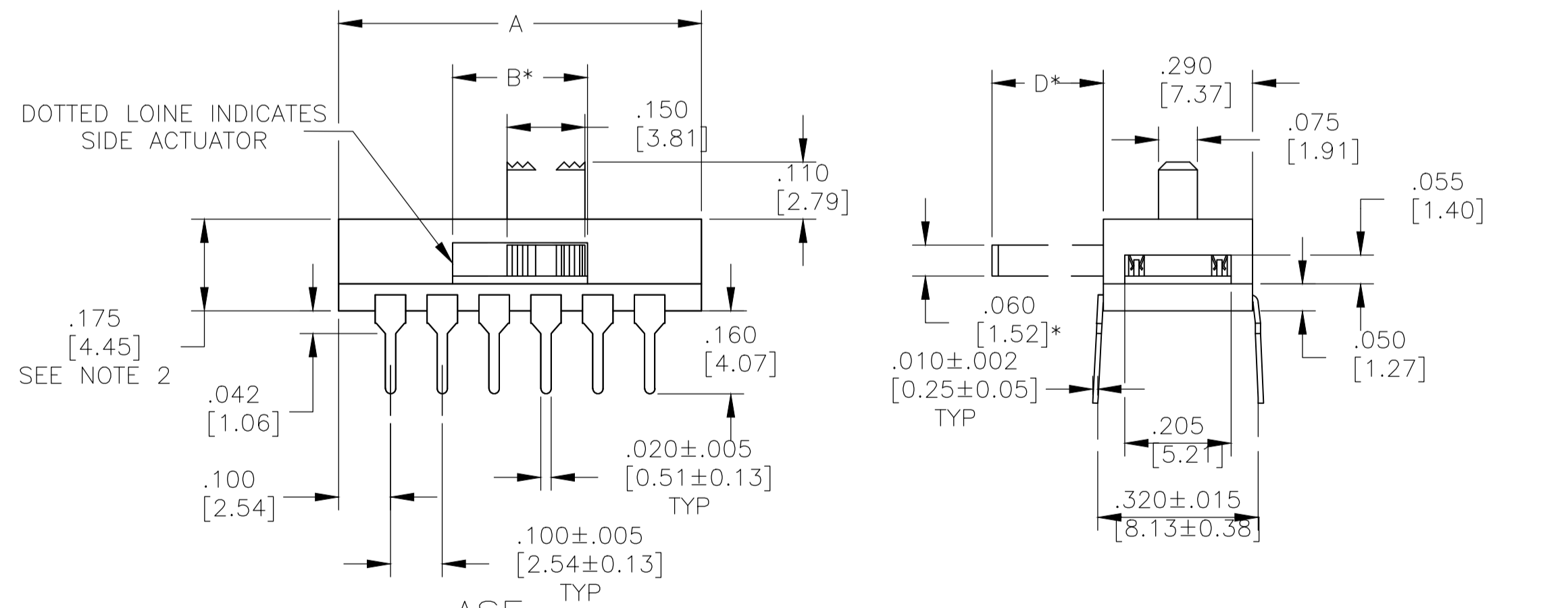
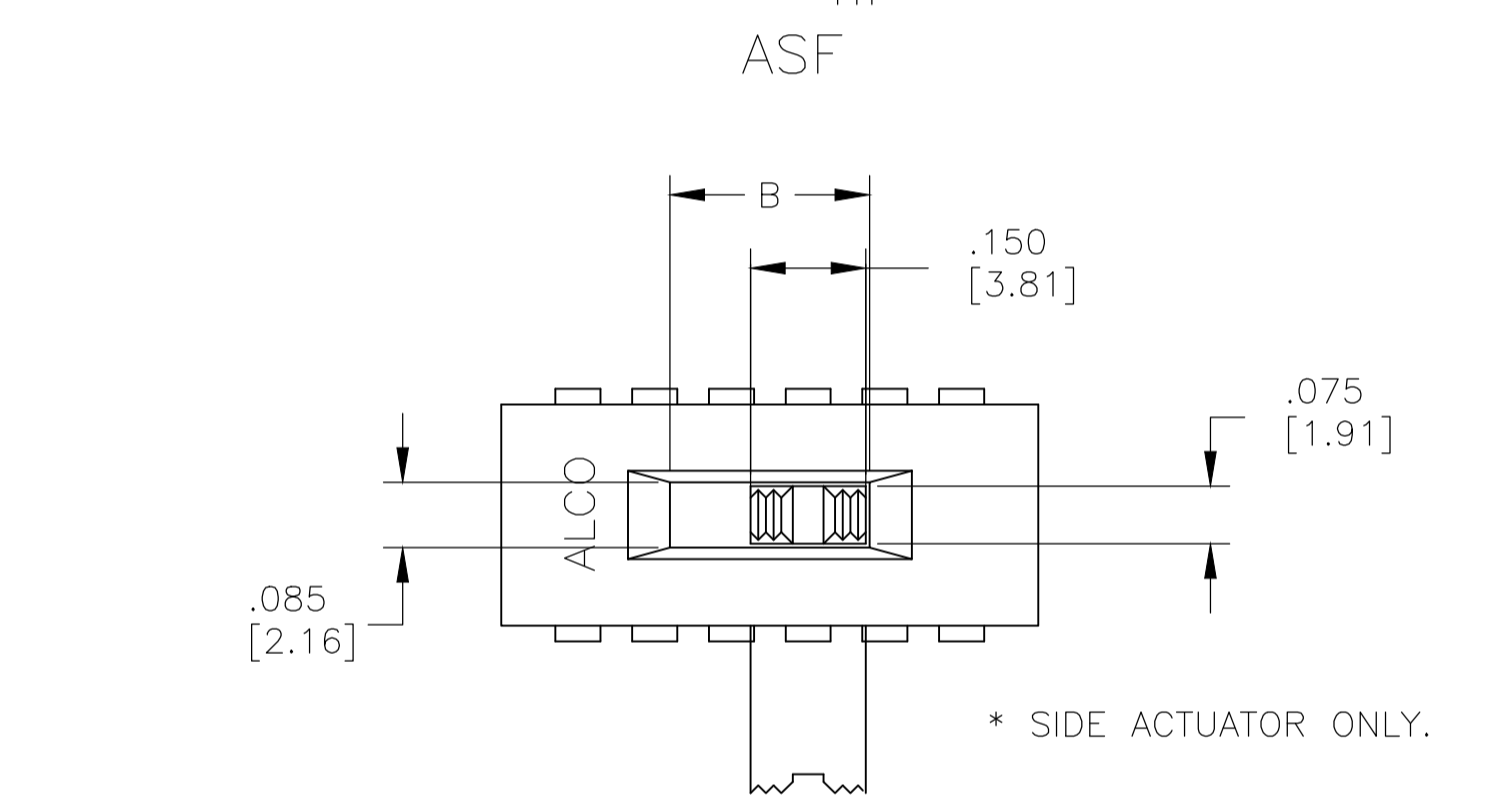
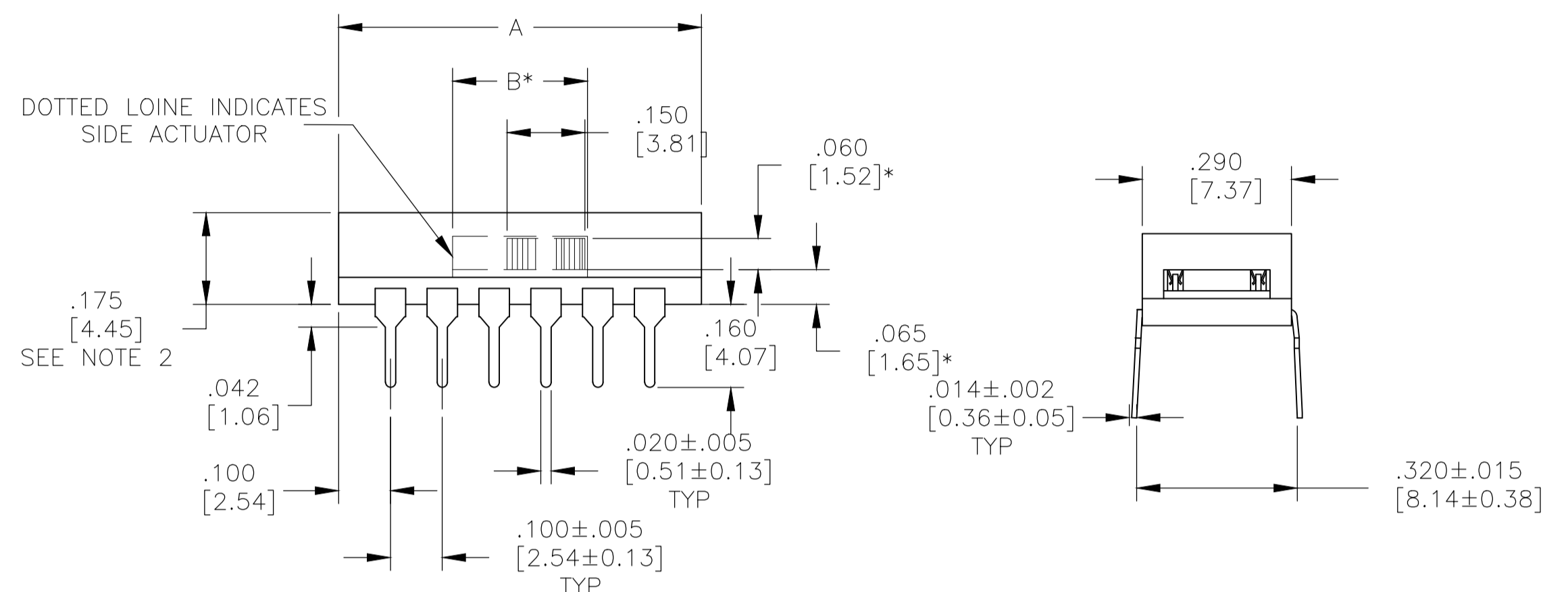
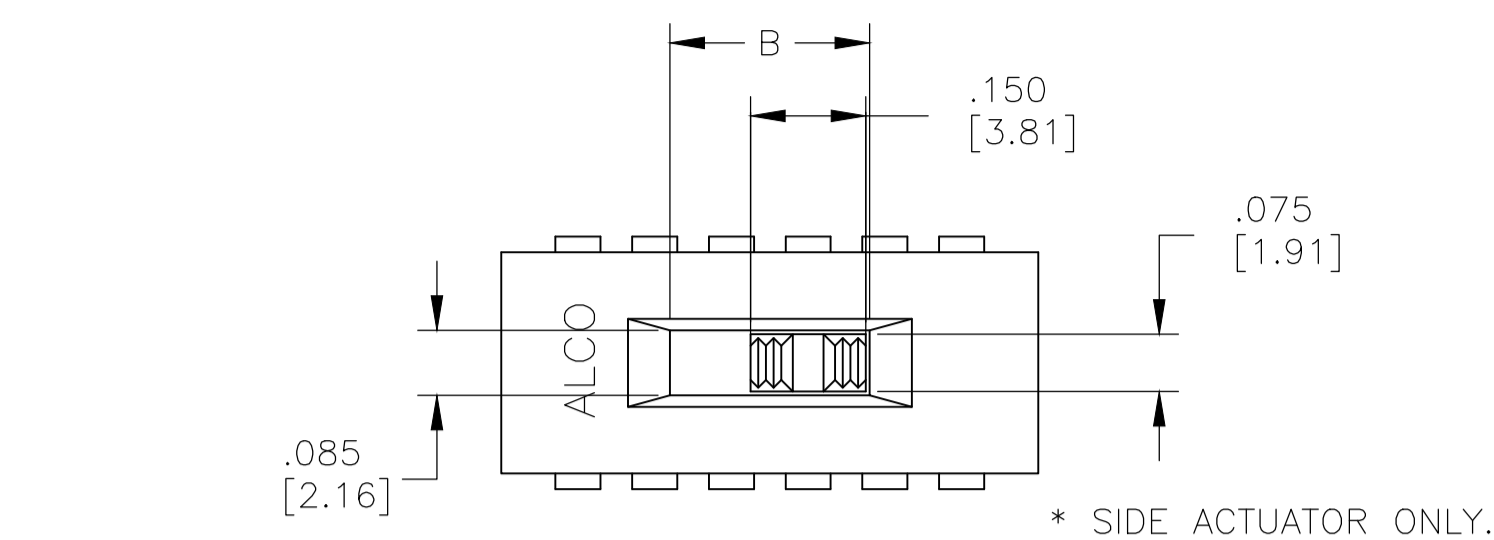
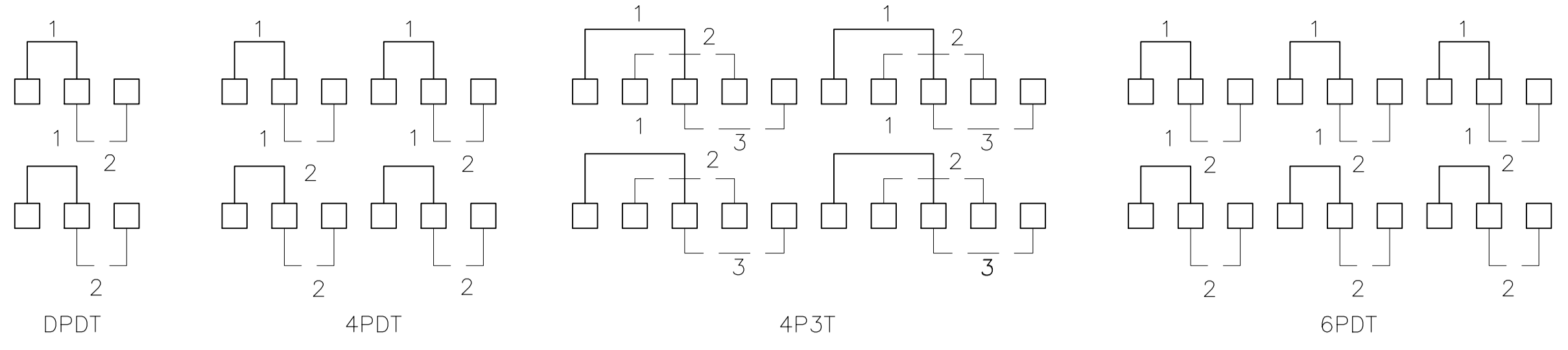


REVISIONS				
P	LTR	DESCRIPTION	DATE	OWN APVD
K2		REVISED PER ECO-11-004587	11MAR11	RK HMR
K3		REVISED PER ECO-16-018096	19JUL2017	RK PO



SPECIFICATIONS:

MATERIAL:
 BASE, COVER: PCT UL94V-0, BLACK.
 MOVABLE CONTACT: COPPER ALLOY - GOLD OR SILVER OVER NICKEL.
 FIXED CONTACT/TERMINAL: COPPER ALLOY.
 PLATING: GOLD OR SILVER OVER NICKEL FINISH.

ELECTRICAL:
 CONTACT RATING: SILVER: 300 MILLIAMPS @ 115 VAC.
 CONTACT RESISTANCE: INITIAL 40 MILLIOHMS MAX.
 INSULATION RESISTANCE: 1000 MEGOHMS MAX.
 DIELECTRIC STRENGTH: 600 VOLTS RMS AT SEA LEVEL.
 LIFE EXPECTANCY: 15,000 CYCLES MIN.

ENVIRONMENTAL:
 OPERATING TEMPERATURE: -40° TO 80°C
 HIGH TEMPERATURE RESISTANCE: WILL WITHSTAND VAPOR PHASE
 PROCESS CLEANING: WILL WITHSTAND AQUEOUS OR SOLVENT
 SOLDERABILITY PER EIA 364-52 CLASS 2 CATEGORY 1

- NOTES: UNLESS OTHERWISE SPECIFIED
1. ALL SWITCHES HAVE OPEN ENDS EXCEPT TOP FLUSH ACTUATOR, WHICH COMES STANDARD WITH TAPE SEAL.
 2. STANDARD PRODUCT (AFTER WELD) HEIGHT IS ALLOWED UP TO .180 IN. ALL SWITCH "SPECIALS" MUST MAINTAIN .178 MAX. (AFTER WELD) HEIGHT.
 3. TAPE AND REEL PER EIA 481 OR 22" ANTI-STATIC TUBES
- △ SAME AS ASF22LTR WITHOUT TAPE SEAL

AS* - 43****	1.100 [27.94]	.360 [9.14]	.900 [22.86]	.230 [5.82]
AS* - 62****	1.000 [25.40]	.260 [6.60]	.800 [20.32]	.230 [5.82]
AS* - 42****	.700 [17.78]	.260 [6.60]	.500 [12.70]	.230 [5.82]
AS* - 22****	.400 [10.16]	.260 [6.60]	.200 [5.08]	.105 [2.67]
SWITCH NO.	DIM A	DIM B	DIM C	DIM D

* = OPTIONS (SEE CHART)

UPRIGHT, THROUGH HOLE, EXTENDED ACTUATOR

P/N	T&B MODEL	FUNCTION
1437581-2	ASE22	DPDT
1437581-4	ASE22G	DPDT
1-1437581-4	ASE42	4PDT
OBSOLETE 1-1437581-6	ASE42G	4PDT
OBSOLETE 2-1437581-5	ASE43	4P3T
OBSOLETE 2-1437581-6	ASE43G	4P3T
OBSOLETE 3-1437581-1	ASE62	6PDT
OBSOLETE 3-1437581-3	ASE62G	6PDT

RIGHT ANGLE, THROUGH HOLE, EXTENDED ACTUATOR

P/N	T&B MODEL	FUNCTION
OBSOLETE 1437581-8	ASE22R	DPDT
OBSOLETE 1437581-9	ASE22RG	DPDT
OBSOLETE 1-1437581-9	ASE42R	4PDT
OBSOLETE 2-1437581-0	ASE42RG	4PDT
OBSOLETE 2-1437581-9	ASE43R	4P3T
OBSOLETE 3-1437581-0	ASE43RG	4P3T
OBSOLETE 3-1437581-6	ASE62R	6PDT
OBSOLETE 3-1437581-7	ASE62RG	6PDT

UPRIGHT, SURFACE MOUNT "L" TYPE, EXTENDED ACTUATOR

P/N	T&B MODEL	FUNCTION
OBSOLETE 1437581-5	ASE22GL	DPDT
OBSOLETE 1437581-7	ASE22L	DPDT
OBSOLETE 1-1437581-7	ASE42GL	4PDT
OBSOLETE 1-1437581-8	ASE42L	4PDT
OBSOLETE 2-1437581-7	ASE43GL	4P3T
OBSOLETE 2-1437581-8	ASE43L	4P3T
OBSOLETE 3-1437581-4	ASE62GL	6PDT
OBSOLETE 3-1437581-5	ASE62L	6PDT

UPRIGHT, SURFACE MOUNT "S" TYPE, EXTENDED ACTUATOR

P/N	T&B MODEL	FUNCTION
1437581-6	ASE22GS	DPDT
OBSOLETE 1-1437581-3	ASE22S	DPDT
OBSOLETE 2-1437581-4	ASE42GS	4PDT
	ASE42S	4PDT
	ASE43GS	4P3T
	ASE43S	4P3T
	ASE62GS	6PDT
	ASE62S	6PDT

RIGHT ANGLE, SURFACE MOUNT "L" TYPE, EXTENDED ACTUATOR

P/N	T&B MODEL	FUNCTION
	ASE22RGL	DPDT
OBSOLETE 1-1437581-1	ASE22RL	DPDT
OBSOLETE 2-1437581-1	ASE42RGL	4PDT
OBSOLETE 2-1437581-2	ASE42RL	4PDT
	ASE43RGL	4P3T
	ASE43RL	4P3T
OBSOLETE 3-1437581-8	ASE62RGL	6PDT
OBSOLETE 3-1437581-9	ASE62RL	6PDT

RIGHT ANGLE, SURFACE MOUNT "S" TYPE, EXTENDED ACTUATOR

P/N	T&B MODEL	FUNCTION
OBSOLETE 1-1437581-0	ASE22RGS	DPDT
OBSOLETE 1-1437581-2	ASE22RS	DPDT
	ASE42RGS	4PDT
OBSOLETE 2-1437581-3	ASE42RS	4PDT
	ASE43RGS	4P3T
	ASE43RS	4P3T
	ASE62RGS	6PDT
	ASE62RS	6PDT

UPRIGHT, THROUGH HOLE, FLUSH ACTUATOR

P/N	T&B MODEL	FUNCTION
5-1437581-6	ASF22	DPDT
OBSOLETE 5-1437581-8	ASF22G	DPDT
OBSOLETE 6-1437581-8	ASF42	4PDT
OBSOLETE 7-1437581-0	ASF42G	4PDT
OBSOLETE 7-1437581-8	ASF43	4P3T
OBSOLETE 7-1437581-9	ASF43G	4P3T
OBSOLETE 8-1437581-4	ASF62	6PDT
OBSOLETE 8-1437581-6	ASF62G	6PDT

RIGHT ANGLE, THROUGH HOLE, FLUSH ACTUATOR

P/N	T&B MODEL	FUNCTION
OBSOLETE 6-1437581-2	ASF22R	DPDT
OBSOLETE 6-1437581-3	ASF22RG	DPDT
OBSOLETE 7-1437581-3	ASF42R	4PDT
OBSOLETE 7-1437581-4	ASF42RG	4PDT
	ASF43R	4P3T
OBSOLETE 8-1437581-2	ASF43RG	4P3T
OBSOLETE 8-1437581-9	ASF62R	6PDT
	ASF62RG	6PDT

UPRIGHT, SURFACE MOUNT "L" TYPE, FLUSH ACTUATOR

P/N	T&B MODEL	FUNCTION
OBSOLETE 1571007-1	ASF22LTR	DPDT
OBSOLETE 2-1437582-0	ASF71260	DPDT
	ASF22L	DPDT
	ASF22GL	DPDT
OBSOLETE 6-1437581-1	ASF22L	DPDT
OBSOLETE 1571007-4	ASF22GLTR	DPDT
OBSOLETE 7-1437581-1	ASF42GL	4PDT
	ASF42L	4PDT
OBSOLETE 8-1437581-0	ASF43GL	4P3T
OBSOLETE 8-1437581-1	ASF43L	4P3T
OBSOLETE 8-1437581-7	ASF62GL	6PDT
OBSOLETE 8-1437581-8	ASF62L	6PDT

UPRIGHT, SURFACE MOUNT "S" TYPE, FLUSH ACTUATOR

P/N	T&B MODEL	FUNCTION
OBSOLETE 6-1437581-0	ASF22GS	DPDT
OBSOLETE 6-1437581-7	ASF22S	DPDT
OBSOLETE 1571007-2	ASF22STR	DPDT
	ASF42GS	4PDT
OBSOLETE 1571007-3	ASF42STR	4PDT
OBSOLETE 7-1437581-7	ASF42S	4PDT
	ASF43GS	4P3T
OBSOLETE 8-1437581-3	ASF43S	4P3T
	ASF62GS	6PDT
OBSOLETE 9-1437581-4	ASF62S	6PDT

RIGHT ANGLE, SURFACE MOUNT "L" TYPE, FLUSH ACTUATOR

P/N	T&B MODEL	FUNCTION
6-1437581-4	ASF22RGL	DPDT
	ASF22RL	DPDT
OBSOLETE 7-1437581-5	ASF42RGL	4PDT
OBSOLETE 7-1437581-6	ASF42RL	4PDT
	ASF43RGL	4P3T
	ASF43RL	4P3T
OBSOLETE 9-1437581-2	ASF62RGL	6PDT
	ASF62RL	6PDT

RIGHT ANGLE, SURFACE MOUNT "S" TYPE, FLUSH ACTUATOR

P/N	T&B MODEL	FUNCTION
OBSOLETE 6-1437581-5	ASF22RGS	DPDT
OBSOLETE 6-1437581-6	ASF22RS	DPDT
	ASF42RGS	4PDT
	ASF42RS	4PDT
	ASF43RGS	4P3T
	ASF43RS	4P3T
OBSOLETE 9-1437581-3	ASF62RGS	6PDT
	ASF62RS	6PDT

THIS DRAWING IS A CONTROLLED DOCUMENT.

DWN: M. BINNER 12JAN04
 DWG: -
 APVD: -
 PRODUCT SPEC: -
 APPLICATION SPEC: -

TOLERANCES UNLESS OTHERWISE SPECIFIED:
 0 PLC ± .005
 1 PLC ± .005
 2 PLC ± .005
 3 PLC ± .010(0.25)
 4 PLC ± .010
 ANGLES ± .1°

MATERIAL: SEE SPECIFICATIONS
 FINISH: -

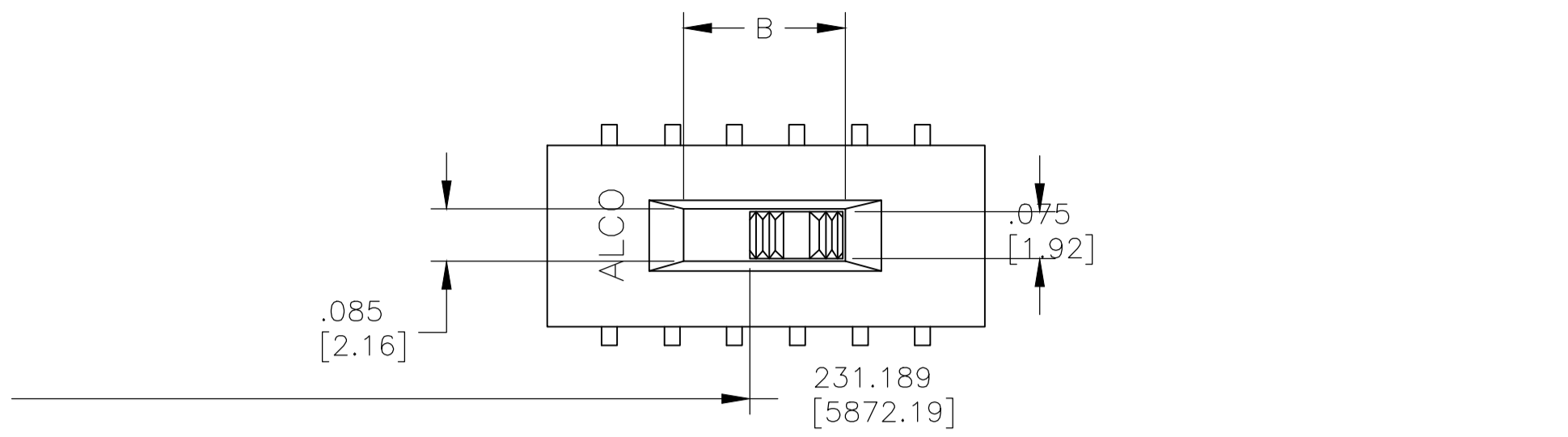
WEIGHT: -
 RESTRICTED TO: -
 CUSTOMER DRAWING: -

SCALE: 4:1 SHEET: 1 OF 2 REV: K3

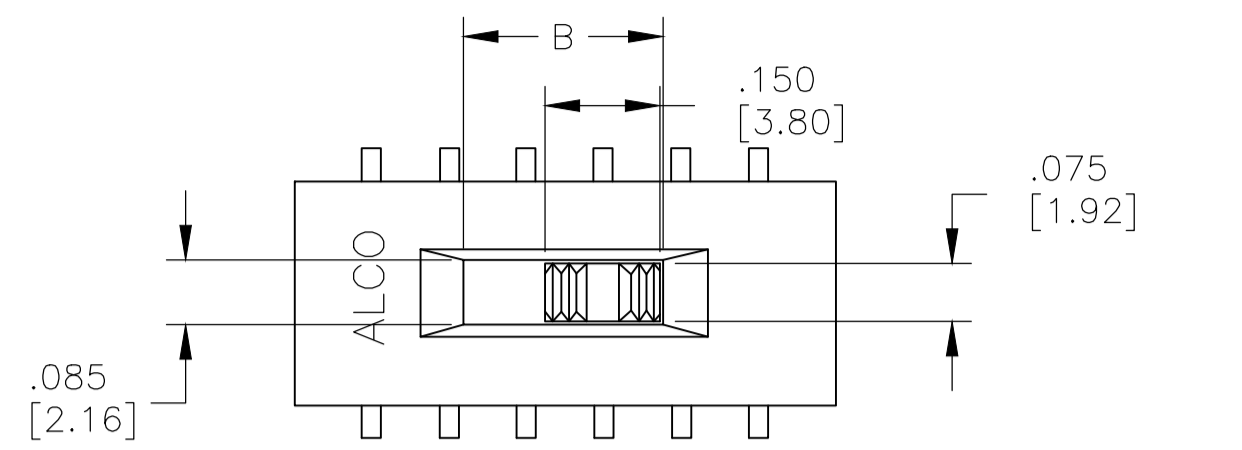
TE Connectivity
 SLIDE SWITCH ASE/ASF, AUTO-INSERTABLE, THRU-HOLE AND SURFACE MOUNT

SIZE: A1 CAGE CODE: 00779 DRAWING NO: 1437581-2

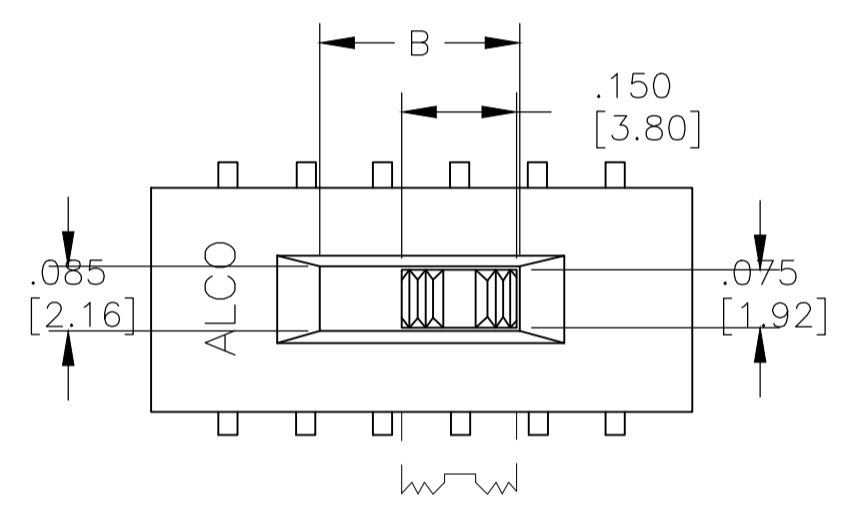
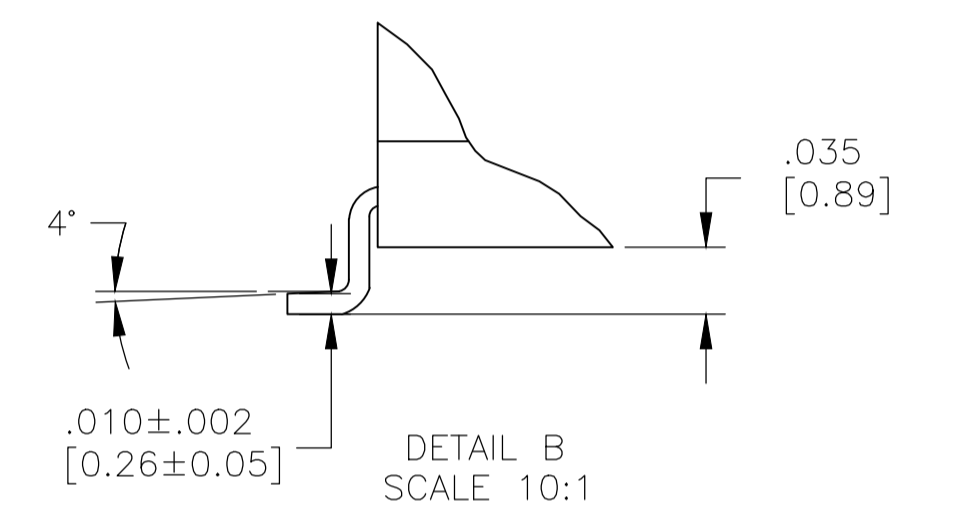
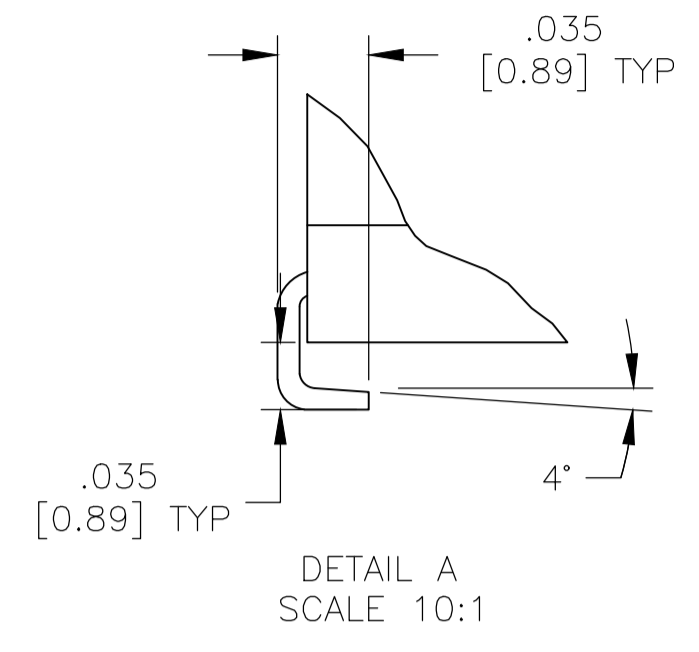
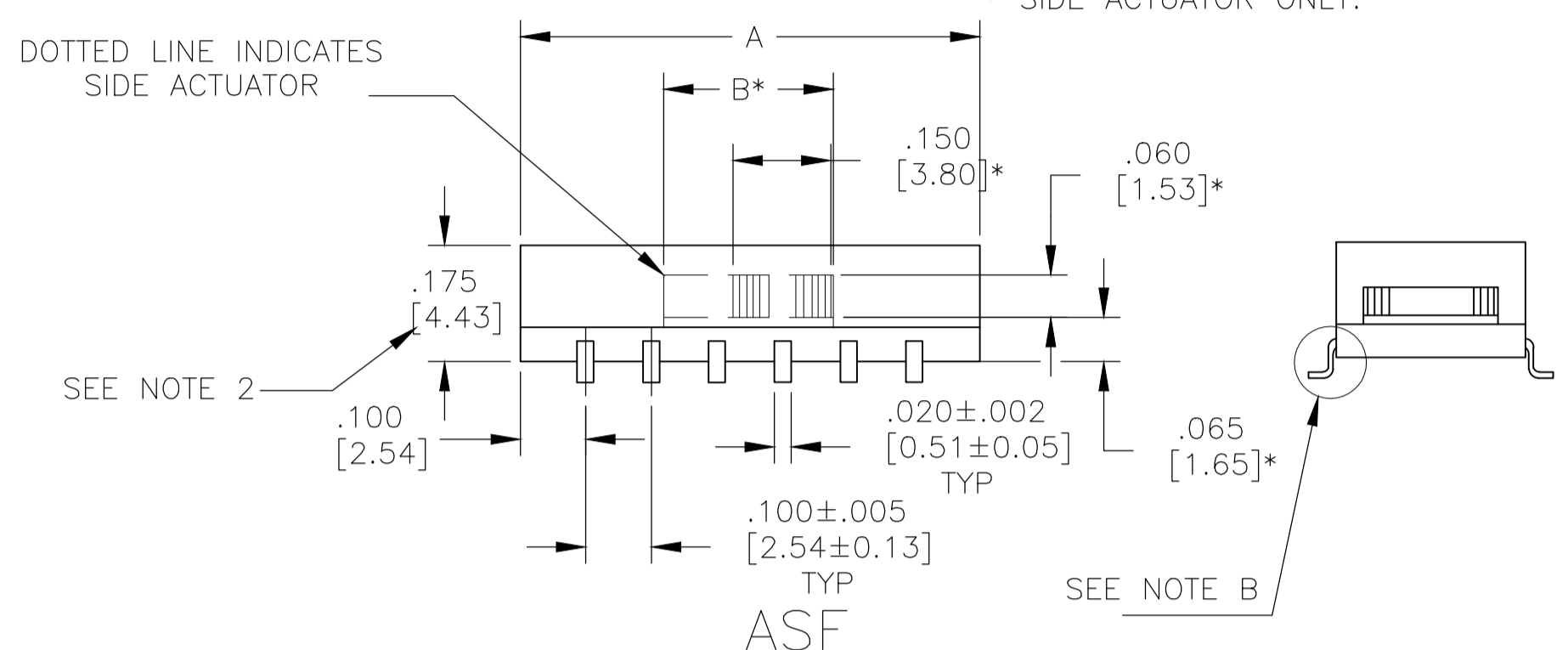
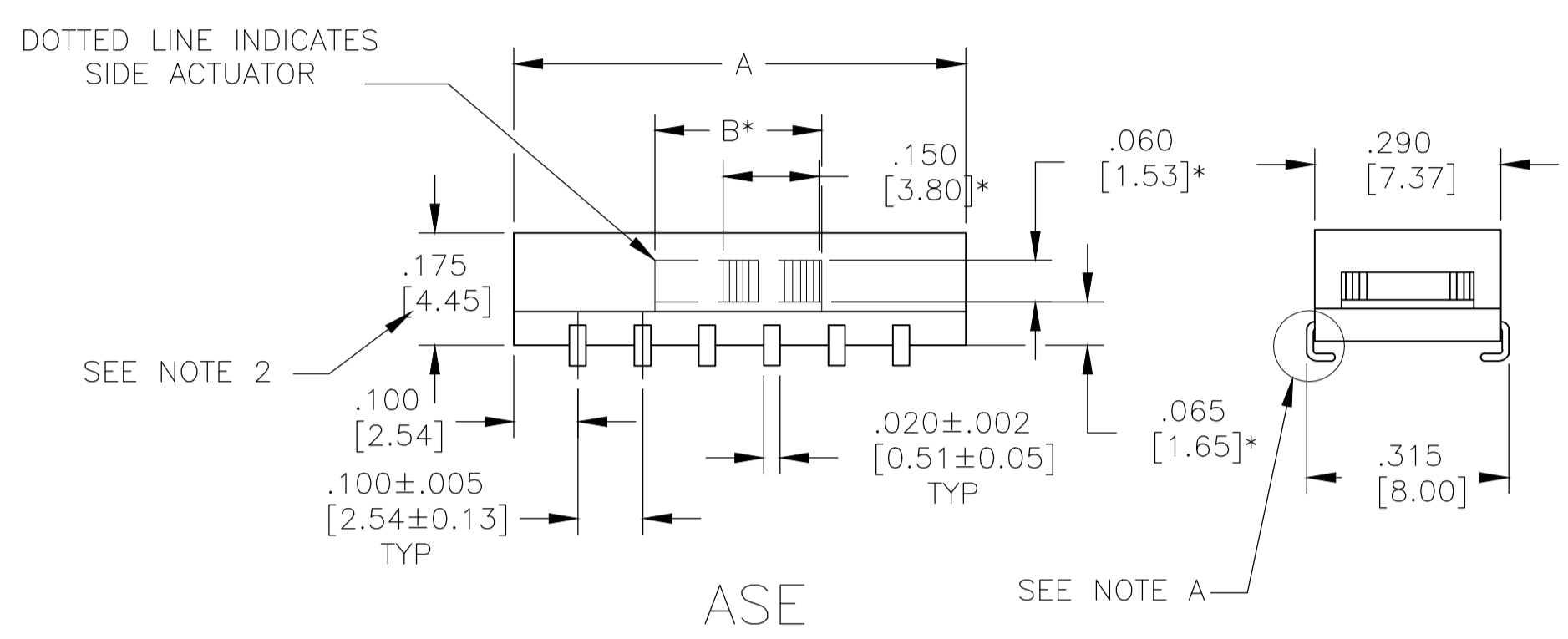
REVISIONS				
P	LTR	DESCRIPTION	DATE	APPV
-	-	SEE SHEET 1	-	-



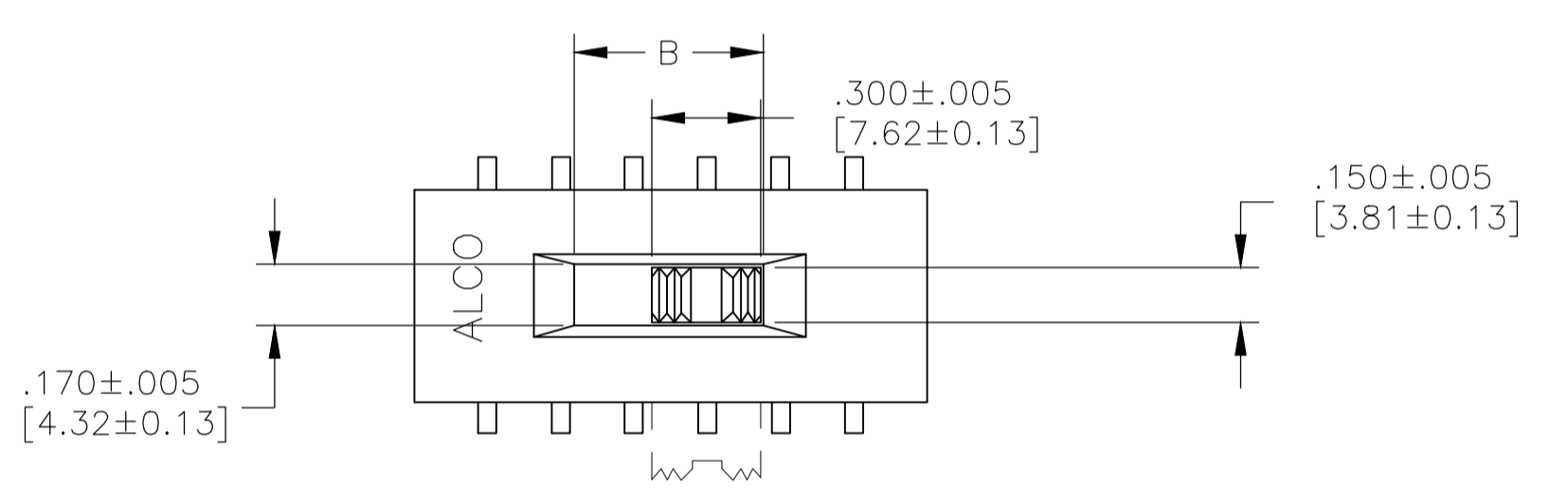
* SIDE ACTUATOR ONLY.



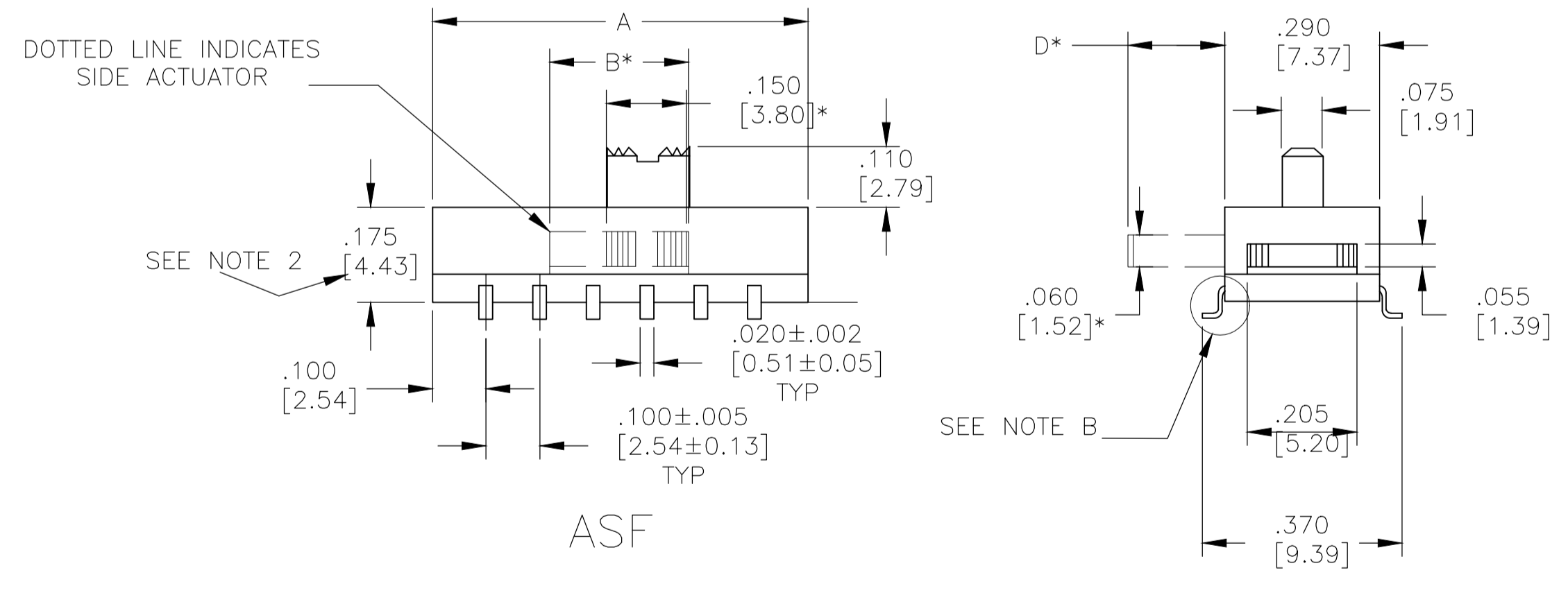
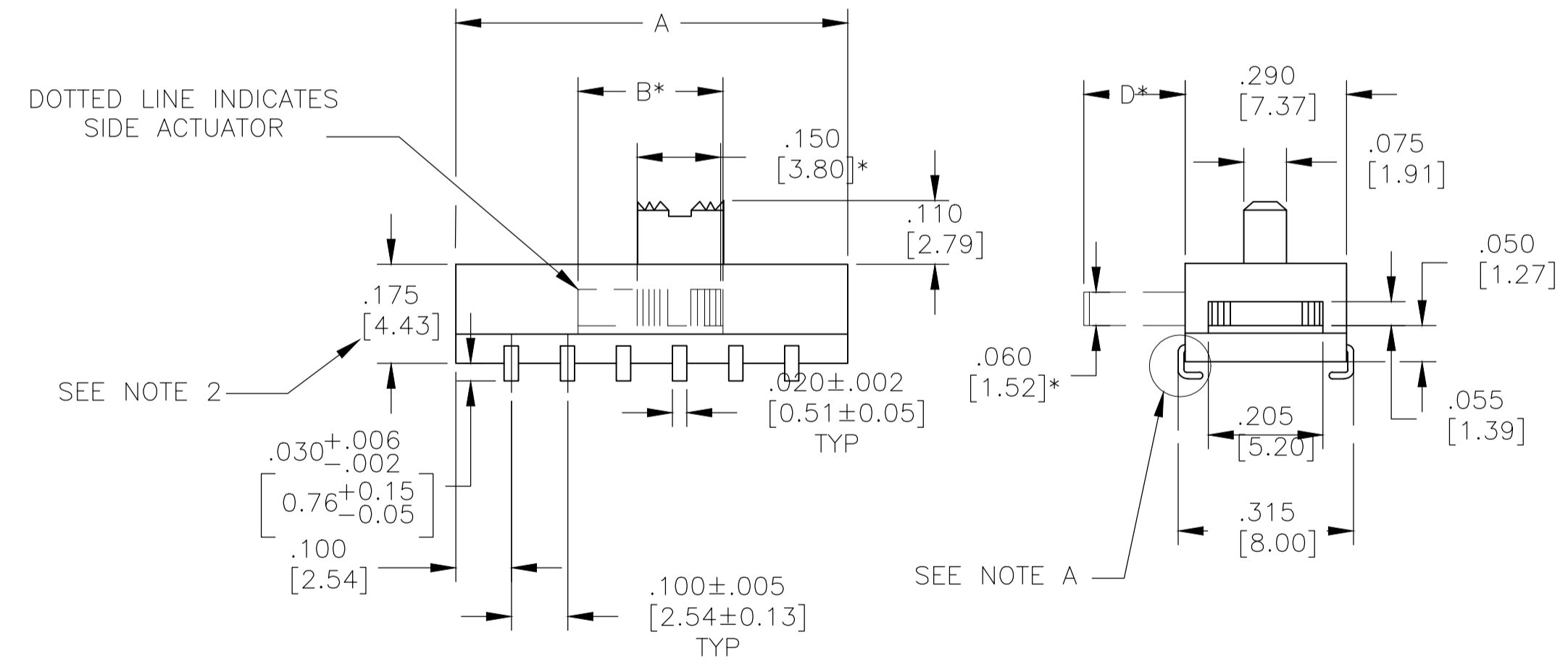
* SIDE ACTUATOR ONLY.



* SIDE ACTUATOR ONLY.



* SIDE ACTUATOR ONLY.



REVERSE "L" TYPE SURFACE MOUNT

"L" TYPE SURFACE MOUNT

THIS DRAWING IS A CONTROLLED DOCUMENT.		DIN M. BINNER 12JAN04	TE Connectivity	
DIMENSIONS: INCHES [mm]		TOLERANCES UNLESS OTHERWISE SPECIFIED:	NAME	
		0 PLC ± -	SLIDE SWITCH ASE/ASF, AUTO-INSERTABLE, THRU-HOLE AND SURFACE MOUNT	
MATERIAL SEE SPECIFICATIONS		FINISH -	PRODUCT SPEC	RESTRICTED TO
		1 PLC ± -	APPLICATION SPEC	SIZE CAGE CODE DRAWING NO
		2 PLC ± -	WEIGHT	A1 00779 1437581-2
		3 PLC ± ±.01(0.25)	CUSTOMER DRAWING	SCALE 4:1 SHEET 2 OF 2 REV K3
		4 PLC ± ±.1*		

Mouser Electronics

Authorized Distributor

Click to View Pricing, Inventory, Delivery & Lifecycle Information:

[TE Connectivity:](#)

[ASE62G](#)