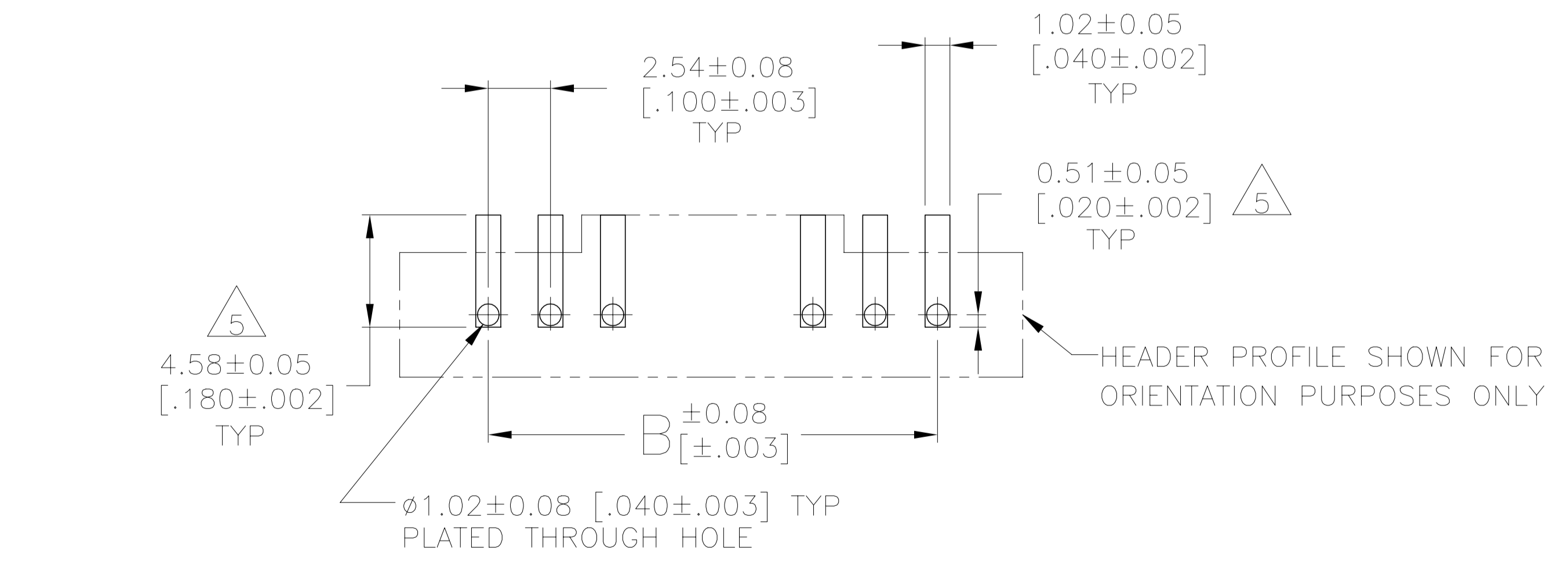
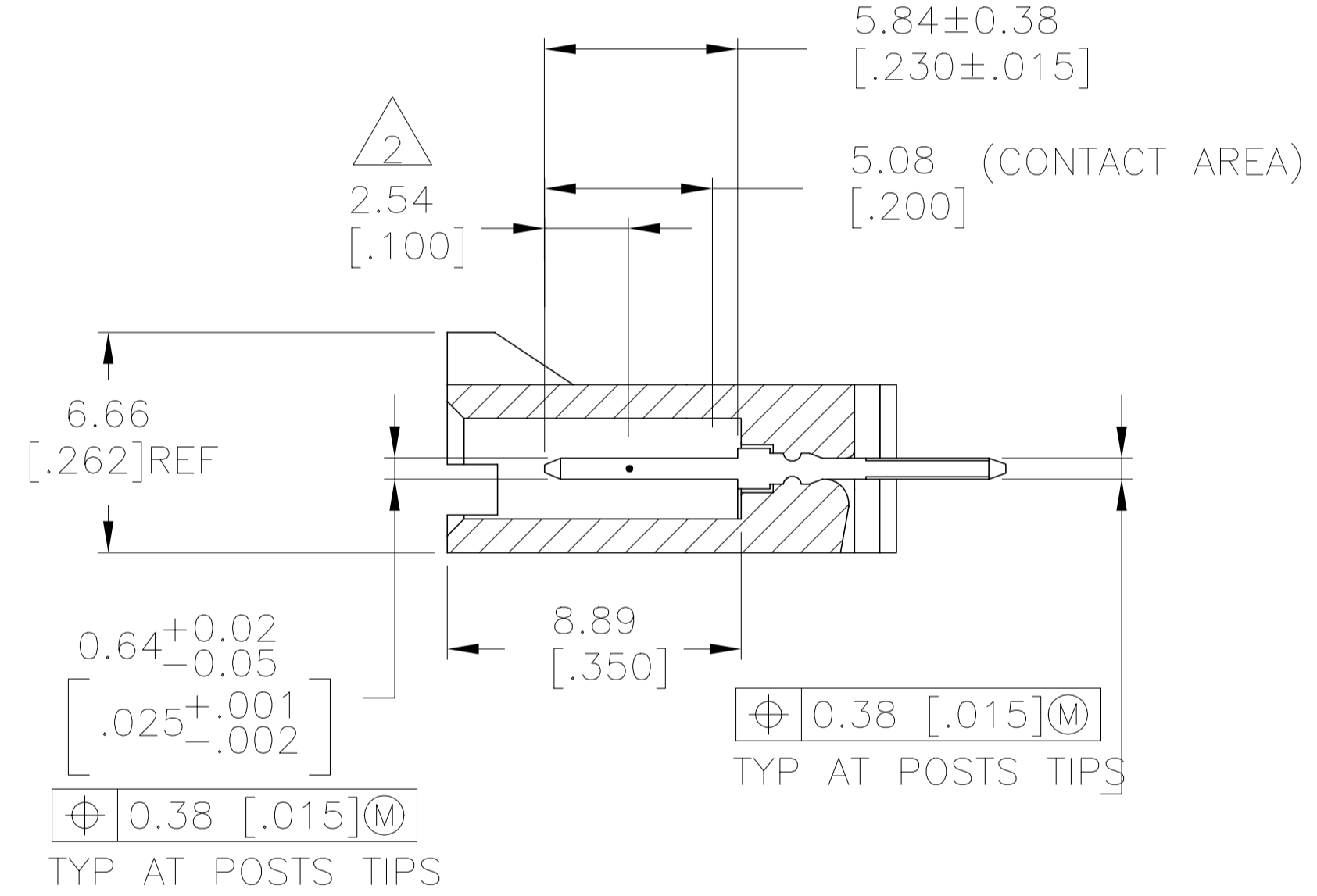
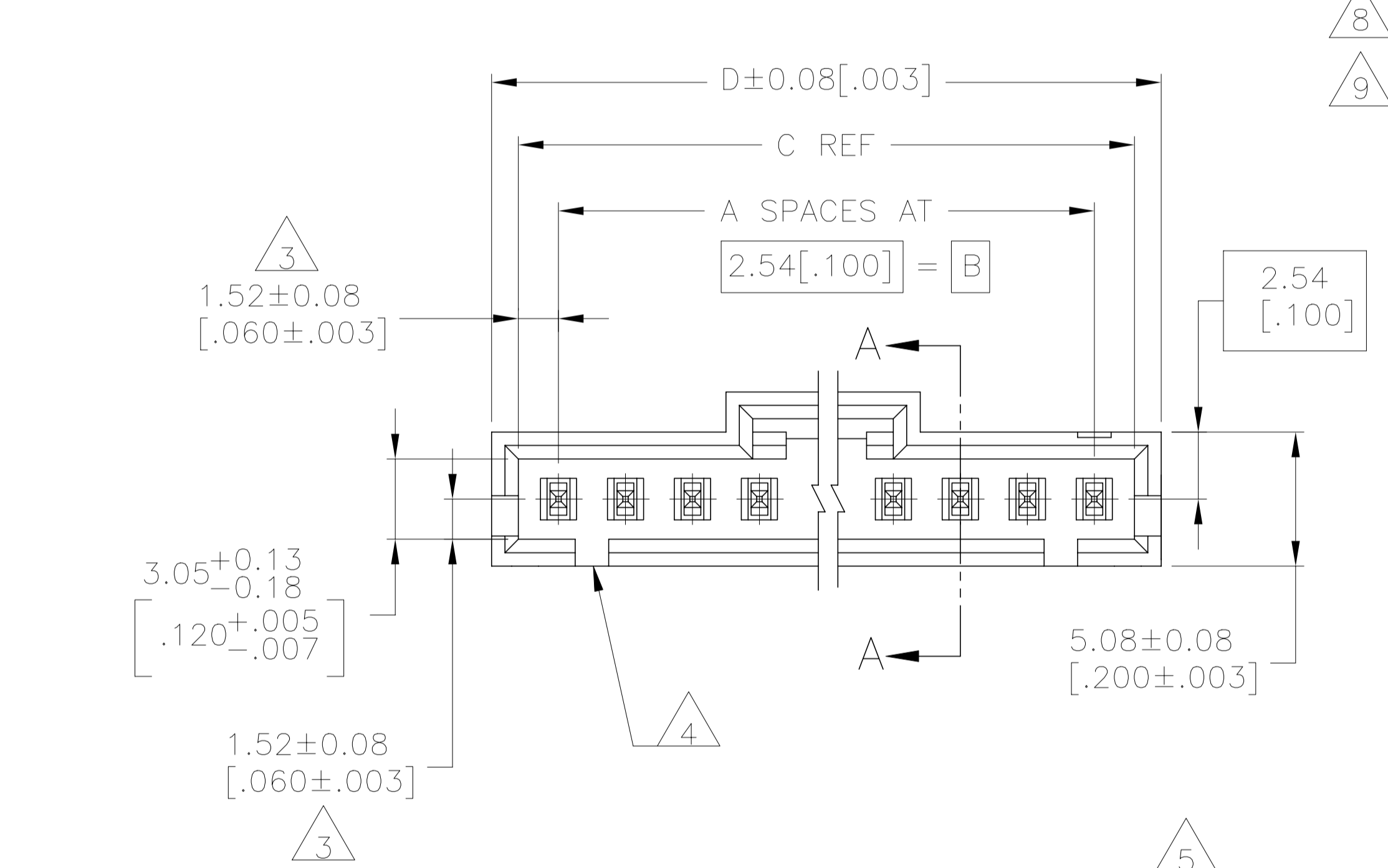
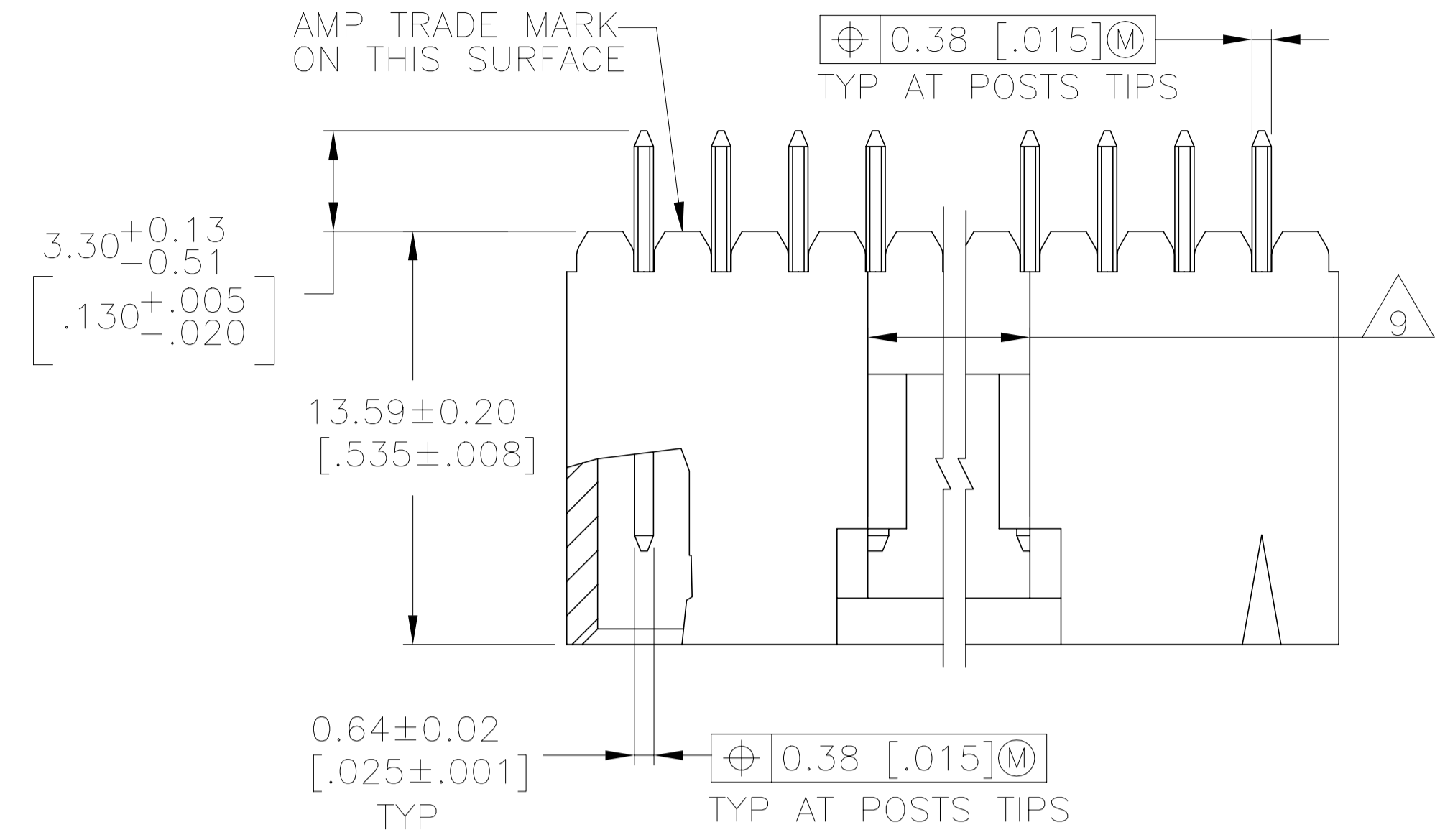


REVISIONS					
P	LTR	DESCRIPTION	DATE	DWN	APVD
J		REVISED PER ECO-20-001327	05JUN2020	SB	JO

- 1 0.00038[.000015] GOLD IN THE CONTACT AREA, 0.00254-0.00508[.000100-.000200] MATTE TIN-LEAD ON THE SOLDER TAIL, ALL OVER 0.00127[.000050] NICKEL
- 2 POINT OF MEASUREMENT FOR PLATING THICKNESS
- 3 THE NOTED DIMENSIONS APPLY FROM THE BASIC DIMENSION LINE (NOT THE POST CENTERLINE) TO THE SURFACE INDICATED
- 4 ONE POLARIZATION SLOT FOR 2 POSITION ASSEMBLY ONLY.
- 5 DIMENSIONS NOTED ARE FOR SOLDER STENCIL LAYOUT FOR USE WITH 1.57±0.02[.062±.008] THICK PRINTED CIRCUIT BOARDS.
- 6 PARTS ARE PACKAGED IN GANG OF TUBES
- 7 0.00038[.000015] GOLD IN THE CONTACT AREA, 0.00254-0.00508[.000100-.000200] MATTE TIN ON THE SOLDER TAIL, ALL OVER 0.00127[.000050] NICKEL.
- 8 OBSOLETE PARTS: OBSOLETE CIS STREAMLINING PER D.RENAUD/D.SINISI
- 9 0.25 [.010] RECESS PERMISSIBLE IN THIS AREA FOR MOLD SHUT OFF



REV	DESCRIPTION	DATE	DWN	APVD	PLATING	D	C	B	A	NO OF POSN	PART NUMBER
7	65.91 [2.595] 64.01 [2.520] 60.96 [2.400]	24	25	7-104910-4							
7	63.37 [2.495] 61.47 [2.420] 58.42 [2.300]	23	24	7-104910-3							
7	60.83 [2.395] 58.93 [2.320] 55.88 [2.200]	22	23	7-104910-2							
7	58.29 [2.295] 56.39 [2.220] 53.34 [2.100]	21	22	7-104910-1							
7	55.75 [2.195] 53.85 [2.120] 50.80 [2.000]	20	21	7-104910-0							
7	53.21 [2.095] 51.31 [2.020] 48.26 [1.900]	19	20	6-104910-9							
7	50.67 [1.995] 48.77 [1.920] 45.72 [1.800]	18	19	6-104910-8							
7	48.13 [1.895] 46.23 [1.820] 43.18 [1.700]	17	18	6-104910-7							
7	45.59 [1.795] 43.69 [1.720] 40.64 [1.600]	16	17	6-104910-6							
7	43.05 [1.695] 41.15 [1.620] 38.1 [1.500]	15	16	6-104910-5							
7	40.51 [1.595] 38.61 [1.520] 35.56 [1.400]	14	15	6-104910-4							
7	37.97 [1.495] 36.07 [1.420] 33.02 [1.300]	13	14	6-104910-3							
7	35.43 [1.395] 33.53 [1.320] 30.48 [1.200]	12	13	6-104910-2							
1	65.91 [2.595] 64.01 [2.520] 60.96 [2.400]	24	25	2-104910-4							
1	63.37 [2.495] 61.47 [2.420] 58.42 [2.300]	23	24	2-104910-3							
1	60.83 [2.395] 58.93 [2.320] 55.88 [2.200]	22	23	2-104910-2							
1	58.29 [2.295] 56.39 [2.220] 53.34 [2.100]	21	22	2-104910-1							
1	55.75 [2.195] 53.85 [2.120] 50.80 [2.000]	20	21	2-104910-0							
1	53.21 [2.095] 51.31 [2.020] 48.26 [1.900]	19	20	1-104910-9							
1	50.67 [1.995] 48.77 [1.920] 45.72 [1.800]	18	19	1-104910-8							
1	48.13 [1.895] 46.23 [1.820] 43.18 [1.700]	17	18	1-104910-7							
1	45.59 [1.795] 43.69 [1.720] 40.64 [1.600]	16	17	1-104910-6							
1	43.05 [1.695] 41.15 [1.620] 38.1 [1.500]	15	16	1-104910-5							
1	40.51 [1.595] 38.61 [1.520] 35.56 [1.400]	14	15	1-104910-4							
1	37.97 [1.495] 36.07 [1.420] 33.02 [1.300]	13	14	1-104910-3							
1	35.43 [1.395] 33.53 [1.320] 30.48 [1.200]	12	13	1-104910-2							

SUPERSEDED

8 SUPERSEDED BY 6-104910-2

RECOMMENDED PC BOARD MOUNTING DIMENSIONS  
RECOMMENDED STENCIL THICKNESS = 0.25[.010]

THIS DRAWING IS A CONTROLLED DOCUMENT. DWN E. BRANDBERG 10-13-94  
CHK J. GESFORD 10-13-94  
APVD D. DUPLER 10-13-94

TE Connectivity

HEADER ASSY, AMPMODU MTE, VERTICAL  
SINGLE ROW, 2.54[.100]  
POLARIZED WITH LATCHING, HIGH TEMP

SIZE A2 CAGE CODE 00779 DRAWING NO C=104910 RESTRICTED TO  
WEIGHT - SCALE 4:1 SHEET 1 OF 1 REV J

MATERIAL HOUSING: HIGH TEMPERATURE LCP COLOR-BLACK POSTS: BRASS FINISH SEE TABLE

CUSTOMER DRAWING

# Mouser Electronics

Authorized Distributor

Click to View Pricing, Inventory, Delivery & Lifecycle Information:

[TE Connectivity:](#)

[6-104910-8](#)