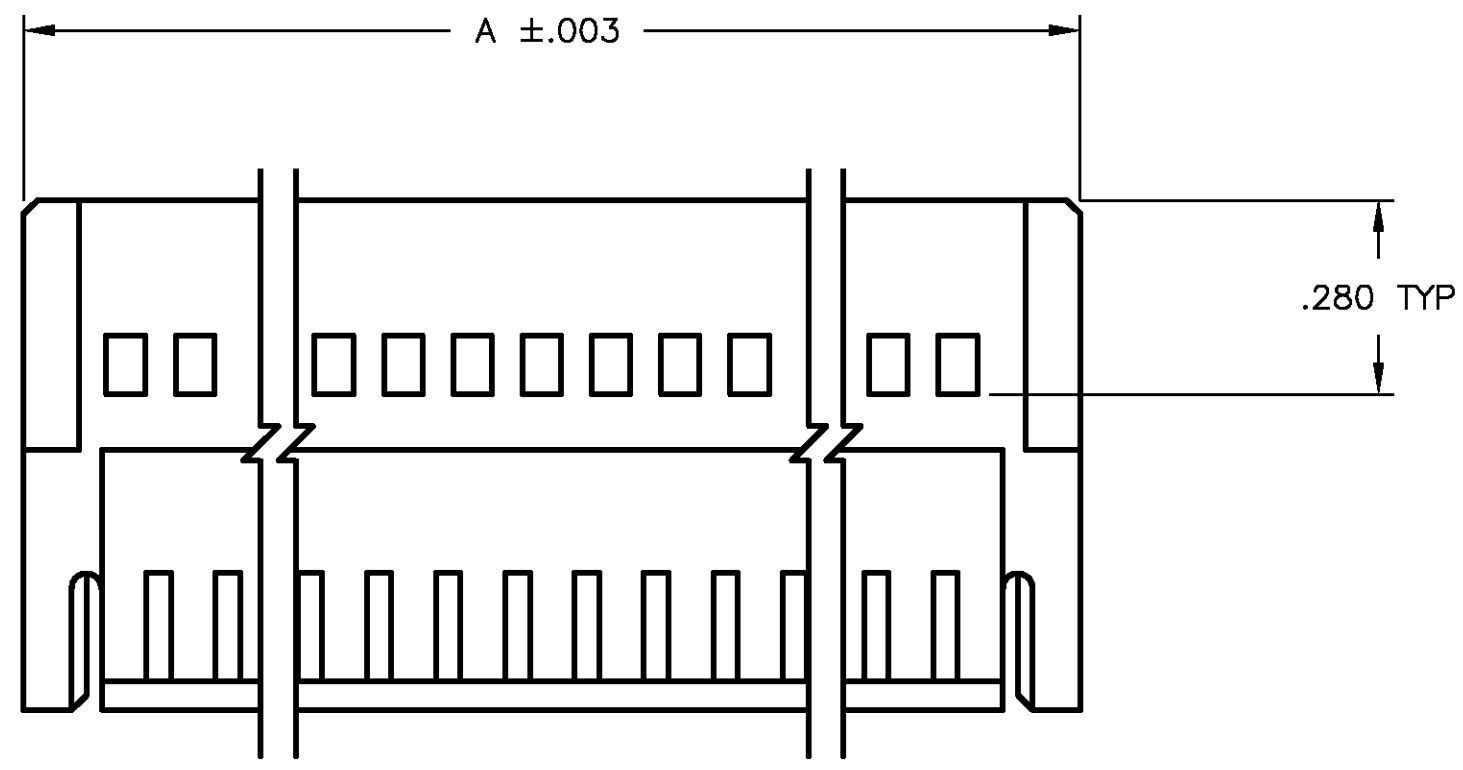
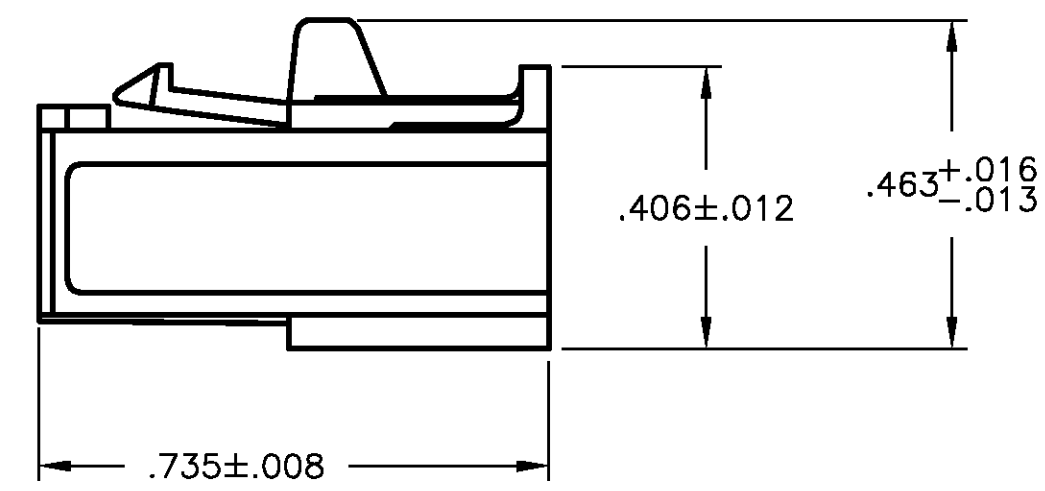
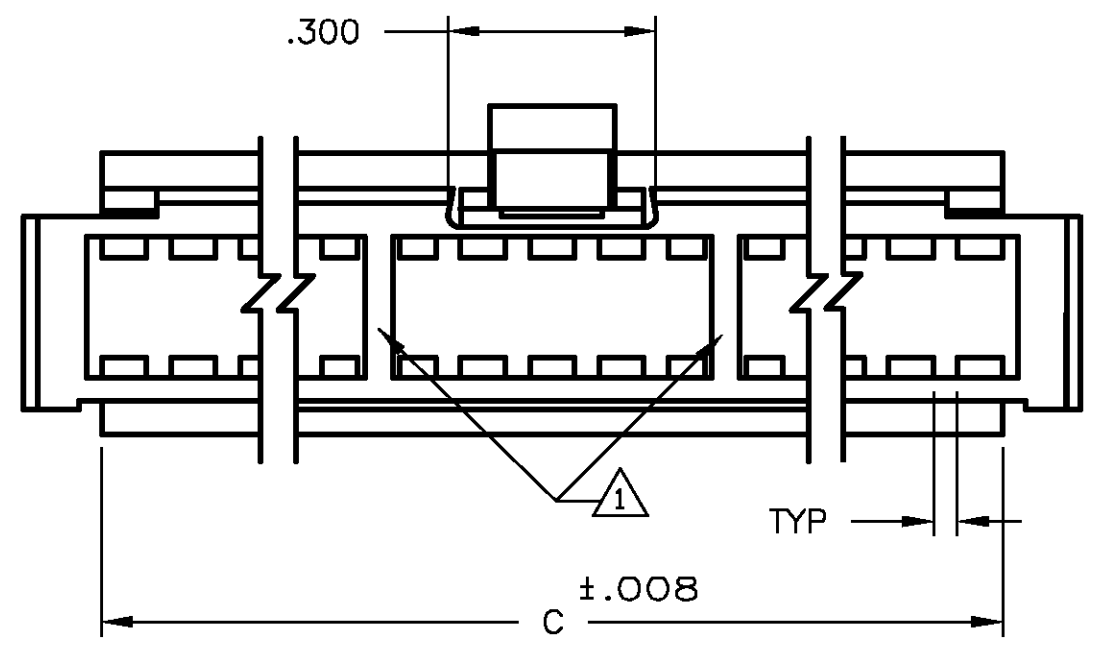
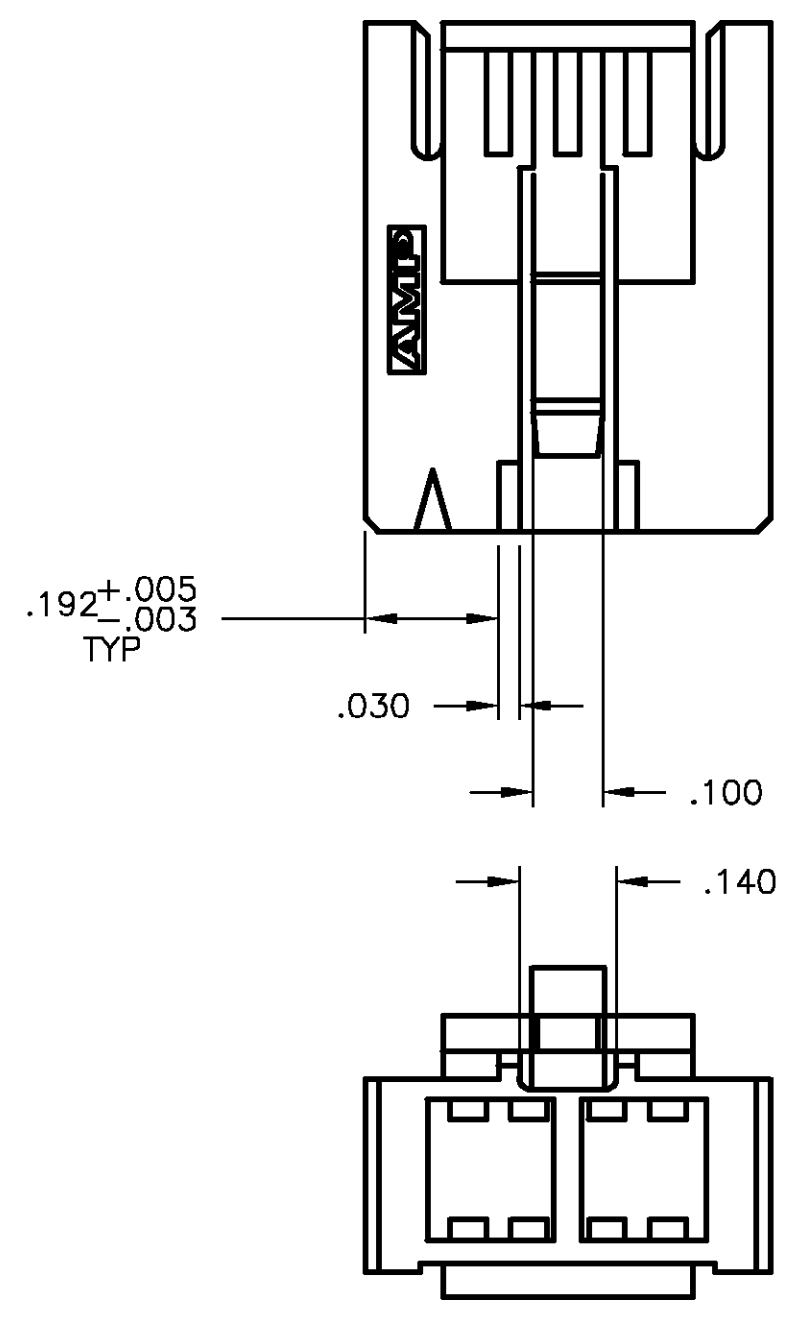
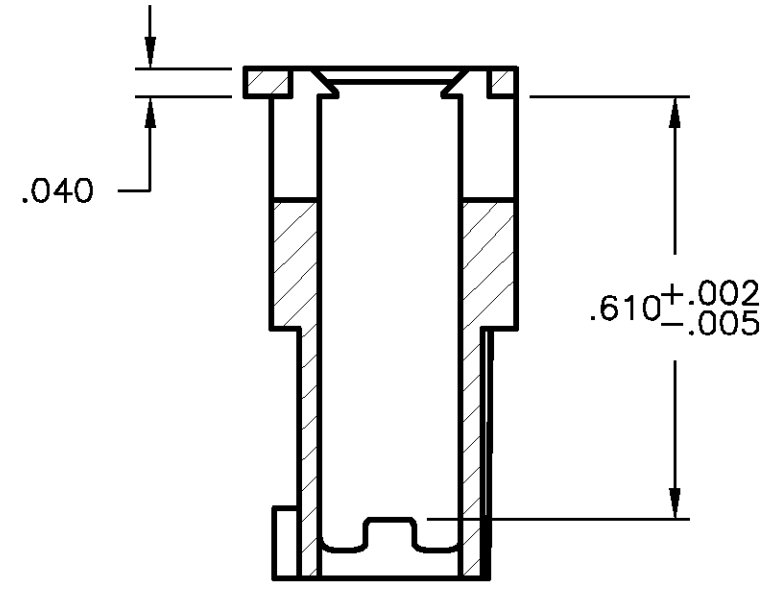
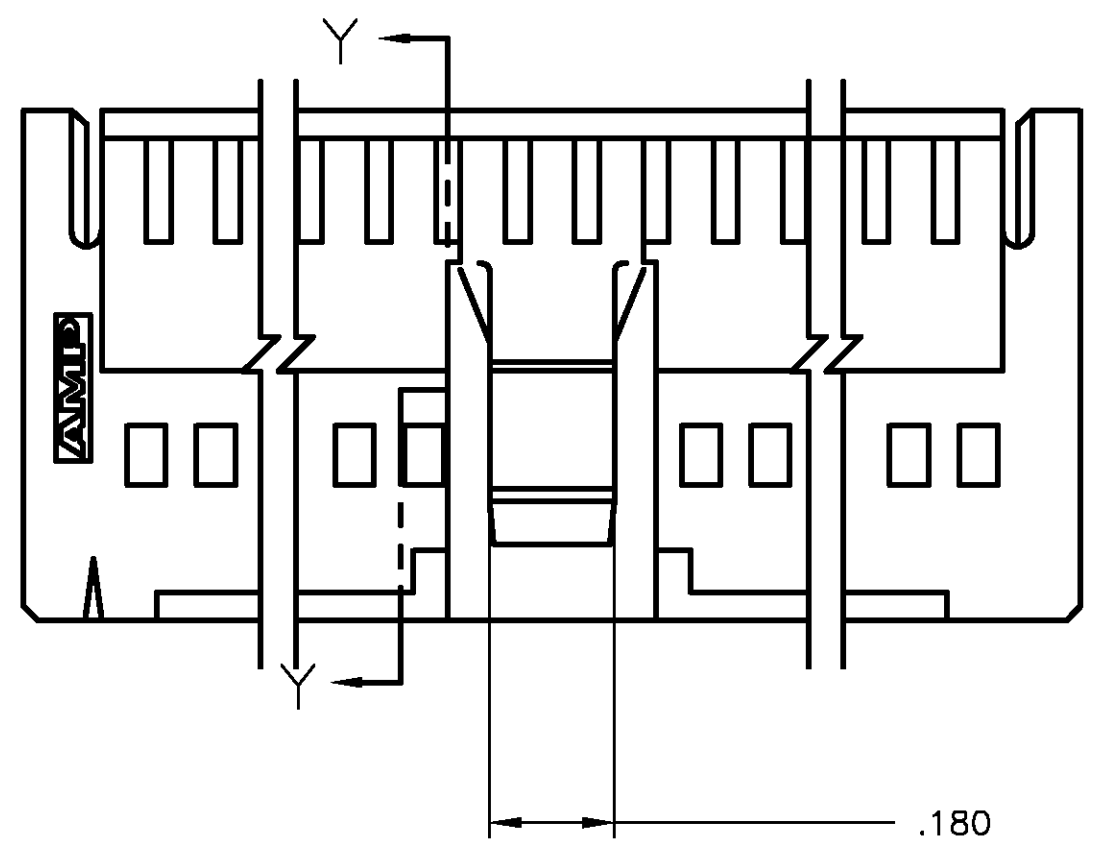


LOC		REV		REVISIONS			
AD	39	P	LR	DESCRIPTION	DATE	DM	APD
M	REV PER	OG3C-0373-02			11OCT02	RB	JG



- 1 SEE TABLE FOR RIB QTY
- 2 THIS COUPLING SHROUD IS TO BE USED WITH AMPMODU MTE® RECEPTACLE ASSEMBLIES WITH GUIDE RIBS. THE NUMBER OF POSITIONS LISTED EQUALS THE TOTAL NUMBER OF POSITIONS WHICH CAN BE CONTAINED WITHIN THE COUPLING SHROUD.
- 3 FLAME RETARDANT THERMOPLASTIC, COLOR-BLACK.
- 4 PRELIMINARY PART - NOT RELEASED FOR PRODUCTION.

QTY	POSN	1	2	3	4	5	6	7	8	9	10	11	12	13	14	15	16	17	18	19	20	21	22	23	24	25	26	27	28	29	30	31	32	33	34	35	36	37	38	39	40	41	42	43	44	45	46	47	48	49	50
1	.260	.485	6	1-103681-7																																															
2	2.460	2.685	50	1-103681-6																																															
2	1.960	2.185	40	1-103681-5																																															
2	1.660	1.885	34	1-103681-4																																															
2	1.560	1.785	32	1-103681-3																																															
2	1.460	1.685	30	1-103681-2																																															
2	1.360	1.585	28	1-103681-1																																															
2	1.260	1.485	26	1-103681-0																																															
2	1.160	1.385	24	103681-9																																															
2	1.060	1.285	22	103681-8																																															
2	.960	1.185	20	103681-7																																															
2	.860	1.085	18	103681-6																																															
1	.760	.985	16	103681-5																																															
1	.660	.885	14	103681-4																																															
1	.560	.785	12	103681-3																																															
1	.460	.685	10	103681-2																																															
1	.360	.585	8	103681-1																																															
RIB QTY	C	A	NO OF POSN	PART NUMBER																																															

THIS DRAWING IS A CONTROLLED DOCUMENT. DATE: 10-7-87. H. MOLI. CHK: P. de JONG. 10-7-87. AMP Tyco Electronics Corporation Harrisburg, PA 17105. PRODUCT SPEC: 108-25034. APPLICATION SPEC: 114-25026. MATERIAL: 3. FINISH: -. WEIGHT: -. SCALE: 4:1. SHEET 1 OF 1. REV M. CUSTOMER DRAWING.

# Mouser Electronics

Authorized Distributor

Click to View Pricing, Inventory, Delivery & Lifecycle Information:

[TE Connectivity:](#)

[103681-5](#)