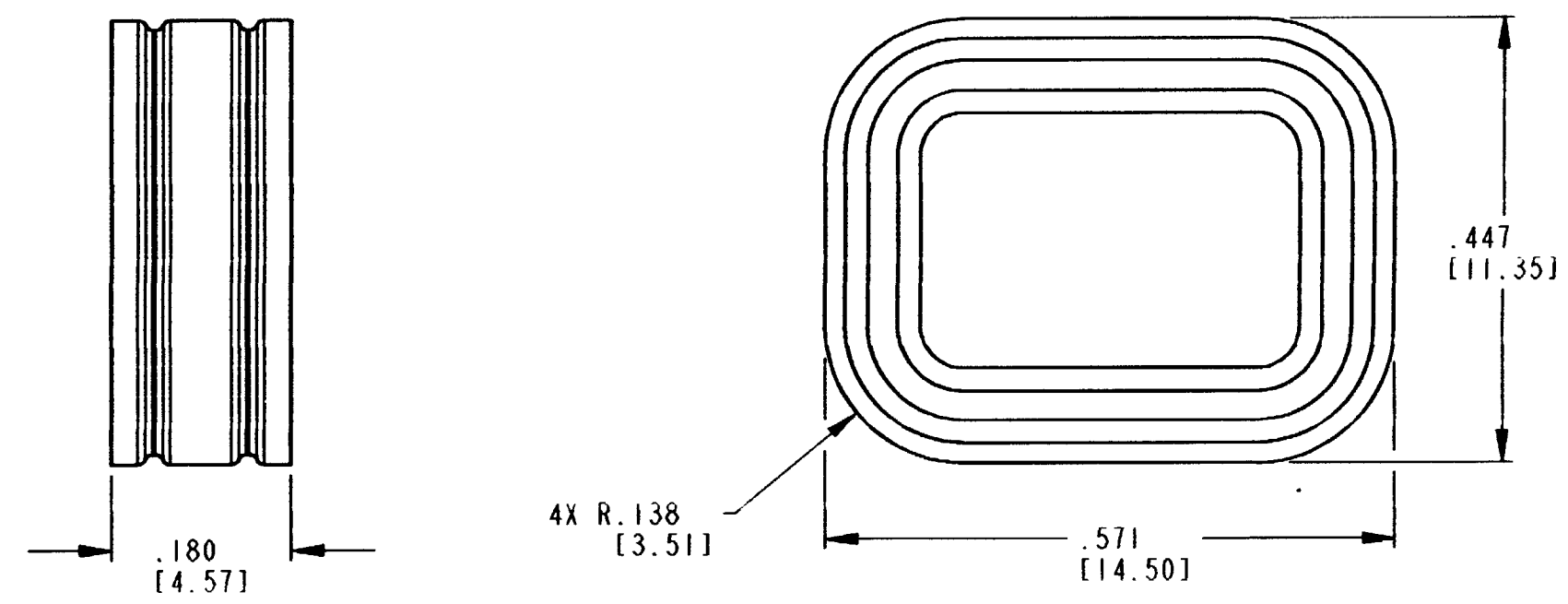
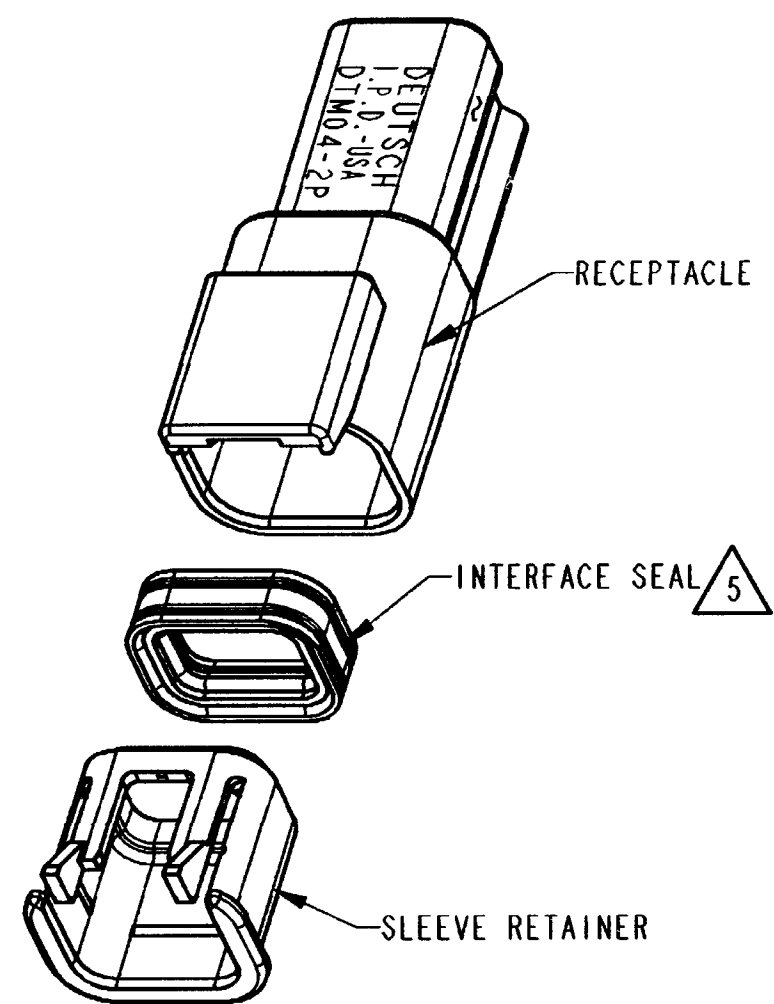


REV
NC 1010-114-0206

REVISIONS			
SYM	DESCRIPTION	DATE	APPROVED
NC	NEW RELEASE PER E.O. PI9500	5-17-07	ADR



5. ASSEMBLE INTERFACE SEAL AS SHOWN. PUSH INTERFACE SEAL INTO RECEPTACLE. SNAP SLEEVE RETAINER INTO RECEPTACLE. VERIFY SLEEVE RETAINER RETENTION FINGERS ARE FULLY SEATED BEHIND RECEPTACLE LATCH BUMPS. RECEPTACLE AND SLEEVE RETAINER SHOWN FOR REFERENCE ONLY.

- 4. MATERIAL: RUBBER (GREEN)
- 3. PART DESIGNED TO FIT DTM04-2P-E018 AND DTM04-2P-EE04 RECEPTACLES ONLY.
- 2. DIMENSIONS ARE ±.025 [.64].
- 1. DIMENSIONS ARE IN INCHES [mm].

NOTES: UNLESS OTHERWISE SPECIFIED

SIGNATURE & DATE	
DR	D. MEYER 03-28-07
CHK	<i>[Signature]</i> 5/10/07
PE	D. Meyer 5/2/07
APPD	<i>[Signature]</i> 5-17-07
SCALE	NONE WT

SEAL, INTERFACE
2 PIN RECEPTACLE

DTM SERIES

ENVELOPE

EP 172	MATL. CODE
The Deutsch Company	
DEUTSCH I.P.D. 3850 INDUSTRIAL AVE. HEMET, CALIF. 92545	
B	1010-114-0206
DWG SIZE	CODE 11139 SHEET 1 OF 1

Mouser Electronics

Authorized Distributor

Click to View Pricing, Inventory, Delivery & Lifecycle Information:

[TE Connectivity:](#)

[1010-114-0206](#)