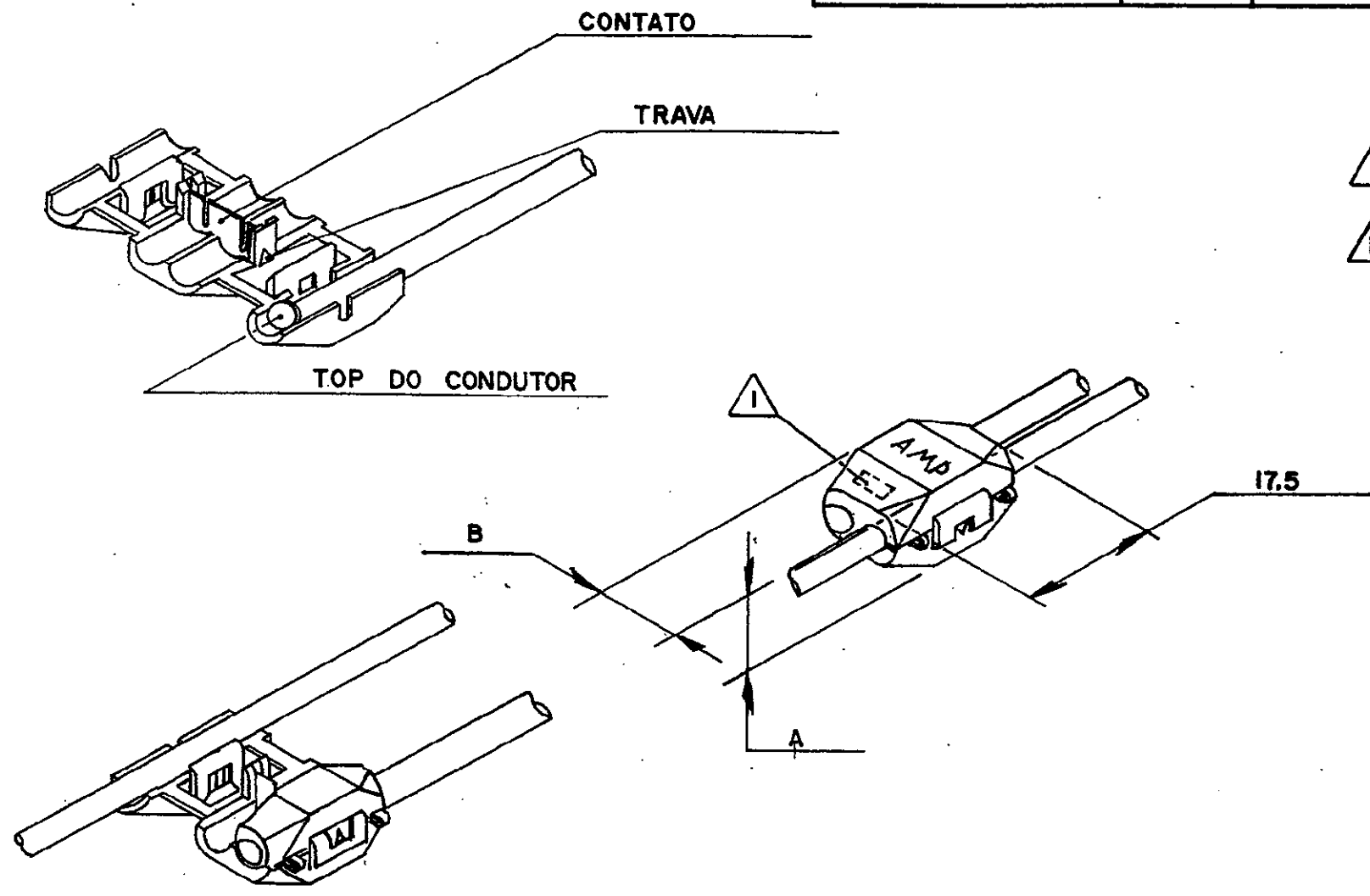


C 626439

DWG NO.		DO NOT SCALE		<b>METRIC</b>	3rd ANGLE PROJECTION
		DIMENSIONS IN mm.			
REQ. PER ASSY	ITEM	DESCRIPTION	MATERIAL	FINISH	



⚠ GRAVAR BITOLA DE FIOS DE ACORDO COM TABELA ABAIXO.  
 ⚠ ENGRAVE WIRE DIMENSION ACC. TO TABLE BELLOW.

↑	↑	↑	↑	↑	↑	↑	↑
16,2	11,8	5	4,0-6,0	BLACK	NYLON 6/6 UV PROTECTED		626439-2
B	A	∅ MAX. ISOLATING mm	WIRE DIM. mm	YELLOW	NYLON 6/6	TIN BRASS	626439-1
				COLOUR	ISOLATOR	CONTACT	PART NUMBER

**CUSTOMER DWG**  
for REFERENCE ONLY

THIS DRAWING IS UNPUBLISHED RELEASED FOR PUBLICATION 19

© COPYRIGHT 19 BY AMP DO BRASIL LTDA S.P. ALL INTERNATIONAL RIGHTS RESERVED AMP PRODUCTS MAY BE COVERED BY U.S. AND FOREIGN PATENTS AND/OR PATENTS PENDING.

TOLERANCES UNLESS OTHERWISE STATED  
 DEC. ± 1,0  
 ANGLES ± 1°

DR. 04 DEC 97  
 C.A.FERNANDES

CHK. J.A.VIEIRA 15 Jan 98

DE.

CI REDRAW L800 437/97 C.A.F. 4.12.97

ISS REVISION RECORD ECN DR DATE APP. J.A.LA SALVIA

INS. DIA. RANGE WIRE RANGE SCALE

**AMP** AMP do BRASIL LTDA.  
São Paulo, Brasil

DESCRIPTION  
ELECTRO-TAP

DWG NO. A3 C 626439 SHEET 1 OF 1

8 7 6 5 4 3 2 1

# Mouser Electronics

Authorized Distributor

Click to View Pricing, Inventory, Delivery & Lifecycle Information:

[TE Connectivity:](#)

[626439-1](#)