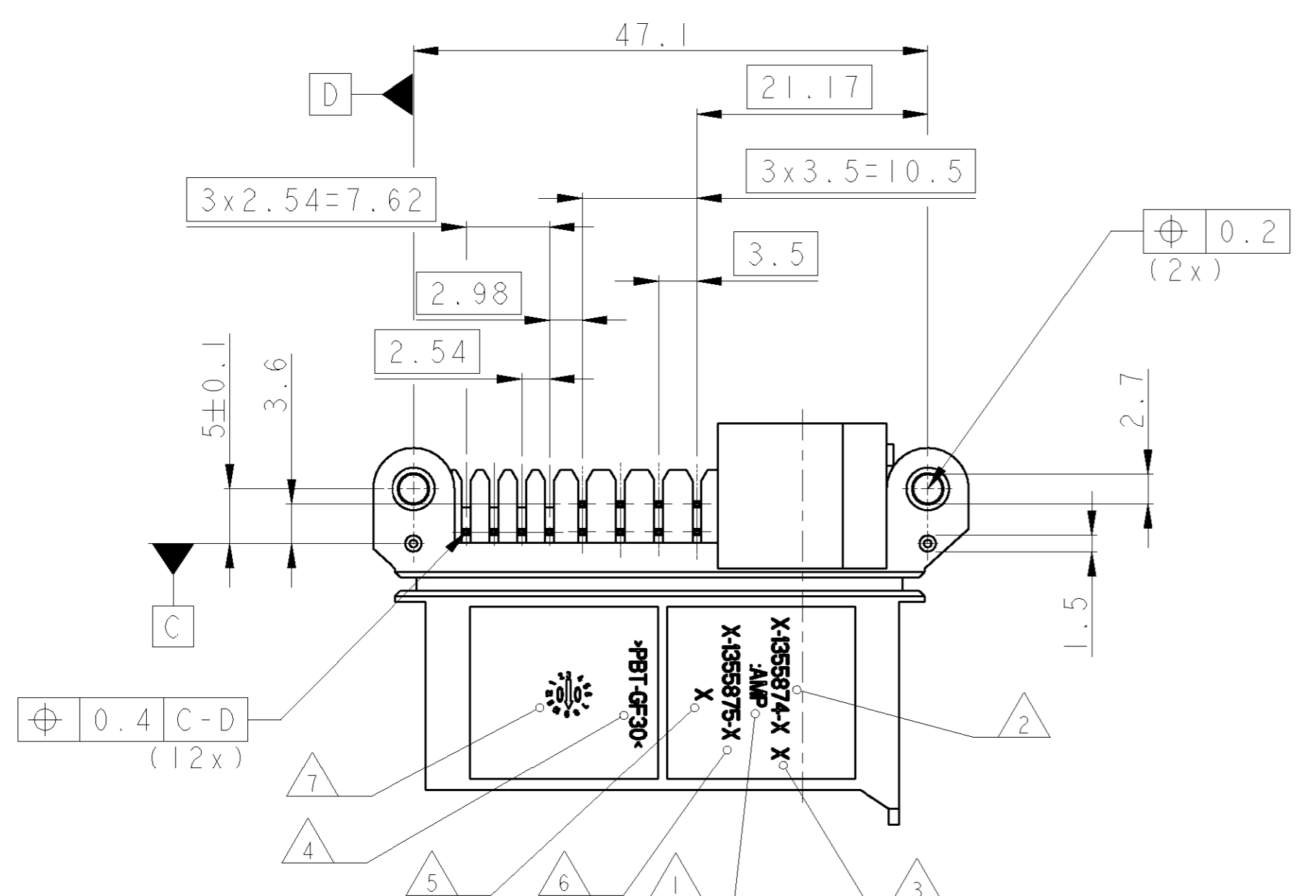
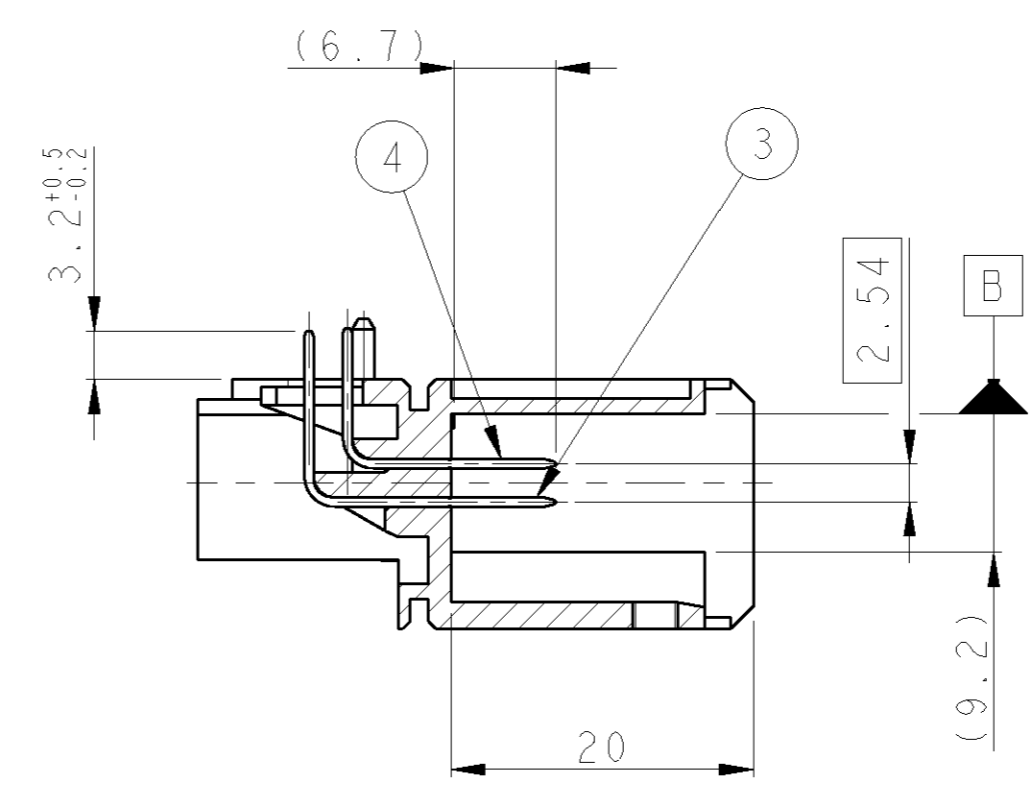
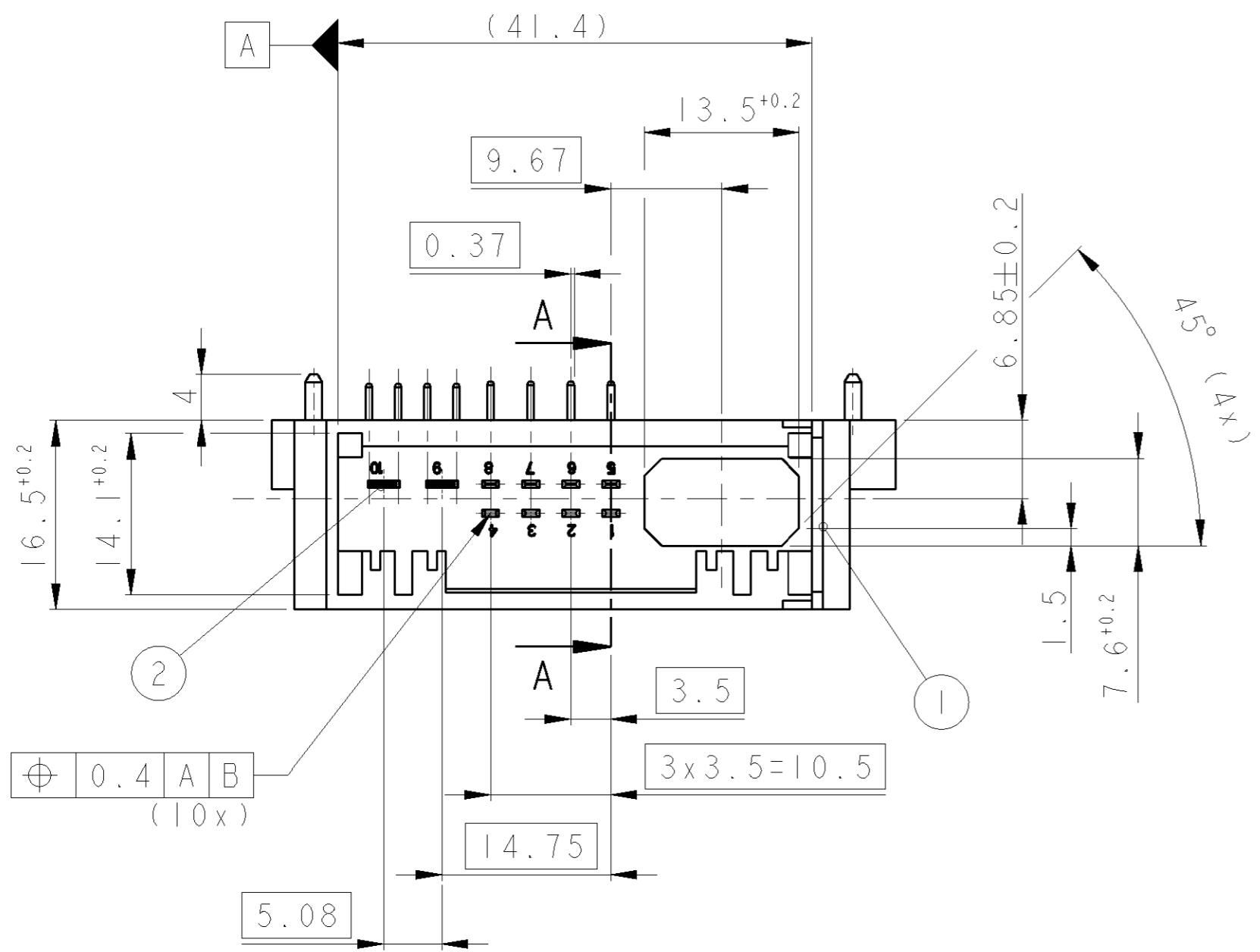


THIS DRAWING IS UNPUBLISHED. RELEASED FOR PUBLICATION 2000  
 © COPYRIGHT 2000 BY TYCO ELECTRONICS CORPORATION. ALL RIGHTS RESERVED.

LOC	DIST	REVISIONS					
		P	LTR	DESCRIPTION	DATE	DWN	APVD
A1	-	D		SEE PCN EG00-0967-02	19MAR2002	H.M.	T.K.
		E		SEE PCN EG00-0955-03	26MAR2003	H.M.	T.K.
		E1		SEE E-07-022923	25SEP2007	CA	TK



Bemerkungen  
NOTES

- 1 AMP-LOGO  
AMP-Logo
- 2 ORDER-NUMBER  
Bestell-Nummer
- 3 REVISIONS-NUMBER  
Werkzeugaenderungsindex
- 4 MATERIAL MARKING  
Werkstoffkennzeichnung
- 5 CAVITY MARKING  
Nestmarkierung
- 6 SINGLE PART NO  
Einzelteil-Nummer
- 7 PRODUCTION-DATE  
Produktions-Datum
- 8 LAYER PACKAGING  
Lagenverpackung
- 9 TOLERANCES UNLESS OTHERWISE SPECIFIED ±0.3  
Toleranzen wenn nicht anders spezifiziert ±0.3

MATED WITH:  
 COVER 1-1355871-1  
 Kappe  
 RECEPTACLE HOUSING 1-1355873-1  
 Buchsengehaeuse

0.4 C-D (12x)

CUSTOMER PART NO	AMP PART NO	REV.	PCS.	MATERIAL	SURFACE COLOUR	DESCRIPTION	ITEM NO
	1-1355874-1	E	4	CuSn6	TINNED	TAB 1.5x0.6	4
			4	CuSn6	TINNED	TAB 1.5x0.6	3
			2	CuSn6	TINNED	TAB 2.8x0.6	2
			1	PBT-GF30	BLACK	HEADER, 2xMPQ / 8xMQS	1

DIMENSIONS: mm		TOLERANCES UNLESS OTHERWISE SPECIFIED:	
0 PLC	±	0.15	±
1 PLC	±	0.15	±
2 PLC	±	0.15	±
3 PLC	±	0.15	±
4 PLC	±	0.15	±
ANGLES	±	0.15	±
FINISH	-		

DWN H. Breitenbach 11APR2000	CHK T. Kilian 12APR2000	APVD -	PRODUCT SPEC 108-18214	APPLICATION SPEC 114-18351	WEIGHT -	CUSTOMER DRAWING
NAME TAB HEADER FOR 2x MPQ / 8x MQS + 2POS. F.O. Stiftwanne fuer 2xMPQ / 8xMQS + 2pol. LWL		SIZE A2	CAGE CODE 00779	DRAWING NO G-1355874	RESTRICTED TO -	SCALE 2:1
AMP Deutschland GmbH D - 63225 Langen		SHEET 1		OF 1		REV E1

# Mouser Electronics

Authorized Distributor

Click to View Pricing, Inventory, Delivery & Lifecycle Information:

[TE Connectivity:](#)

[1-1355874-1](#)