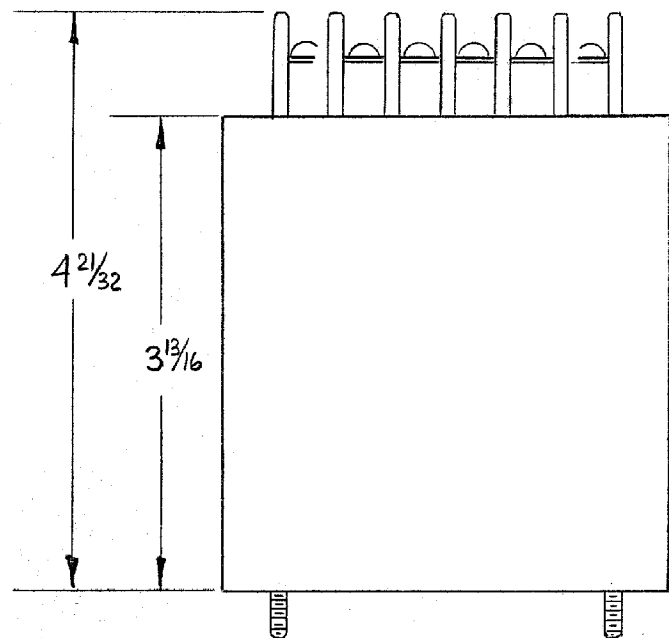
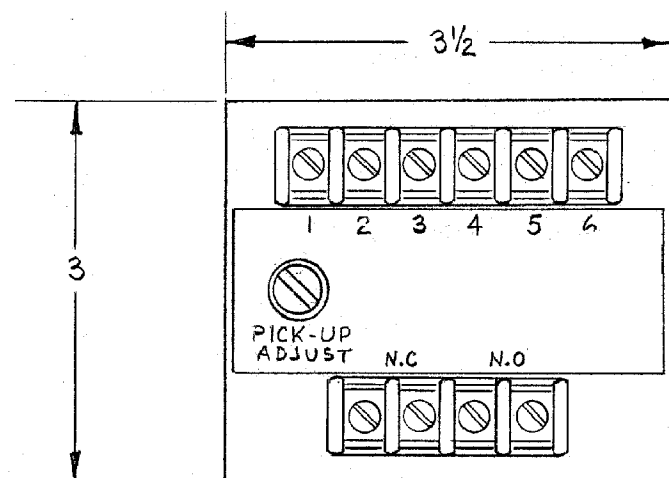


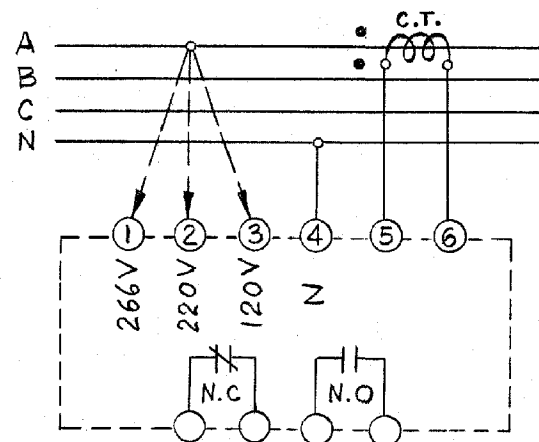
ZONE LTR		REVISIONS	DESCRIPTION	DATE	APPROVED
----------	--	-----------	-------------	------	----------



CONNECTIONS

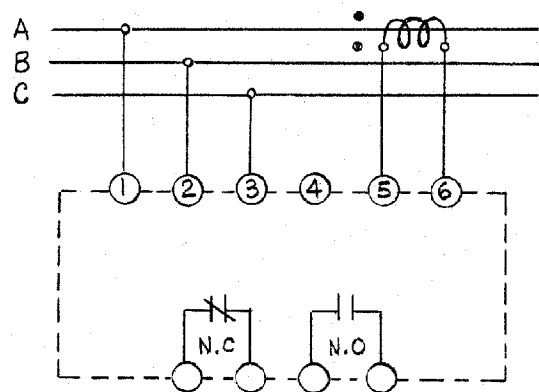
A. MODEL 710 (OR MODEL 710X)

THIS MODEL IS DESIGNED FOR 120V, 220V OR 266V LINE TO NEUTRAL CONNECTION.



B. MODELS 720(X) THRU 724 (X)

FOR USE WITH THREE PHASE THREE WIRE SYSTEMS.



SPECIFICATIONS

LINE VOLTAGE:

A. THE MODEL 710 (X) IS DESIGNED FOR 120V, 220V OR 266V LINE TO NEUTRAL SENSING.

B. THE TABLE BELOW PROVIDES A LIST OF AVAILABLE MODELS FOR THREE PHASE SENSING.

LINE FREQUENCY: 50 - 500 HZ.

CURRENT REQUIREMENTS: 0 TO 5 AMP. MAX., DIRECT OR FROM C.T.

OPERATION: THE SELF CONTAINED OUTPUT RELAY ACTUATES WHEN REVERSE POWER FLOW EXCEEDS THE PRE-SET VALUE.

TRIP ADJUSTMENT: SCREWDRIVER ADJUSTABLE 4% TO 20% (OF THE 5 AMP. RESISTIVE RATING).

OUTPUT CONTACTS: ONE SET N.C., ONE SET N.O.

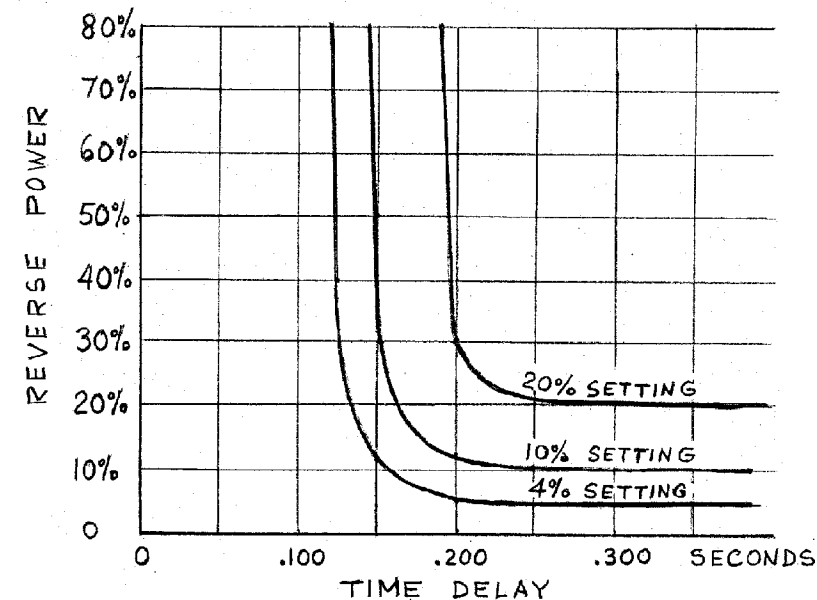
CONTACT RATING: 5 AMP RESISTIVE AT 120VAC OR 28VDC. POWER CONSUMPTION:

VOLTAGE CIRCUIT: 2VA MAX.

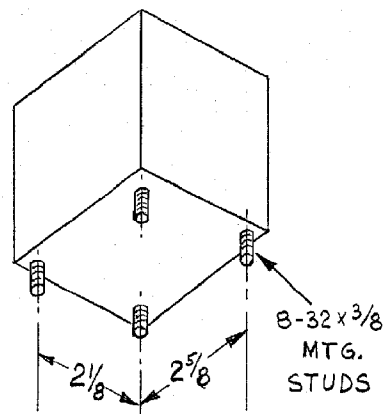
CURRENT CIRCUIT: 4VA MAX.

CONSTRUCTION: SOLID STATE SENSOR WITH RELAY OUTPUT ENCLOSED IN A SEALED STEEL CAN.

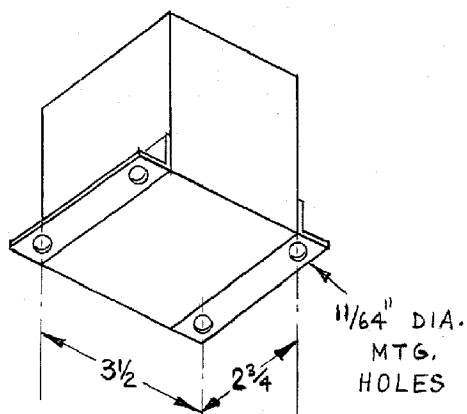
NOTE: CLOCKWISE ROTATION OF THE PICK-UP ADJUSTMENT WILL RAISE THE REVERSE POWER TRIP POINT. REMOVE SCREW FOR ACCESS TO THE PICK-UP ADJUSTMENT.



MOUNTING CONFIGURATIONS



STUD MOUNTING
MODEL 710
MODELS 720 THRU 724



BRACKET MOUNTING (SUFFIX "X")
MODEL 710 X
MODELS 720 X THRU 724 X

MODEL	INPUT VOLTAGE, 3φ
720 (X)	120 VOLTS, L-L
721 (X)	230 VOLTS, L-L
722 (X)	380 VOLTS, L-L
723 (X)	460 VOLTS, L-L
724 (X)	575 VOLTS, L-L

UNLESS OTHERWISE SPECIFIED DIMENSIONS ARE IN INCHES	
TOLERANCES ON FRACTIONS DECIMALS ANGLES	
± 1/32	± .010 ± 1/2°
BREAK ALL SHARP EDGES .015 MAX. AND DEBURR	
MATERIAL:	
NEXT ASSY	USED ON
APPLICATION	

QTY REQD	SYM	DESCRIPTION	CODE IDENT NO.	PART NO.	SPEC	MATERIAL OR NOTE	ITEM NO.
LIST OF MATERIAL							
CONTRACT NO.		WILMAR ELECTRONICS, INC. TORRANCE, CALIFORNIA					
DRAWN		E.R.H.		10-20-76		TITLE	
CHECKED		Z.Ch.		10/20/76		REVERSE POWER RELAY	
DESIGN APPROVAL		T.M.		10-21-76		710 AND 720 SERIES	
PROJECT APPROVAL						SIZE CODE IDENT NO. DWG NO.	
DESIGN ACTIVITY APPROVAL		C		25248		21-313	
APPROVAL		SCALE		WEIGHT		SHEET	

Mouser Electronics

Authorized Distributor

Click to View Pricing, Inventory, Delivery & Lifecycle Information:

[TE Connectivity:](#)

[723X](#)