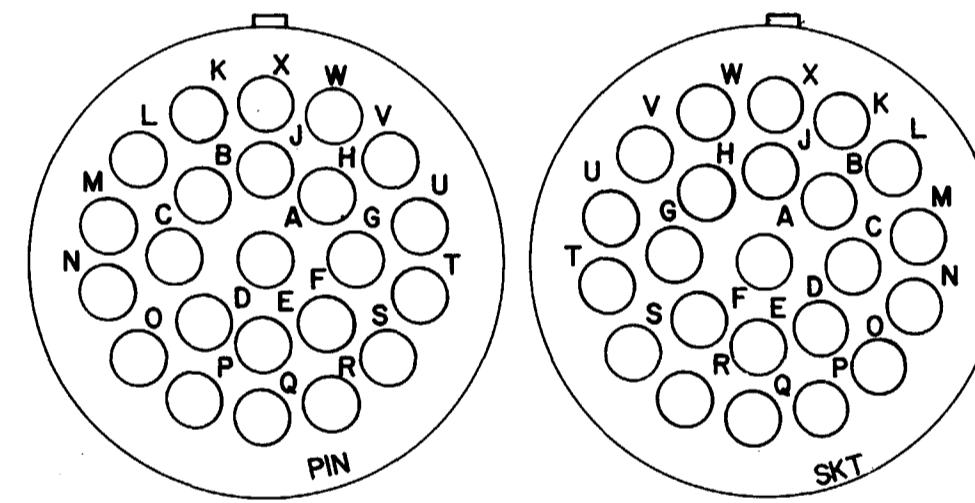
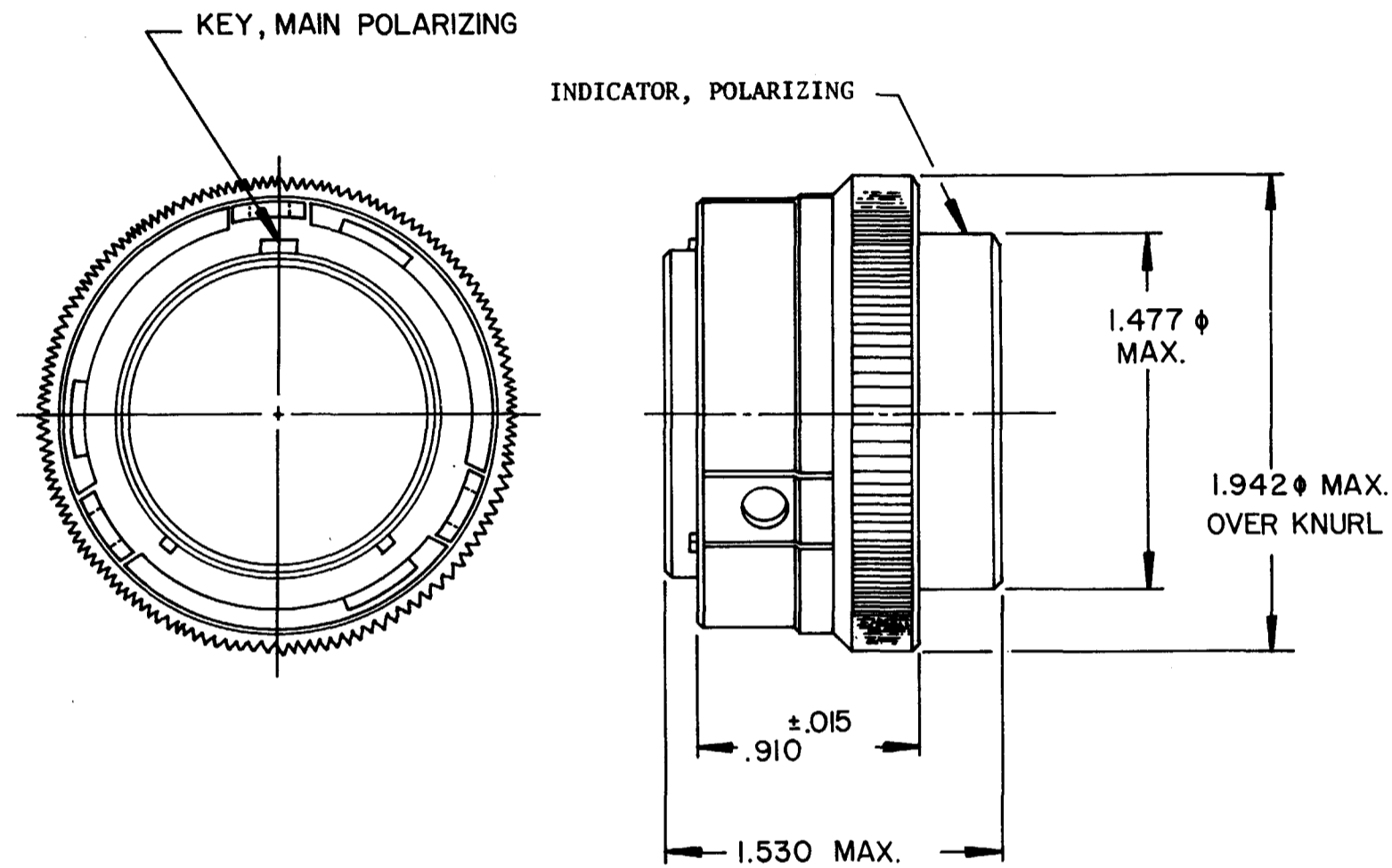


HDB36-24-23P/SN

REVISIONS

SYM	DESCRIPTION	DATE	APPROVED
N/C	NEW RELEASE PER E.O. 93872	3-28-83	<i>L. Still</i>



PINS SOCKETS  
CABLE END VIEW OF CONNECTOR WITH INSERTS

5. CONSULT FACTORY FOR AVAILABILITY.
4. DIMENSIONS ARE IN INCHES UNLESS OTHERWISE SPECIFIED.
3. THIS CONNECTOR SERIES WILL ACCOMMODATE THE FOLLOWING WIRE INSULATION DIAMETER.

CONTACT SIZE	MIN. O.D.	MAX. O.D.	WIRE GAGE RANGE
16	.100	.130	16 & 18

2. CONSULT FACTORY FOR ELECTRICAL AND MATERIAL SPECIFICATION.

1. PERTINENT INFORMATION:  
POWER CONTACTS

NOTE:

#16 PIN 0460-202-16141  
#16 SKT 0462-201-16141

SIGNATURE & DATE		PLUG, CONNECTOR BREAKAWAY BAYONET COUPLING REAR INSERTION & REMOVAL ENVIRONMENTAL  ENVELOPE	CP	MATL CODE
DR	<i>Ol Carter 3-28-83</i>		<b>The Deutsch Company</b> FIBER OPTICS DIVISION 7001 W. Imperial Highway Los Angeles, CA 90045	
CHK	<i>L. Still 4-1-83</i>		B	HDB36-24-23P/SN
PE	<i>(Signature) 3/24/83</i>		DWG SIZE	CODE 11139 SHEET   OF
APPD	<i>(Signature) 3/28/83</i>		SCALE NONE	WT

# Mouser Electronics

Authorized Distributor

Click to View Pricing, Inventory, Delivery & Lifecycle Information:

[TE Connectivity:](#)

[HDB36-24-23PN](#)