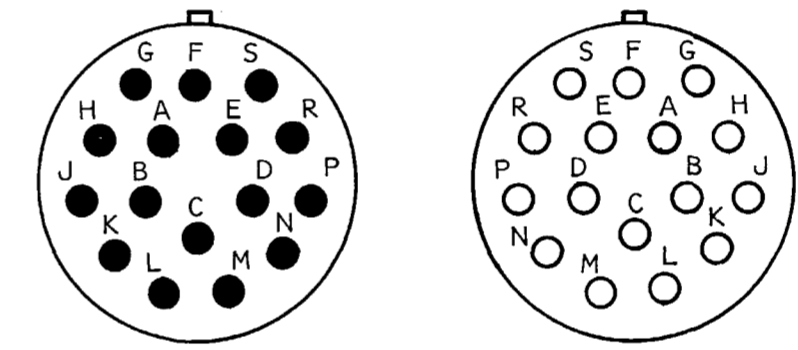
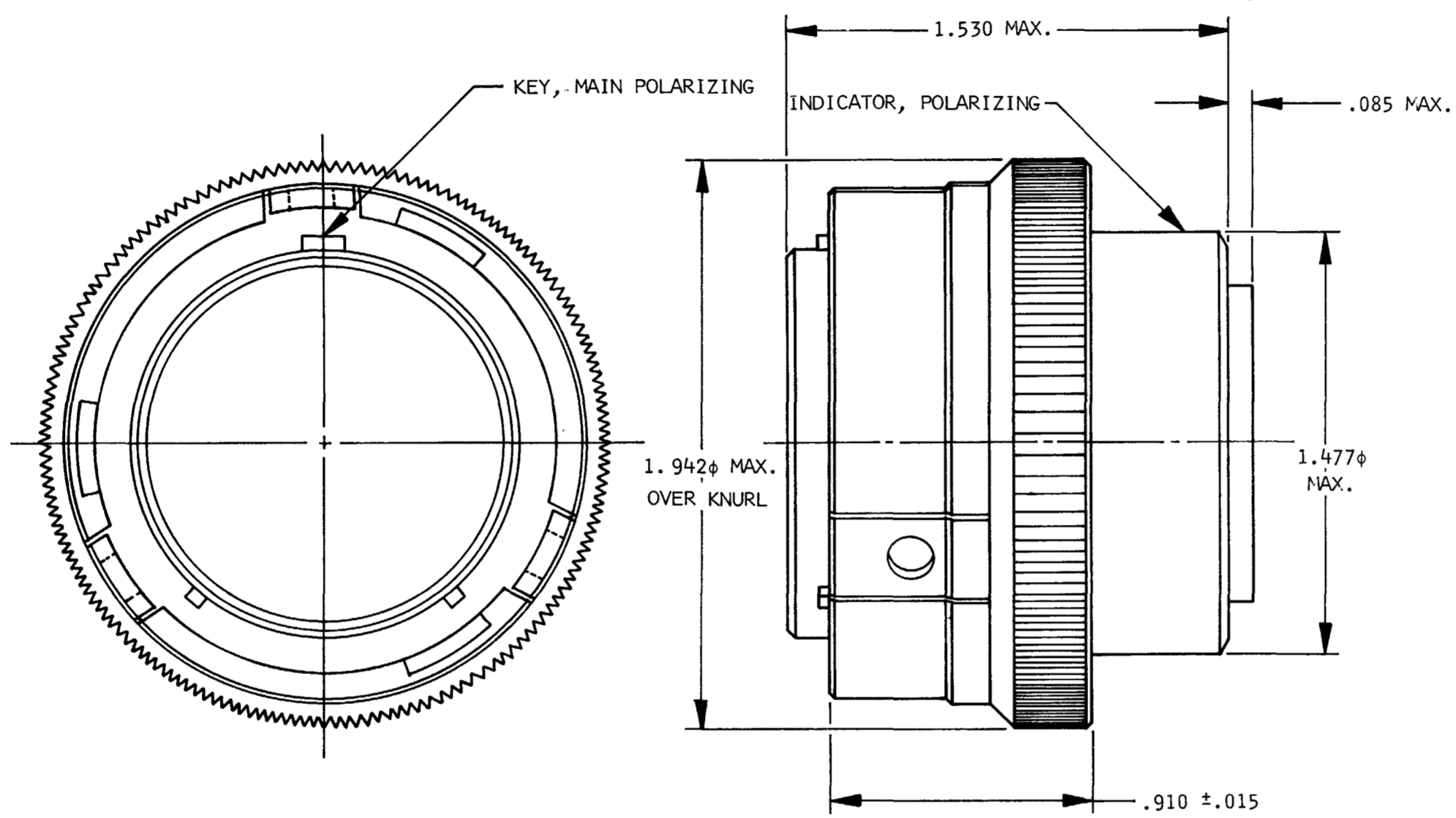


HDB36-24-16 P/SN

REVISIONS

SYM	DESCRIPTION	DATE	APPROVED
N/C	NEW RELEASE PER E.O. 91285	6-8-81	T.H.



CABLE END VIEW OF CONNECTOR WITH INSERTS


3. THIS CONNECTOR SERIES WILL ACCOMMODATE THE FOLLOWING DIAMETERS.

CONTACT SIZE	MIN. O.D.	MAX. O.D.	WIRE GAGE RANGE
12	.134	.170	12 & 14

2. CONSULT FACTORY FOR ELECTRICAL AND MATERIAL SPECIFICATION.

1. PERTINENT INFORMATION: POWER CONTACTS
PIN 0460-204-12141 SOC. 0462-203-12141.

NOTE:

SIGNATURE & DATE		PLUG, CONNECTOR BREAKAWAY BAYONET COUPLING REAR INSERTION & REMOVAL ENVIRONMENTAL ENVELOPE	CP _____	MATL CODE _____	
DR	<i>D. Whitcomb</i> 6-2-81		The Deutsch Company ELECTRONIC COMPONENTS DIVISION  Mather Airpark Banning, California		
CHK	<i>Vin Wolf</i> 6-8-81		B	HDB36-24-16 P/SN	
PE	<i>T. Wolf</i> 6-4-81			DWG SIZE	CODE 11139
APPD		SCALE NONE	WT _____		

Mouser Electronics

Authorized Distributor

Click to View Pricing, Inventory, Delivery & Lifecycle Information:

[TE Connectivity:](#)

[HDB36-24-16PN](#)