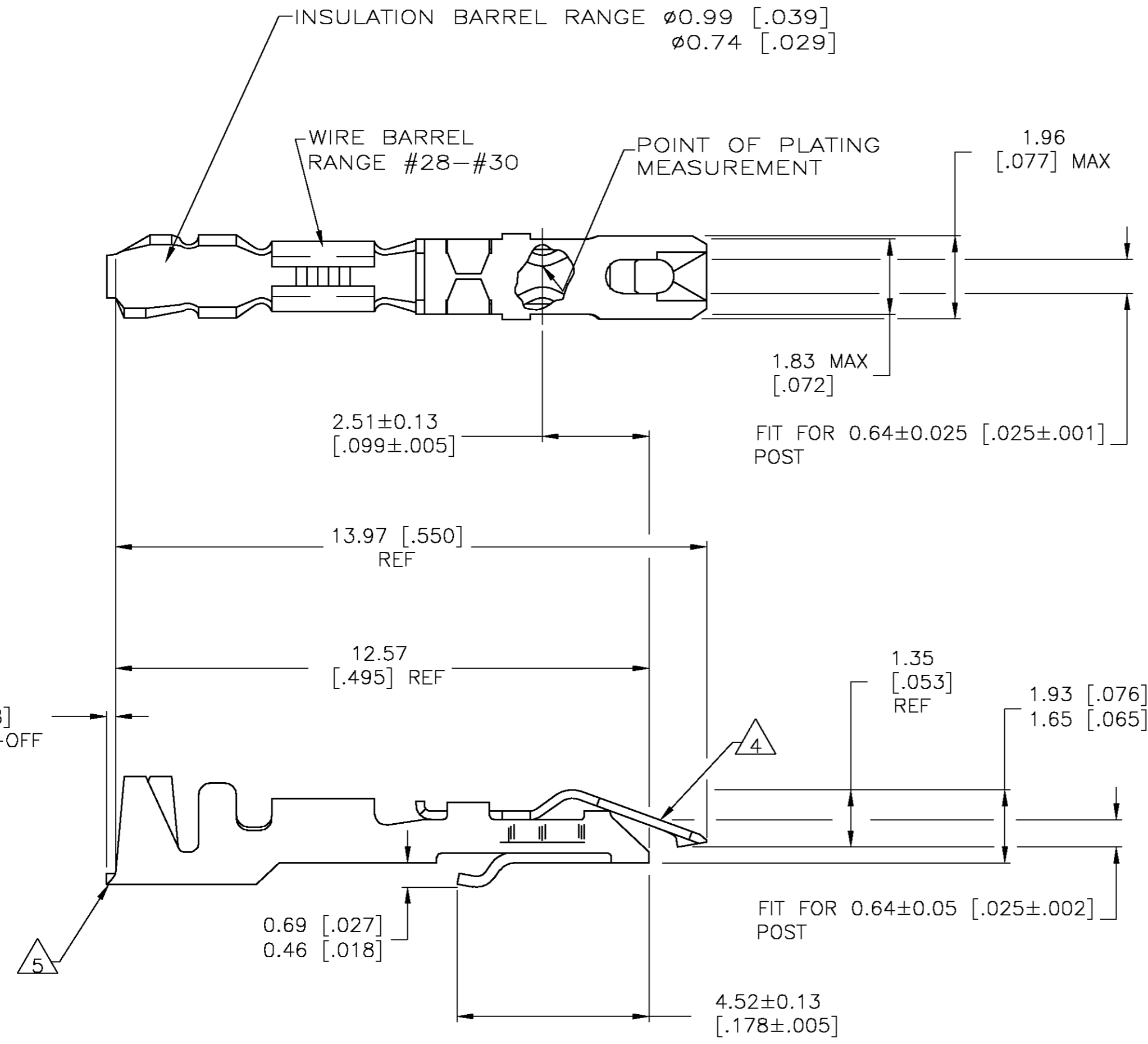


THIS DRAWING IS UNPUBLISHED. RELEASED FOR PUBLICATION  
 © COPYRIGHT BY TYCO ELECTRONICS CORPORATION. ALL RIGHTS RESERVED.

LOC	DIST	REVISIONS			
P	LTR	DESCRIPTION	DATE	DWN	APVD
AD	00	M	EC 0G3C 0215 05	04APR05	BSV/DLS



- 1 PLATED WITH 0.00076 [.000030] GOLD IN CONTACT AREA, GOLD FLASH ON REMAINDER, OVER 0.00127 [.000050] NICKEL.
- 2 PLATED WITH 0.00254 [.000100] TIN-LEAD OVER 0.00127 [.000050] NICKEL - ENTIRE CONTACT.
- 3 PLATED WITH 0.00127 [.000050] GOLD OVER 0.00127 [.000050] NICKEL - ENTIRE CONTACT.
- 4 SPRING MATERIAL: STAINLESS STEEL.
- 5 BODY MATERIAL: PHOS BRONZE - FINISH: SEE TABLE.
- 6 PLATED WITH 0.00254 [.000100] TIN OVER 0.00127 [.000050] NICKEL - ENTIRE CONTACT.

OBSOLETE	6	5-87191-2	5-87190-2
	3	87191-3	87190-3
	2	87191-2	87190-2
	1	87191-1	87190-1
	BODY FINISH	PART NO (LOOSE PIECE)	PART NUMBER (STRIP)

THIS DRAWING IS A CONTROLLED DOCUMENT.		DWN E. BRANDBERG 9-23-94	Tyco Electronics Corporation Harrisburg, Pa 17105-3608	
DIMENSIONS: mm [INCHES]		CHK S. SHUEY 9-23-94	NAME CONTACT - LOCKING CLIP FOR 0.64 [.025] SQUARE POST	
TOLERANCES UNLESS OTHERWISE SPECIFIED:		APVD D. DUPLER 9-23-94	PRODUCT SPEC 108-36028	
0 PLC ± - 1 PLC ± - 2 PLC ± - 3 PLC ± - 4 PLC ± - ANGLES ± -		APPLICATION SPEC 114-25006	SIZE A2	CAGE CODE 00779
MATERIAL SEE CALLOUT		FINISH SEE TABLE	DRAWING NO C=87191	RESTRICTED TO -
		WEIGHT -	SCALE 10:1	SHEET 1 OF 1
		CUSTOMER DRAWING	REV M	

# Mouser Electronics

Authorized Distributor

Click to View Pricing, Inventory, Delivery & Lifecycle Information:

[TE Connectivity:](#)

[5-87191-2](#)