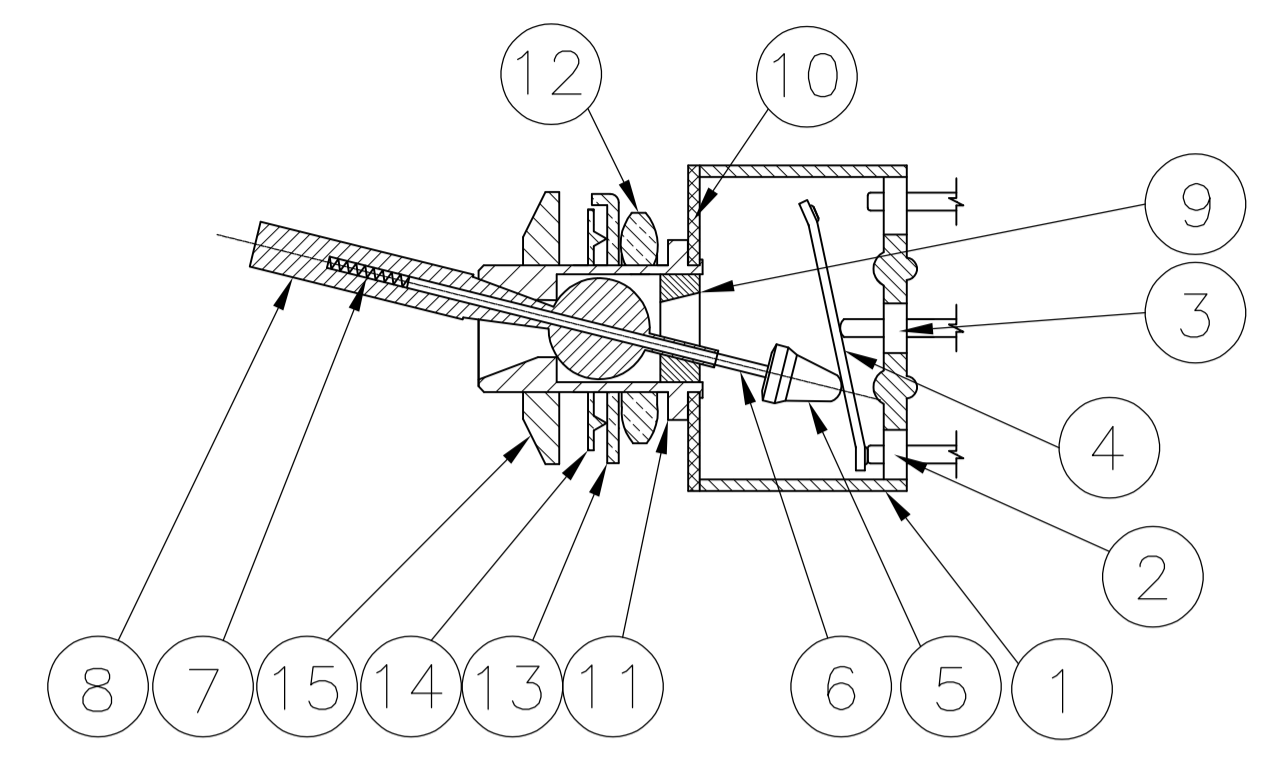
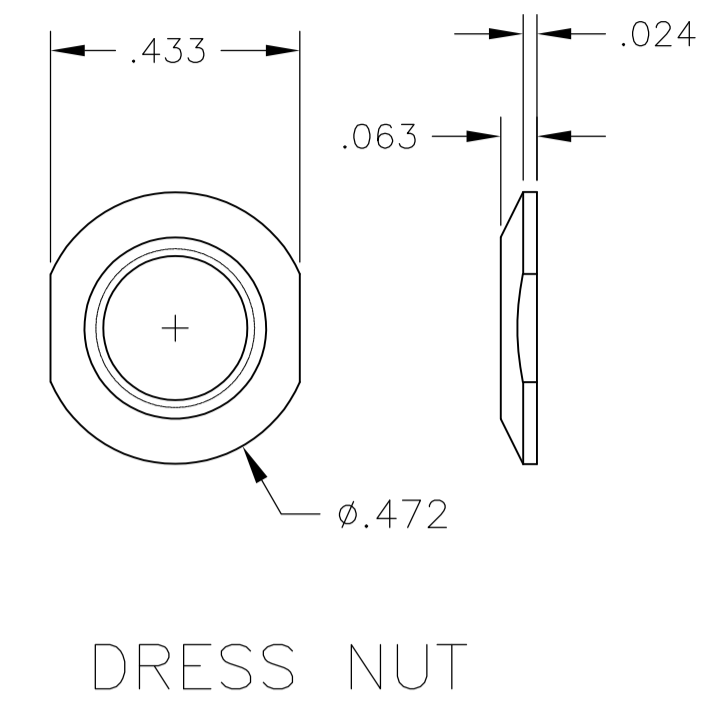
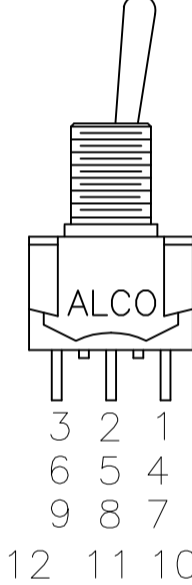
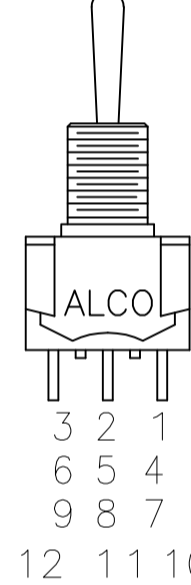
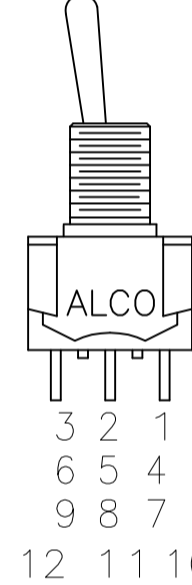


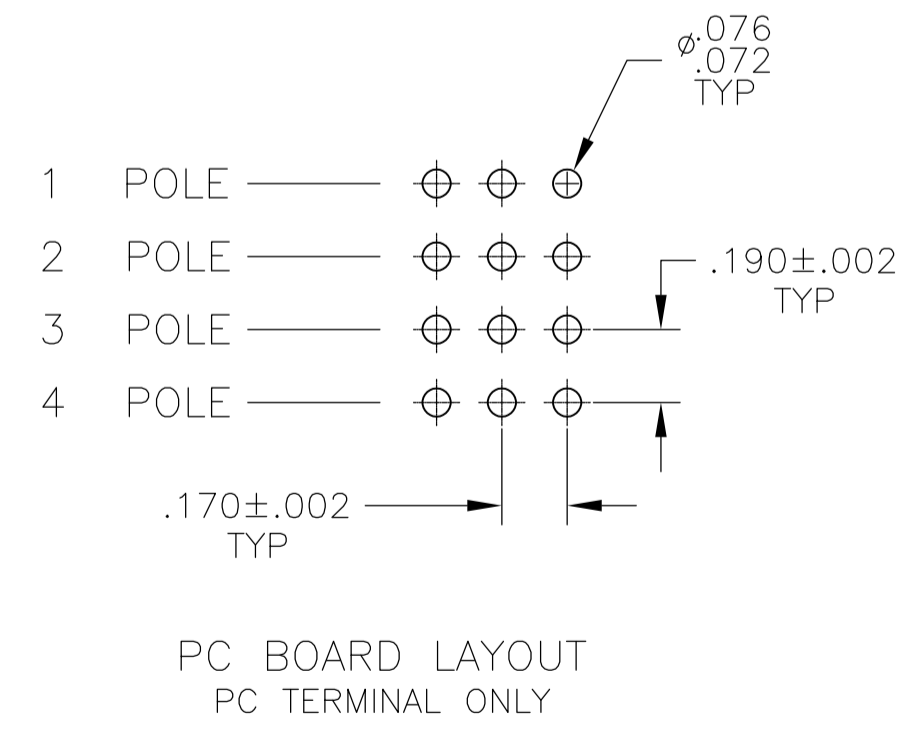
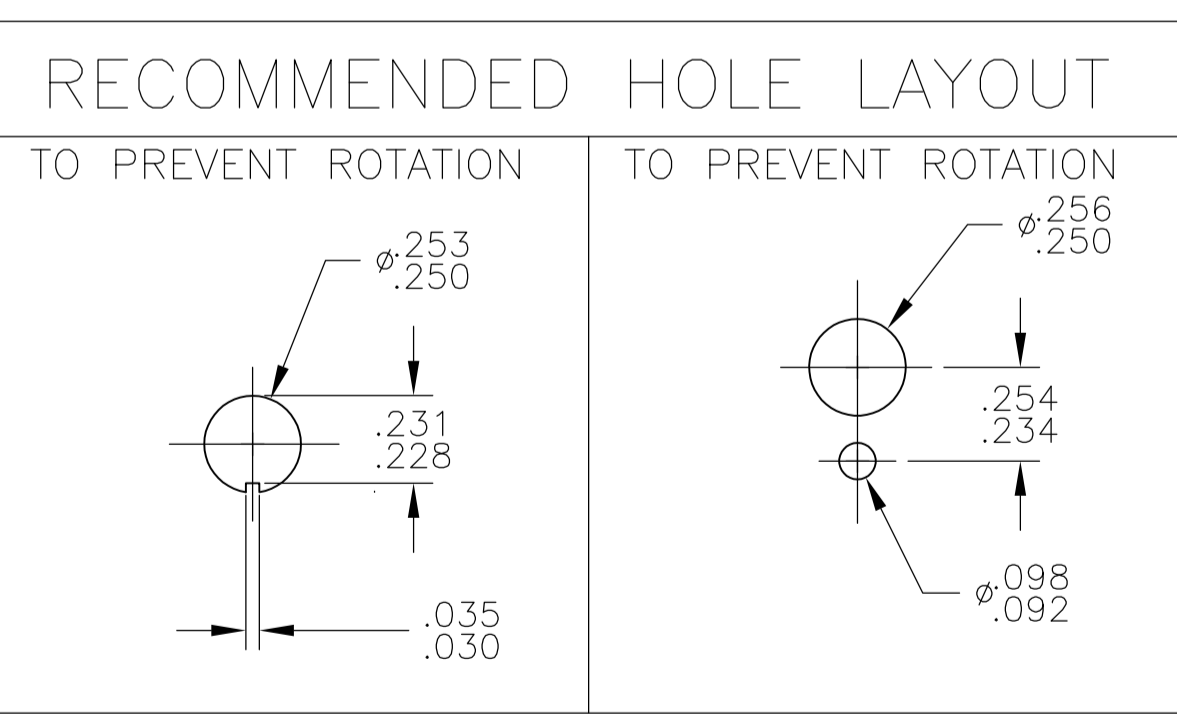
Materials			
No.	Component name	Base material	Finish
1	Housing	High Temp., UL 94V-0, green	
2	End terminal	silver clad copper alloy	5 microinches min. gold
3	Center terminal	copper alloy	5 microinches min. gold
4	Rocker contact	silver clad copper alloy	5 microinches min. gold
5	Actuator	Phenol resin, UL94 HB, black	
6	Plunger	stainless steel	
7	Spring	music wire	
8	Toggle	brass	nickel, see chart
9	Retainer	Polyamide, UL94 HB, black	
10	Frame	cold rolled steel	zinc or nickel
11	Bushing	brass	100 microinches min. nickel over 10 microinches min. copper
12	Mounting nuts (1)	brass	200 microinches min. bright nickel
13	Locating ring	cold rolled steel	zinc or nickel
14	Internal tooth lockwasher	steel	zinc or nickel
15	Dress Nut	Brass	200 microinches min bright nickel



NOT TO SCALE

Specifications—see note 3				
Current rating UL & CSA	6A @ 125 VAC (resistive)			
	3A @ 250 VAC (resistive)			
	4A @ 28 VDC (resistive)			
Termination resistance	20 milliohms max @ 2-4 VDC, 1A			
Insulation resistance	1,000 megohms min.			
Withstanding voltage	1,000 VAC			
Travel	24 +/-6 degrees			
Actuation force	.05 to 1.5 kgf			
Operating temperature	-20C to +85C			
Storage temperature	-40C to +85C			
Contact timing	break before make			
Terminal seal	epoxy or insert molded			
Durability	Parameter	2 Position	3 Position	Momentary
	mechanical (no load)	150,000	100,000	80,000
	250 VAC (3A resistive)	80,000	60,000	60,000
	125 VAC (6A resistive)	80,000	60,000	60,000
	28 VDC (4A resistive)	60,000	50,000	40,000

Part Number	Alco Model	Poles	Throws	Function	Terminal	Toggle	Finish				Comments
1437559-9	MTF426N	4	2	ON ON	Wire lug	bright nickel	2-3, 5-6, 8-9, 11-12	---	2-1, 5-4, 8-7, 11-10		
1437559-8	MTF406N	4	2	ON ON	Wire lug	matte nickel	2-3, 5-6, 8-9, 11-12	---	2-1, 5-4, 8-7, 11-10		
1437559-7	MTF326D	3	2	ON ON	Wire lug	bright nickel	2-3, 5-6, 8-9	---	2-1, 5-4, 8-7		
1437559-6	MTF306D	3	2	ON ON	Wire lug	matte nickel	2-3, 5-6, 8-9	---	2-1, 5-4, 8-7		
1437559-5	MTF226SA	1	3	(ON) ON (ON)	Wire lug	bright nickel	5-6	5-3	5-1	note 6	
1437559-4	MTF226S	2	2	(ON) OFF (ON)	Wire lug	bright nickel	2-3, 5-6	Off	2-1, 5-4		
1437559-3	MTF226R	2	2	ON (ON)	Wire lug	bright nickel	2-3, 5-6	---	2-1, 5-4		
1437559-2	MTF226PA	1	3	ON ON ON	Wire lug	bright nickel	5-6	5-3	5-1	note 6	
1437559-1	MTF226P	2	2	ON OFF ON	Wire lug	bright nickel	2-3, 5-6	Off	2-1, 5-4		
9-1437558-9	MTF226N	2	2	ON ON	Wire lug	bright nickel	2-3, 5-6	---	2-1, 5-4		
9-1437558-8	MTF206T	2	2	ON OFF (ON)	Wire lug	matte nickel	2-3, 5-6	Off	2-1, 5-4		
9-1437558-7	MTF206SA	1	3	(ON) ON (ON)	Wire lug	matte nickel	5-6	5-3	5-1	note 6	
9-1437558-6	MTF206S	2	2	(ON) OFF (ON)	Wire lug	matte nickel	2-3, 5-6	Off	2-1, 5-4		
9-1437558-5	MTF206R	2	2	ON (ON)	Wire lug	matte nickel	2-3, 5-6	---	2-1, 5-4		
9-1437558-4	MTF206PA	1	3	ON ON ON	Wire lug	matte nickel	5-6	5-3	5-1	note 6	
9-1437558-3	MTF206P	2	2	ON OFF ON	Wire lug	matte nickel	2-3, 5-6	Off	2-1, 5-4		
9-1437558-2	MTF206N	2	2	ON ON	Wire lug	matte nickel	2-3, 5-6	---	2-1, 5-4		
9-1437558-1	MTF126G	1	2	(ON) OFF (ON)	Wire lug	bright nickel	2-3	Off	2-1		
9-1437558-0	MTF126F	1	2	ON (ON)	Wire lug	bright nickel	2-3	---	2-1		
8-1437558-9	MTF126E	1	2	ON OFF ON	Wire lug	bright nickel	2-3	Off	2-1		
8-1437558-8	MTF126D	1	2	ON ON	Wire lug	bright nickel	2-3	---	2-1		
8-1437558-7	MTF106H	1	2	ON OFF (ON)	Wire lug	matte nickel	2-3	Off	2-1		
8-1437558-6	MTF106G	1	2	(ON) OFF (ON)	Wire lug	matte nickel	2-3	Off	2-1		
8-1437558-5	MTF106F	1	2	ON (ON)	Wire lug	matte nickel	2-3	---	2-1		
8-1437558-4	MTF106E	1	2	ON OFF ON	Wire lug	matte nickel	2-3	Off	2-1		
8-1437558-3	MTF106D	1	2	ON ON	Wire lug	matte nickel	2-3	---	2-1		

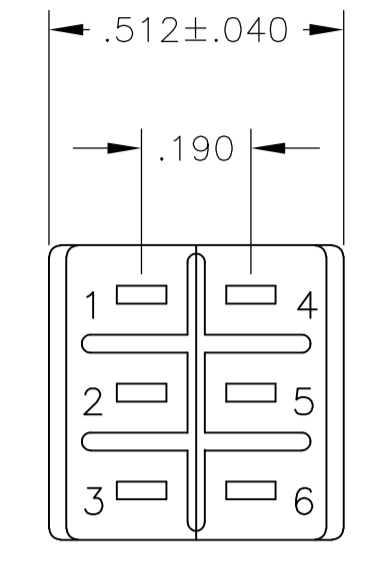
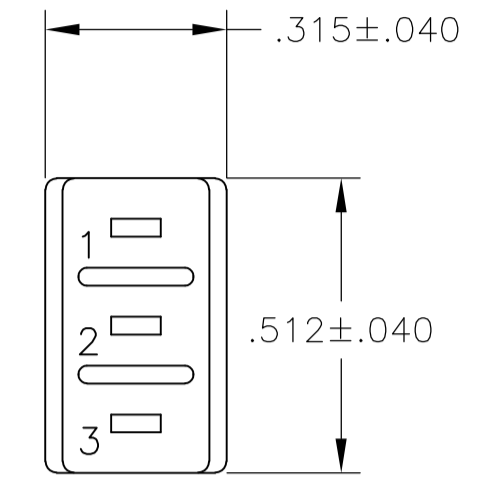
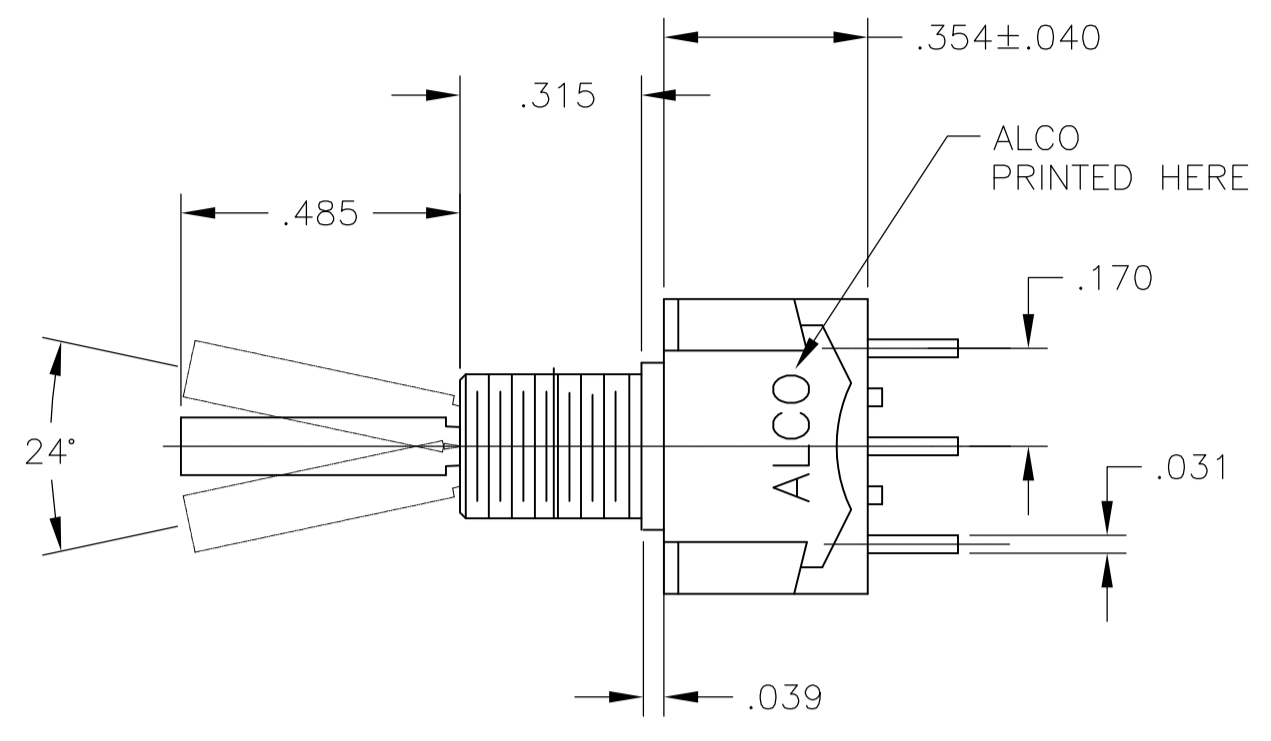


- NOTES:
- TERMINAL NUMBERS ARE FOR REFERENCE ONLY AND DO NOT APPEAR ON THE SWITCHES.
 - EACH SWITCH SUPPLIED WITH THE FOLLOWING MOUNTING HARDWARE:
 - (1) 1/4-40 UNS-2B HEX NUTS, (1) 1/4-40 UNS-2B DRESS NUTS
 - (1) INTERNAL TOOTH LOCKWASHER
 - (1) LOCATING RING
 - WIRE LUG CONTACTS WILL ACCEPT 2 #20 AWG SOLID OR STRANDED WIRES.
 - CUSTOMER INSTALLED EXTERNAL JUMPER BETWEEN TERMINALS 2 AND 4 REQUIRED FOR 1 POLE 3 THROW FUNCTION.
- 7 OBSOLETE
8. LASER MARKING USED FOR PARTS.

THIS DRAWING IS A CONTROLLED DOCUMENT. DIM INCHES. TOLERANCES UNLESS OTHERWISE SPECIFIED: 0 PLC ± .005, 1 PLC ± .005, 2 PLC ± .005, 3 PLC ± .005, 4 PLC ± .005. ANGLES ± .005.

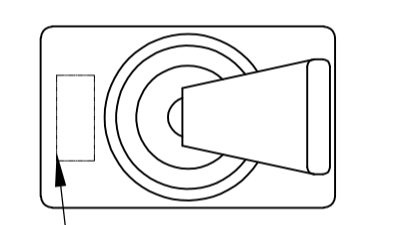
DIN M. BINNER OBPAP04
 CHK M. ZITTO OBPAP04
 APVD M. ZITTO OBPAP04
 NAME TOGGLE SWITCH, MTF SERIES VERTICAL MOUNT

SIZE A1 CASE CODE 00779 DRAWING NO. 8-1437558-3 RESTRICTED TO CUSTOMER DRAWING SCALE 2:1 SHEET 1 OF 3 REV D3

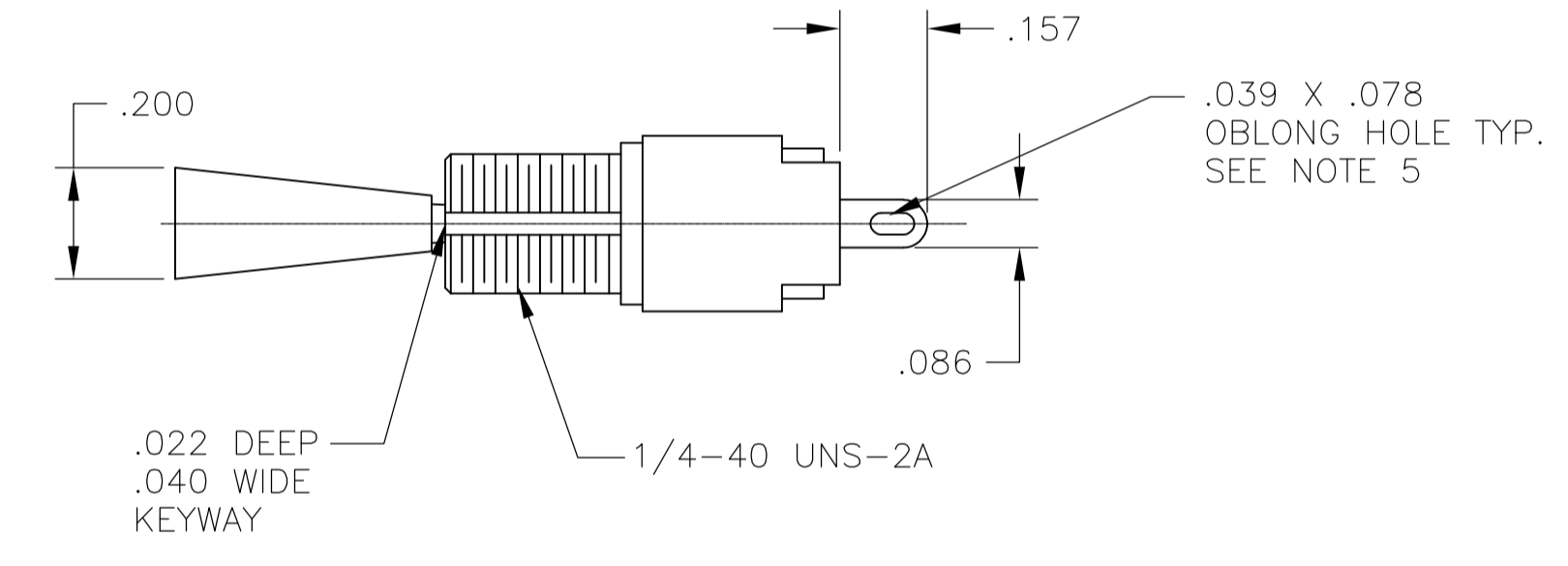


MTF-106

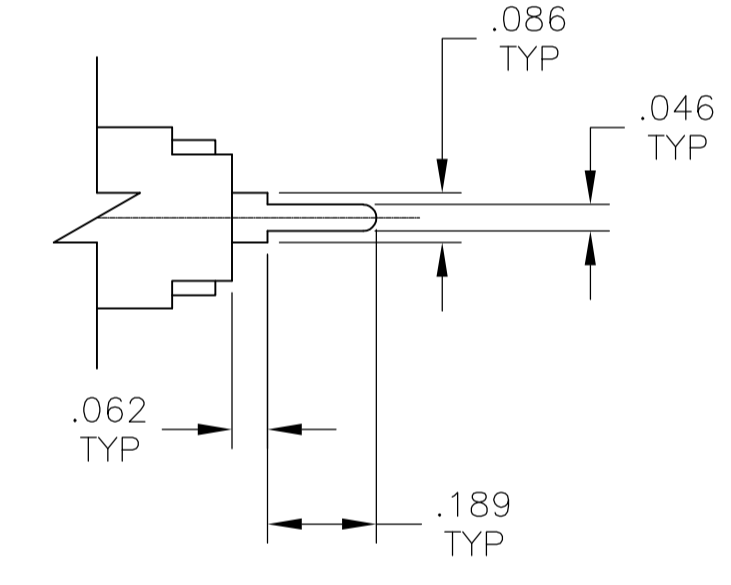
MTF-206



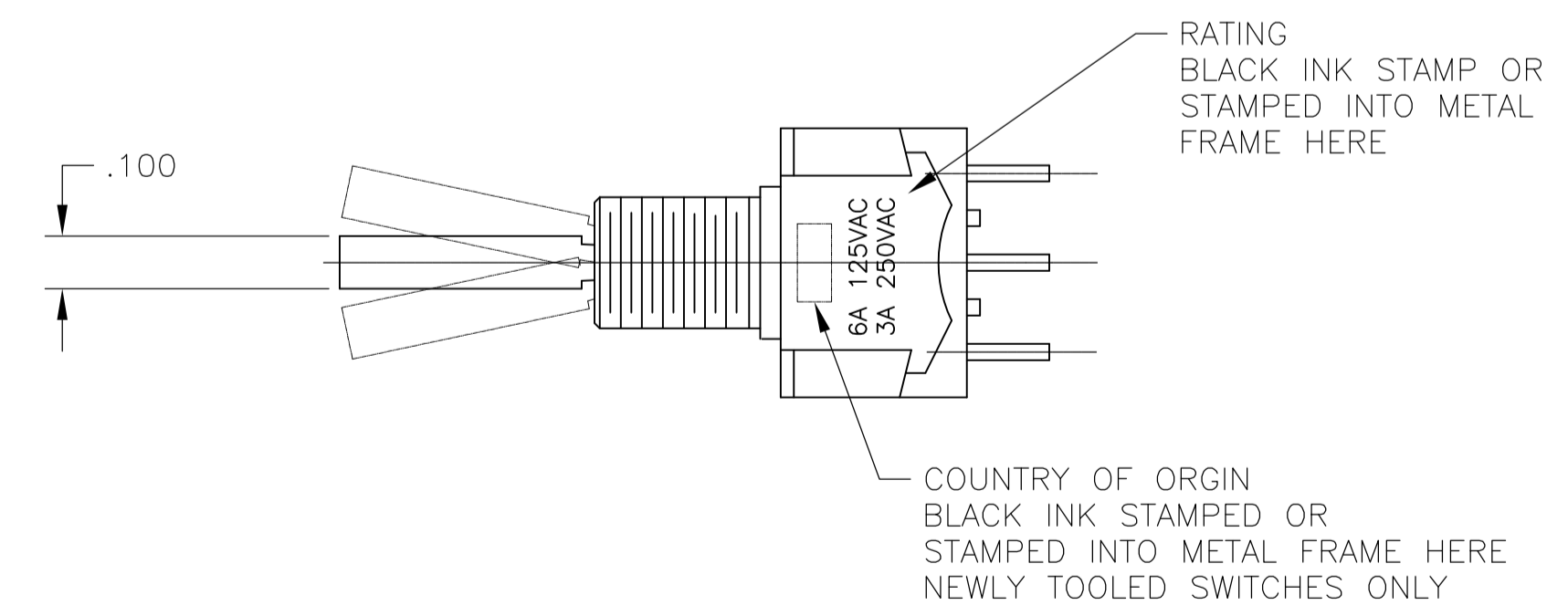
COUNTRY OF ORIGIN STAMPED HERE EXISTING SWITCHES ONLY



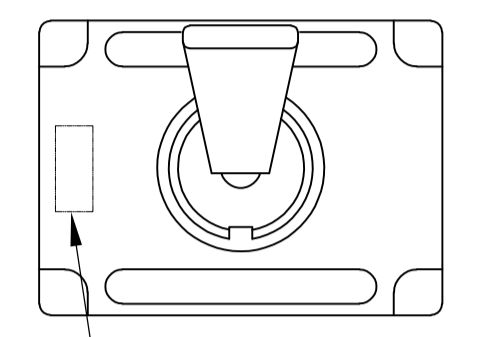
WIRE LUG TERMINAL



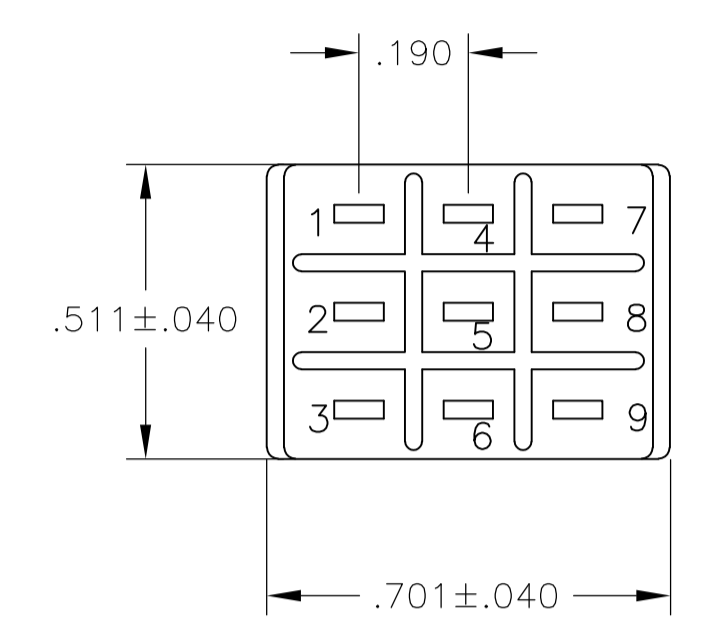
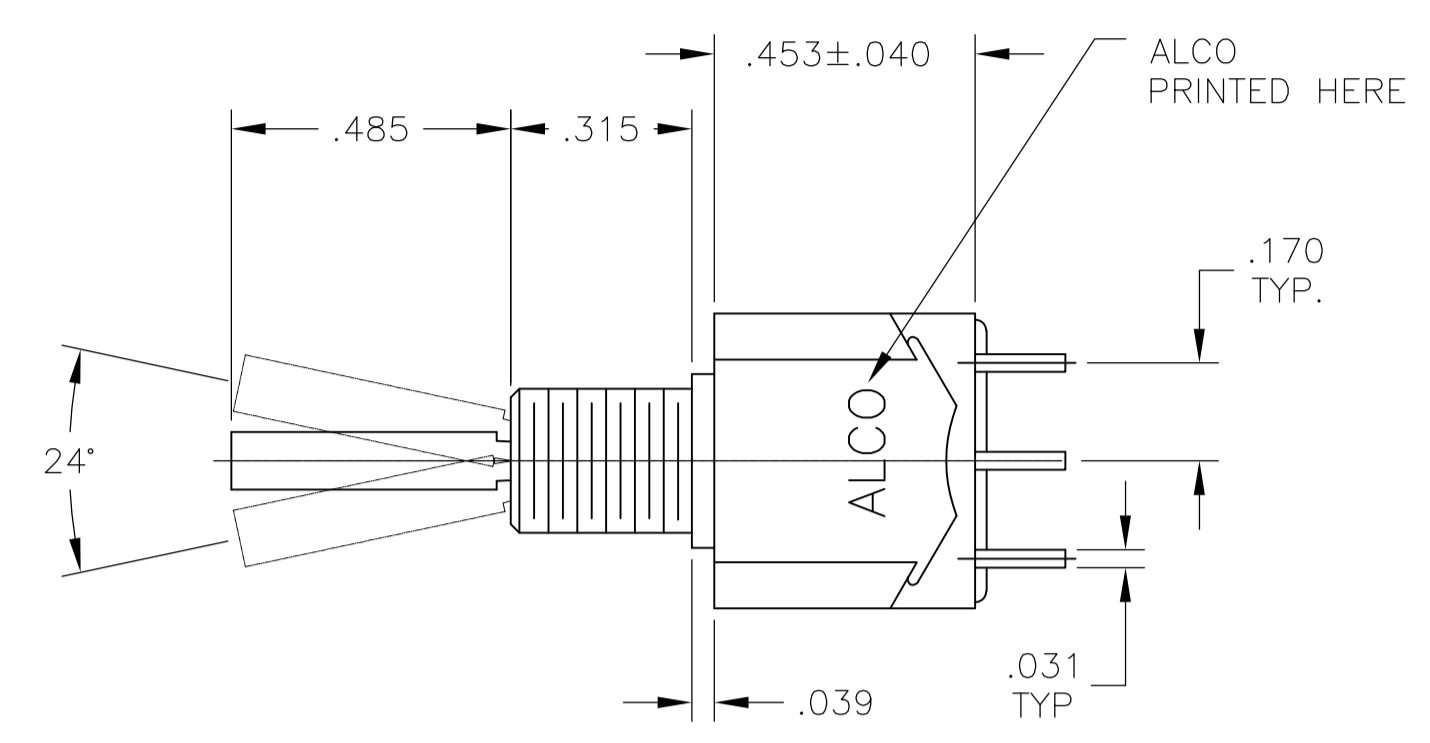
PC TERMINAL



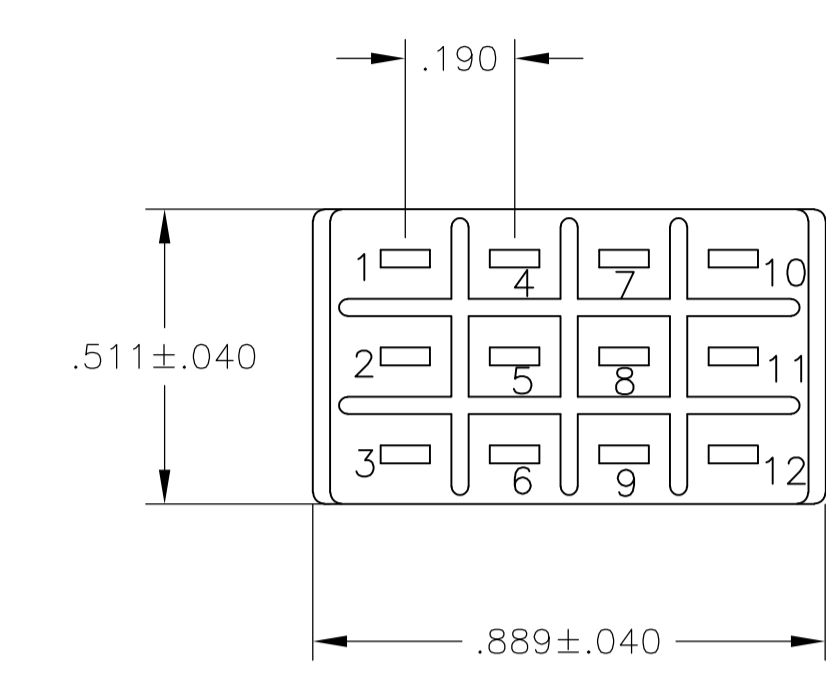
THIS DRAWING IS A CONTROLLED DOCUMENT.		DWN	M. BINNER	08APR04	
DIMENSIONS: INCHES		CHK	M. ZITTO	08APR04	
TOLERANCES UNLESS OTHERWISE SPECIFIED:		APP'D	M. ZITTO	08APR04	NAME
0. PLC	± .005	PRODUCT SPEC	TOGGLE SWITCH, MTF SERIES VERTICAL MOUNT		
1. PLC	± .005	APPLICATION SPEC	SIZE	A1	CAGE CODE
2. PLC	± .005	WEIGHT	000779		DRAWING NO
3. PLC	± .005	CUSTOMER DRAWING	8-1437558-3		RESTRICTED TO
4. PLC	± .005	SCALE	3:1		SHEET
ANGLES	± .005				2 OF 3
FINISH					REV
					D3



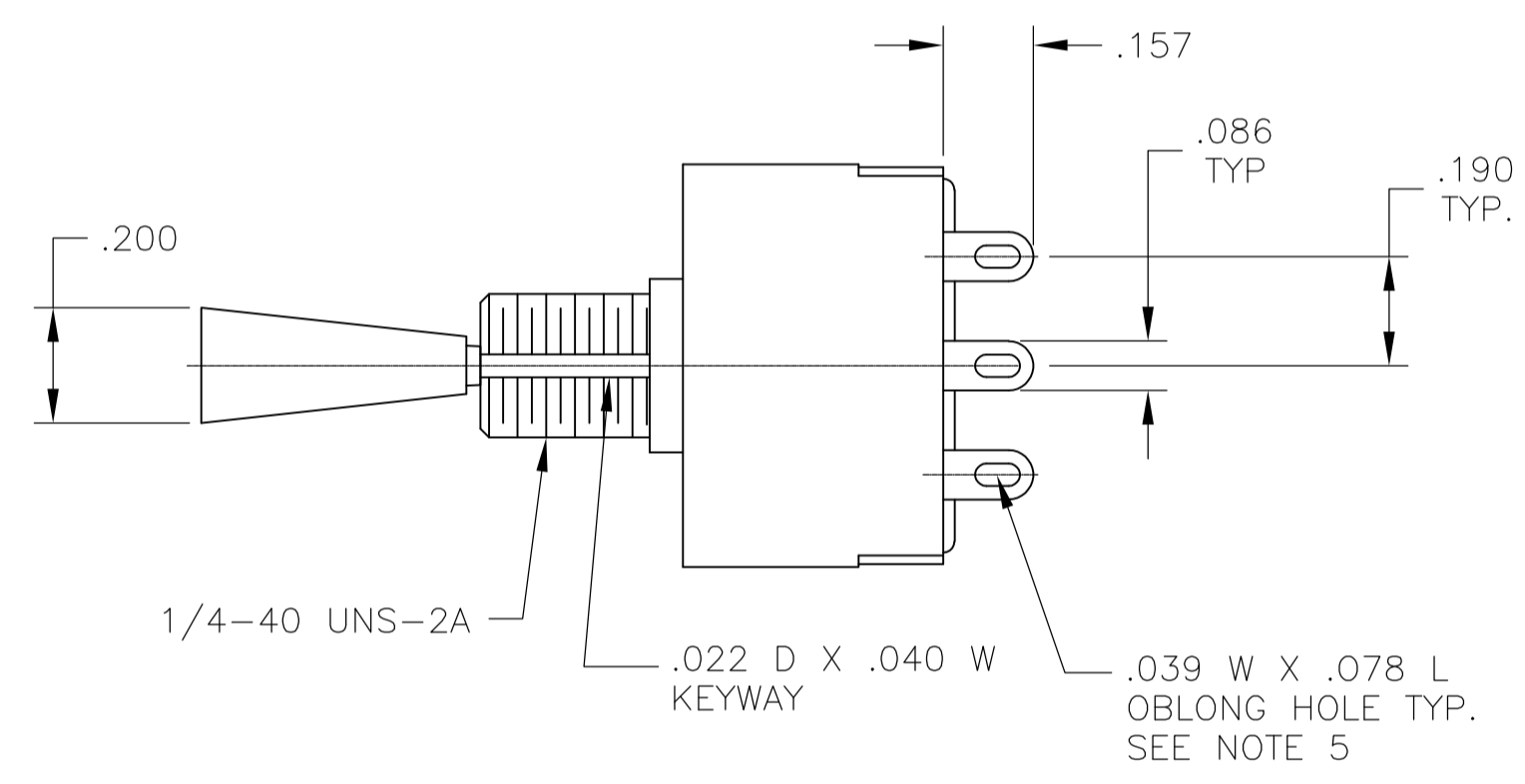
COUNTRY OF ORIGIN STAMPED HERE EXISTING SWITCHES ONLY



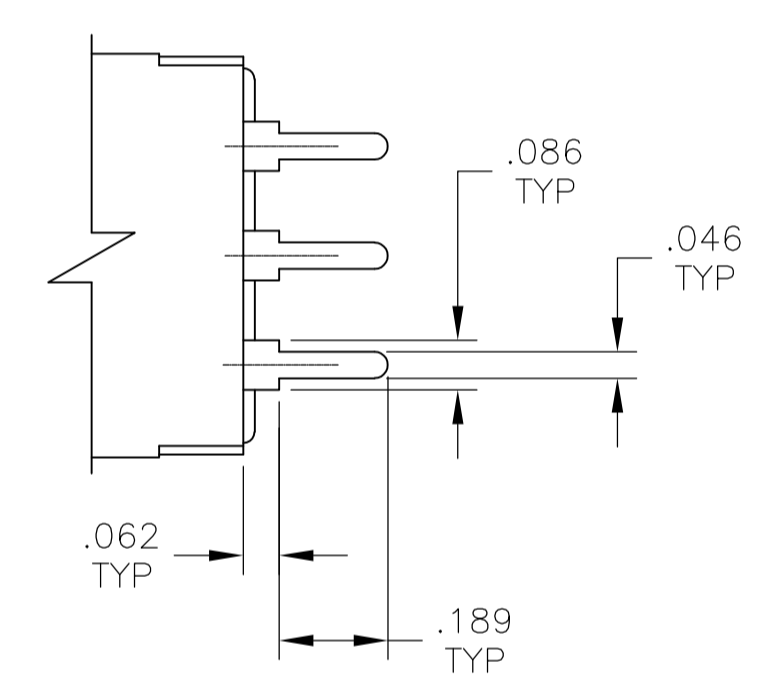
MTF-306



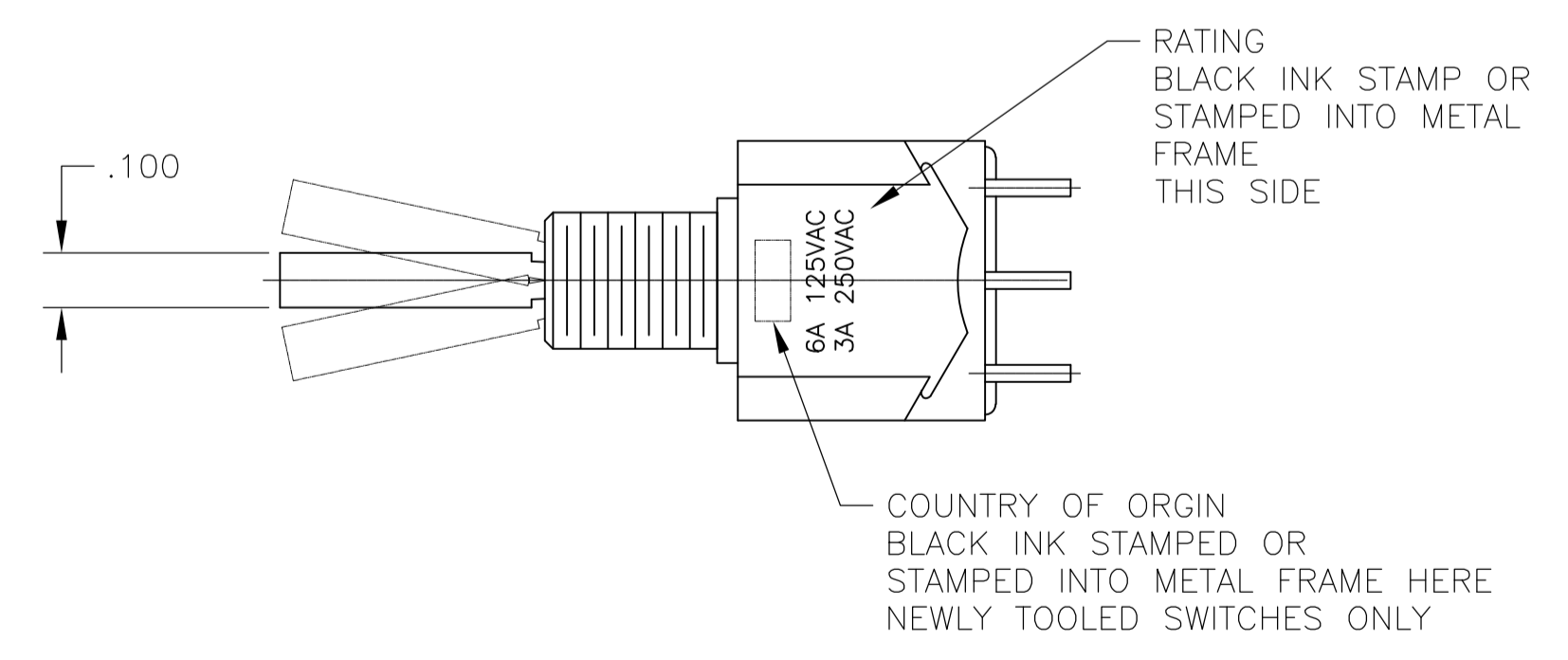
MTF-406



WIRE LUG TERMINAL



PC TERMINAL



THIS DRAWING IS A CONTROLLED DOCUMENT.		DWG: M. BINNER	OBAPR04	 TE Connectivity
DIMENSIONS: INCHES		CHK: M. ZITTO	OBAPR04	
TOLERANCES UNLESS OTHERWISE SPECIFIED:		NAME: TOGGLE SWITCH, MTF SERIES VERTICAL MOUNT		RESTRICTED TO
0. PLC	± .005	PRODUCT SPEC		
1. PLC	± .005	APPLICATION SPEC		SCALE: 3:1
2. PLC	± .005	SIZE: A1		
3. PLC	± .005	CAGE CODE: 8-1437558-3		SHEET 3 OF 3
4. PLC	± .005	DRAWING NO: 00779		
ANGLES	± .005	WEIGHT: --		REV D3
MATERIAL: --		CUSTOMER DRAWING		

Mouser Electronics

Authorized Distributor

Click to View Pricing, Inventory, Delivery & Lifecycle Information:

[TE Connectivity:](#)

[MTF306D](#)