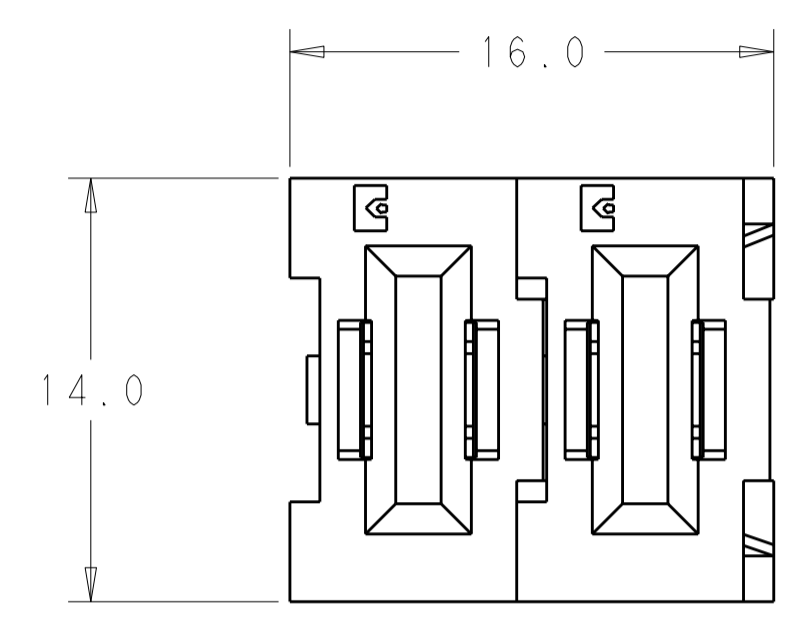


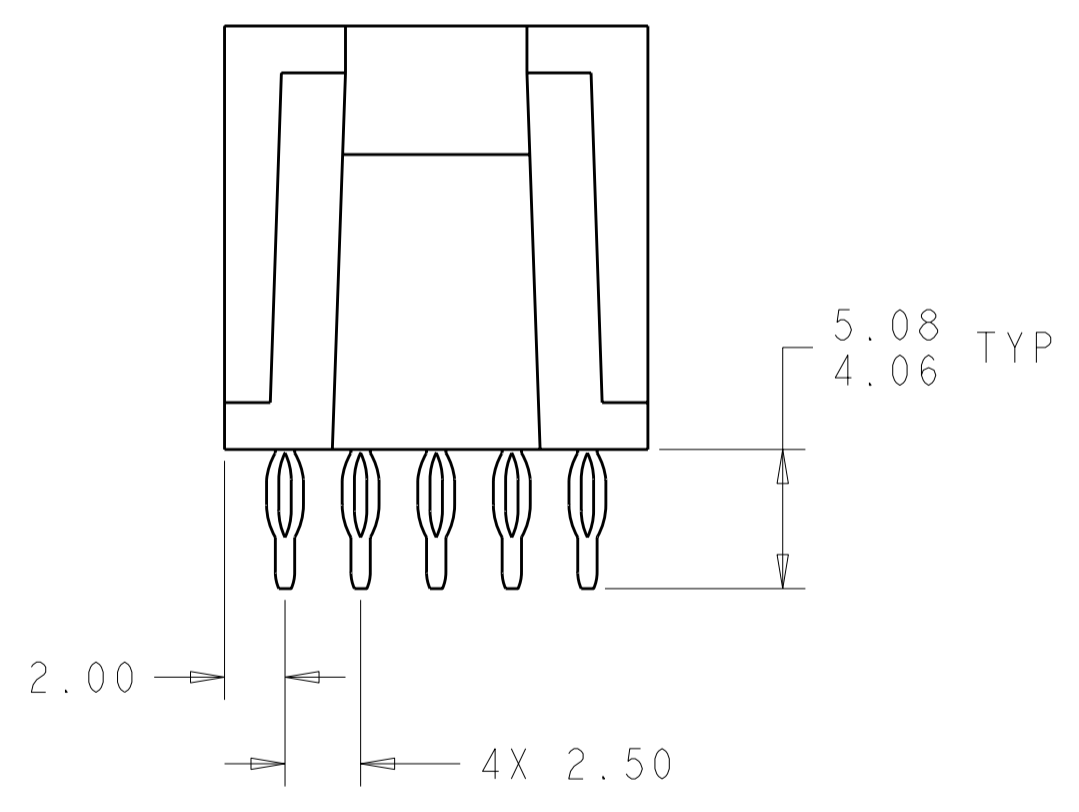
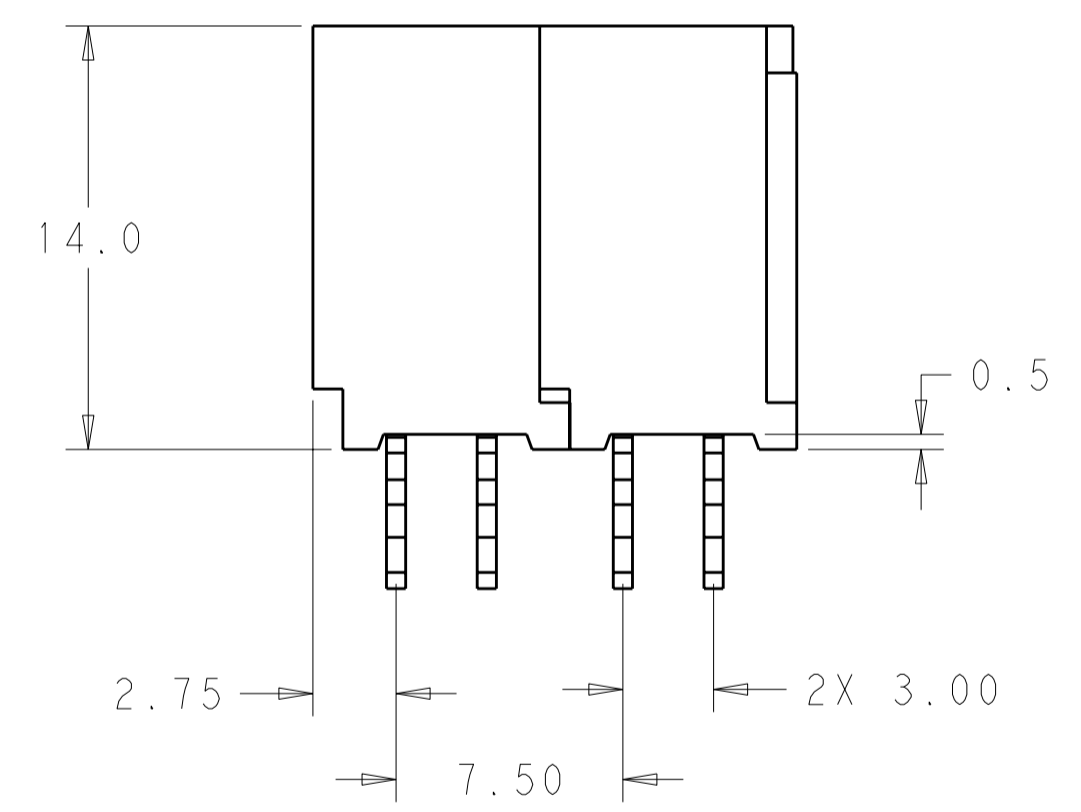
THIS DRAWING IS UNPUBLISHED. RELEASED FOR PUBLICATION 20
 © COPYRIGHT 20 TE ALL RIGHTS RESERVED.

LOC	DIST	REVISIONS					
GP	00	P	LTR	DESCRIPTION	DATE	DWN	APVD
			A	RELEASED	04APR2011	RG	MB



- 1 MATERIAL:
 INSULATOR - THERMOPLASTIC, GLASS REINFORCED,
 COLOR: BLACK
 UL94V-0 FLAMABILITY RATED
 POWER CONTACTS- PHOSPHOR BRONZE ALLOY,
 COPPER ALLOY
 CROWN BANDS - BERYLLIUM COPPER ALLOY
- 2 FINISH:
 CONTACTS - GOLD PLATED 0.76µm MIN. THK OVER NICKEL
 1.27µm MIN. THK
 COMPLIANT TAILS - TIN PLATE 2.54µm MIN. THK. OVER
 NICKEL 1.27µm MIN THK.
3. ITEMS PROVIDED TO THIS SPECIFICATION TO BE PERMANENTLY IDENTIFIED ON THE CONTAINER PER THE FOLLOWING IDENTIFIER:

YEAR WEEK
 TE CONNECTIVITY P/N DATE CODE (e.g. 0106)
 XXXXXXXX-X XXXX

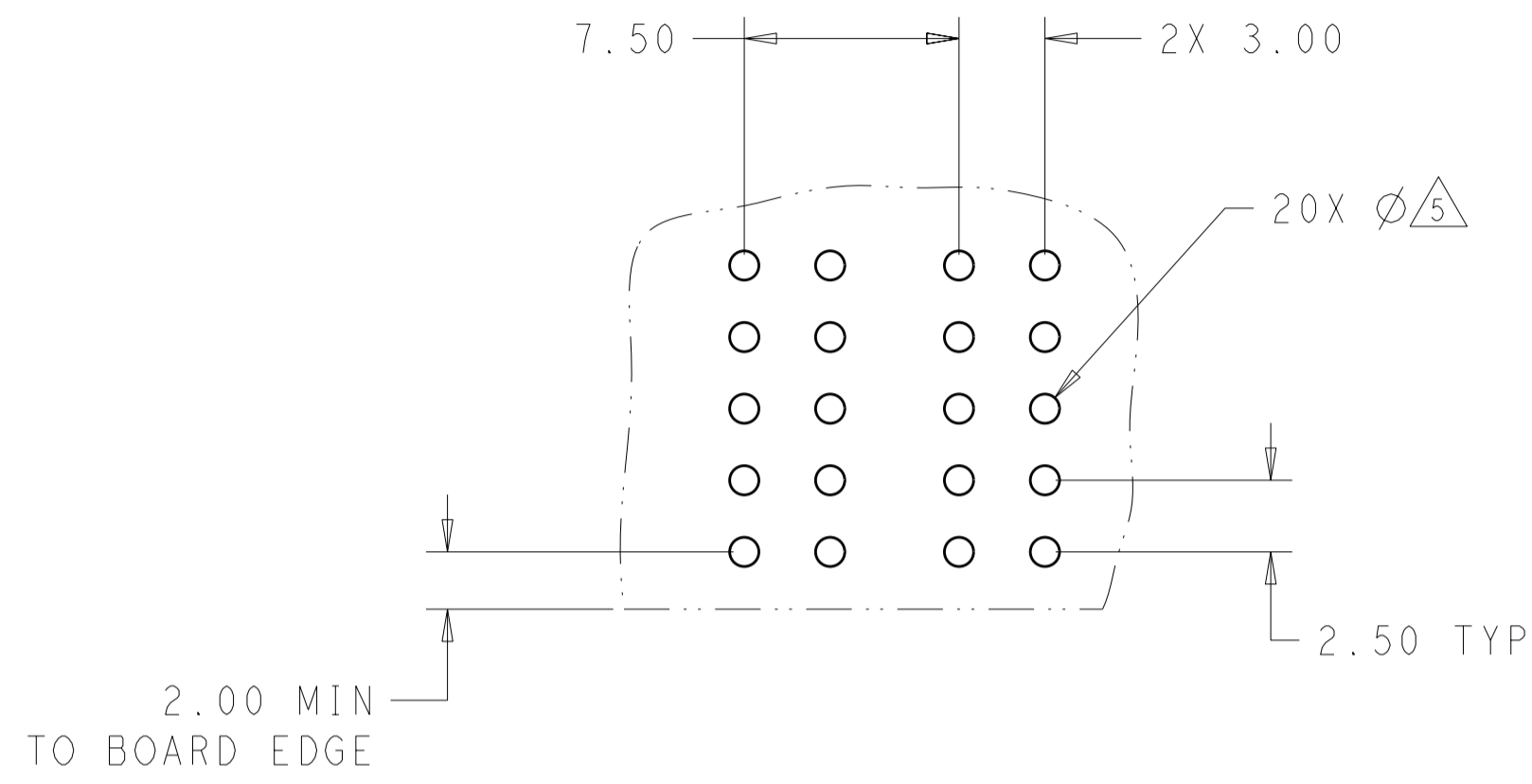


6646506-1
 PART NUMBER

THIS DRAWING IS A CONTROLLED DOCUMENT.		DWN R. GRZYBOWSKI 25MAR2011	TE Connectivity	
DIMENSIONS: mm		CHK M. BOWERS 25MAR2011		
TOLERANCES UNLESS OTHERWISE SPECIFIED:		APVD M. BOWERS 25MAR2011	NAME SOCKET CONNECTOR ASSEMBLY VERTICAL, COMPLIANT TAIL FLATPAQ	
0 PLC ± 1 PLC ±0.5 2 PLC ±0.25 3 PLC ± 4 PLC ± ANGLES ± FINISH 2		PRODUCT SPEC -	SIZE A200779	DRAWING NO C-6646506
MATERIAL 1		APPLICATION SPEC -	RESTRICTED TO -	
		WEIGHT -	SCALE 4:1	SHEET 1 OF 3 REV A
		CUSTOMER DRAWING		

THIS DRAWING IS UNPUBLISHED. RELEASED FOR PUBLICATION 20
 © COPYRIGHT 20 TE ALL RIGHTS RESERVED.

LOC	DIST	REVISIONS			
P	LTR	DESCRIPTION	DATE	DWN	APVD
GP	00	-	SEE SHEET 1	-	-



PRINTED CIRCUIT LAYOUT
 COMPONENT SIDE

CONNECTOR	CATALOG MODULE #	QTY	SIZE NO.	CONTACT QTY	MATING PIN	MAX. CURRENT (PER CONTACT)	CONTACT SPACING	VOLTAGE RATING
SOCKET	FP200	2	8	2	1.25 X 7.00	35 amps	7.50	250 VOLTS

THIS DRAWING IS A CONTROLLED DOCUMENT.

DWN R. GRZYBOWSKI 25MAR2011	TE Connectivity SOCKET CONNECTOR ASSEMBLY VERTICAL, COMPLIANT TAIL FLATPAQ
CHK M. BOWERS 25MAR2011	
APVD M. BOWERS 25MAR2011	
PRODUCT SPEC -	
DIMENSIONS: mm 	
TOLERANCES UNLESS OTHERWISE SPECIFIED: 0 PLC ± 1 PLC ±0.5 2 PLC ±0.25 3 PLC ± 4 PLC ± ANGLES ± FINISH ±	
MATERIAL: - WEIGHT: - CUSTOMER DRAWING	
NAME: - SIZE: A2 CAGE CODE: 00779 DRAWING NO: 6646506 RESTRICTED TO: -	SCALE: 4:1 SHEET: 2 OF 3 REV: A

Mouser Electronics

Authorized Distributor

Click to View Pricing, Inventory, Delivery & Lifecycle Information:

[TE Connectivity:](#)

[6646506-1](#)