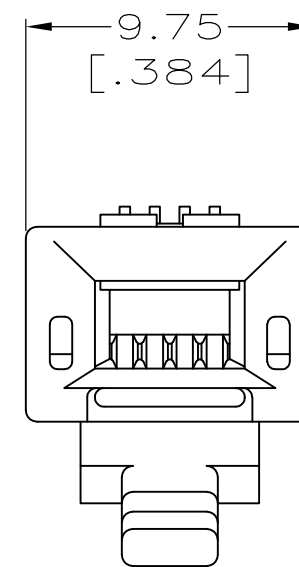
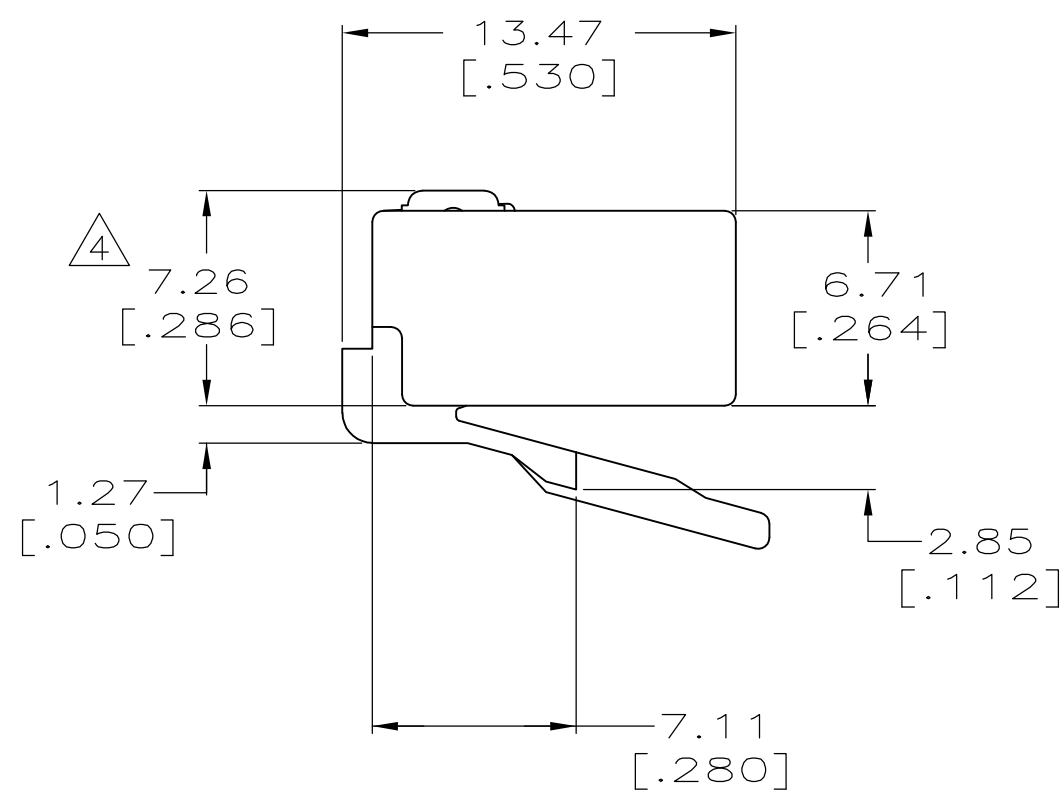
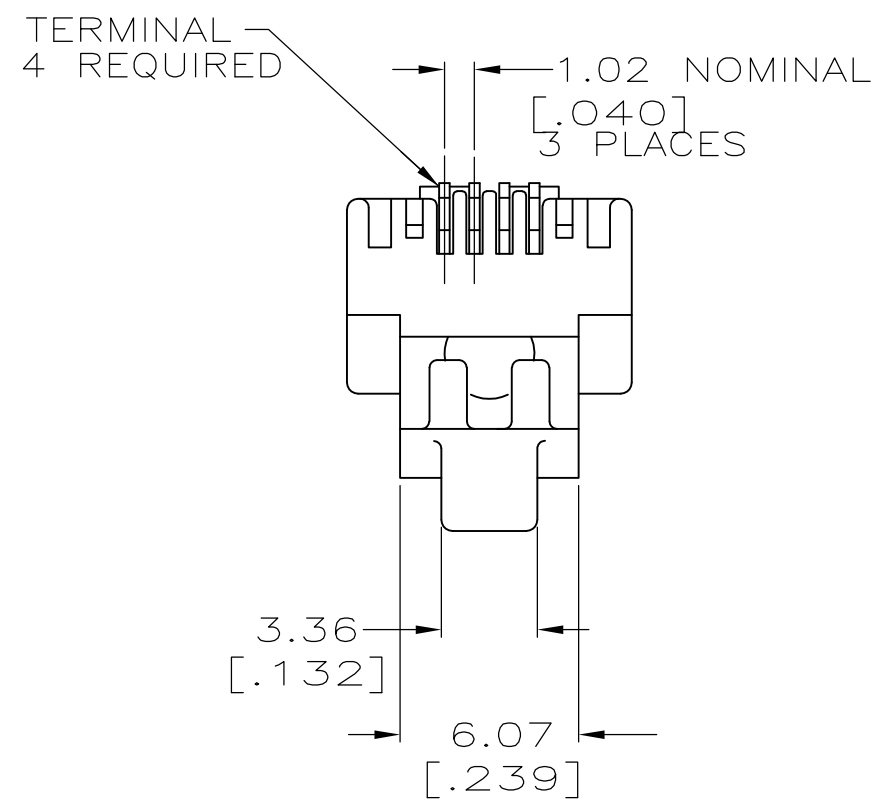
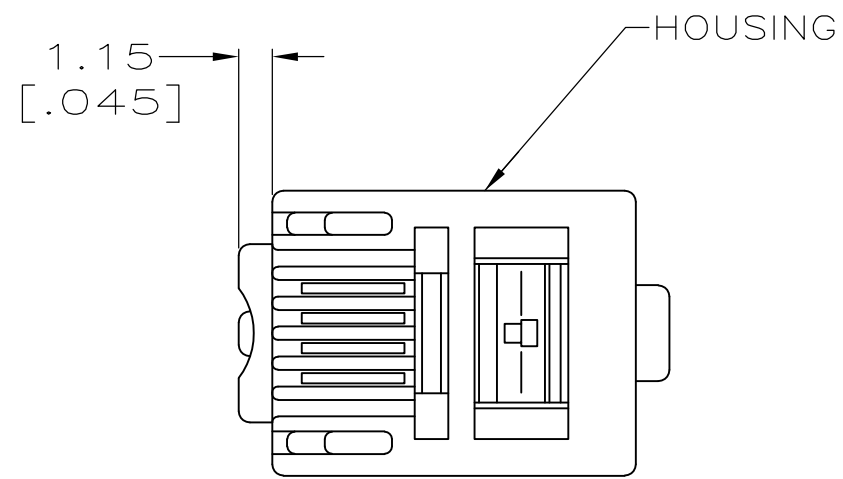


THIS DRAWING IS UNPUBLISHED. RELEASED FOR PUBLICATION  
 © COPYRIGHT BY TYCO ELECTRONICS CORPORATION. ALL RIGHTS RESERVED.

LOC	DIST	REVISIONS			
P	LTR	DESCRIPTION	DATE	DWN	APVD
HM	00	J	REV ECO-14-011315	25JUL2014	GG LS

- 1. ALL DIMENSIONS SHOWN ARE MAXIMUM UNLESS OTHERWISE SPECIFIED.
- 2. MATERIAL: HOUSING- POLYCARBONATE, CLEAR  
 TERMINAL- .36 [.014] THICK PHOSPHOR BRONZE PLATED WITH .178μm [.000007] THICK GOLD IN LOCALIZED PLATE AREA OVER .762μm [.000030] THICK PALLADIUM NICKEL IN LOCALIZED PLATE AREA OVER 2.54μm [.000100] THICK NICKEL ON ENTIRE CONTACT.
- 3. PLUG WILL ACCEPT 24 OR 26 AWG SOLID WIRE HAVING A MAXIMUM INSULATION DIAMETER OF 0.99 [.039] AND A MAXIMUM ROUND CABLE JACKET DIAMETER OF 2.54 [.100] OR OVAL CABLE JACKET OF 2.29 X 4.83 [.090 X .190] MAXIMUM.
- 4. TERMINATED DIMENSION: 6.15 [.242] MAXIMUM.
- 5. 1000 PIECES PER PACKAGE.
- 6. 100 PIECES PER PACKAGE.



6	LOOSE PIECE	5-556384-3
5		5-556384-2
PACKAGED	DESCRIPTION	PART NO.

THIS DRAWING IS A CONTROLLED DOCUMENT.		DWN L. HALL 21FEB2008	Tyco Electronics Corporation Harrisburg, PA 17105-3608	
DIMENSIONS: MM [INCHES]		CHK B. MCNEILL 21FEB2008	NAME	
TOLERANCES UNLESS OTHERWISE SPECIFIED:		APVD B. MCNEILL 21FEB2008	PRODUCT SPEC	
0 PLC ± -	1	108-1163	MODULAR PLUG ASSEMBLY, 4 POSITION, SOLID WIRE, 24 AND 26 AWG	
1 PLC ± -	2	APPLICATION SPEC	SIZE A2	CAGE CODE 00779
2 PLC ± -	3	114-6016	DRAWING NO C=556384	RESTRICTED TO -
3 PLC ± -	4	FINISH	SCALE 4:1	SHEET 1 of 1
4 PLC ± -	ANGLE ± -		REV J	
MATERIAL -	FINISH -	WEIGHT -	CUSTOMER DRAWING	

# Mouser Electronics

Authorized Distributor

Click to View Pricing, Inventory, Delivery & Lifecycle Information:

[TE Connectivity Divested:](#)

[5-556384-3](#)