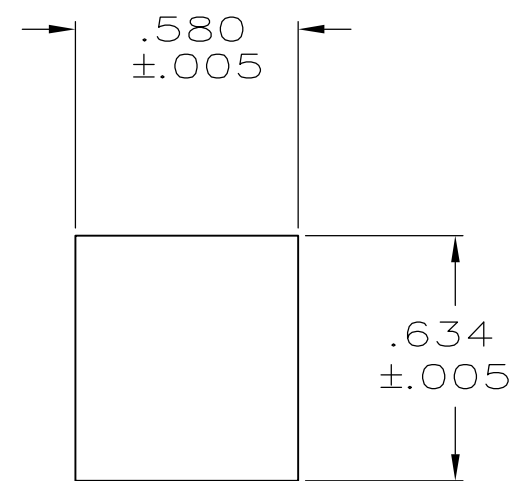
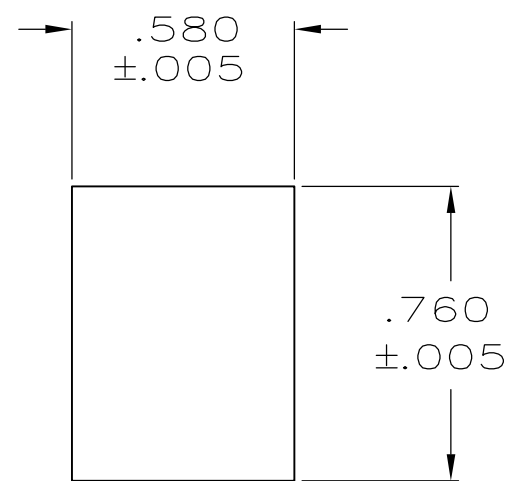
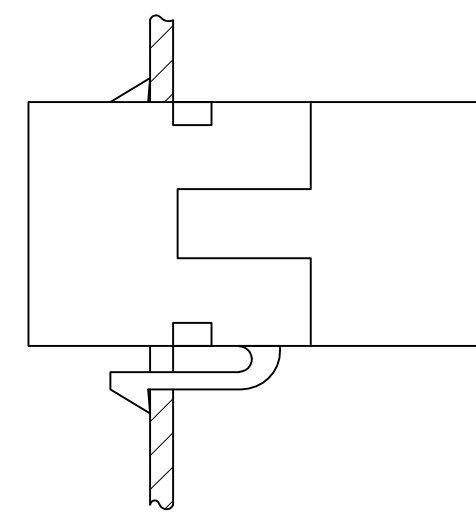
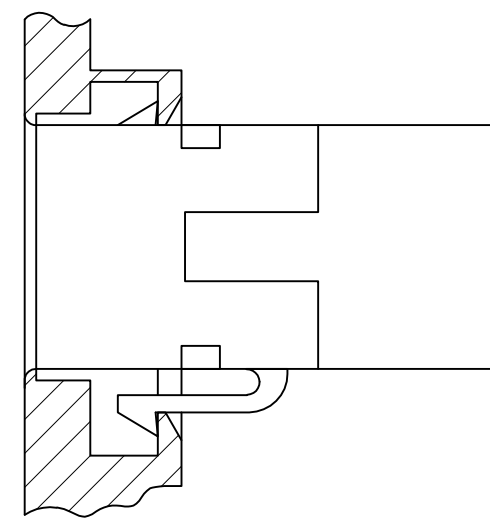
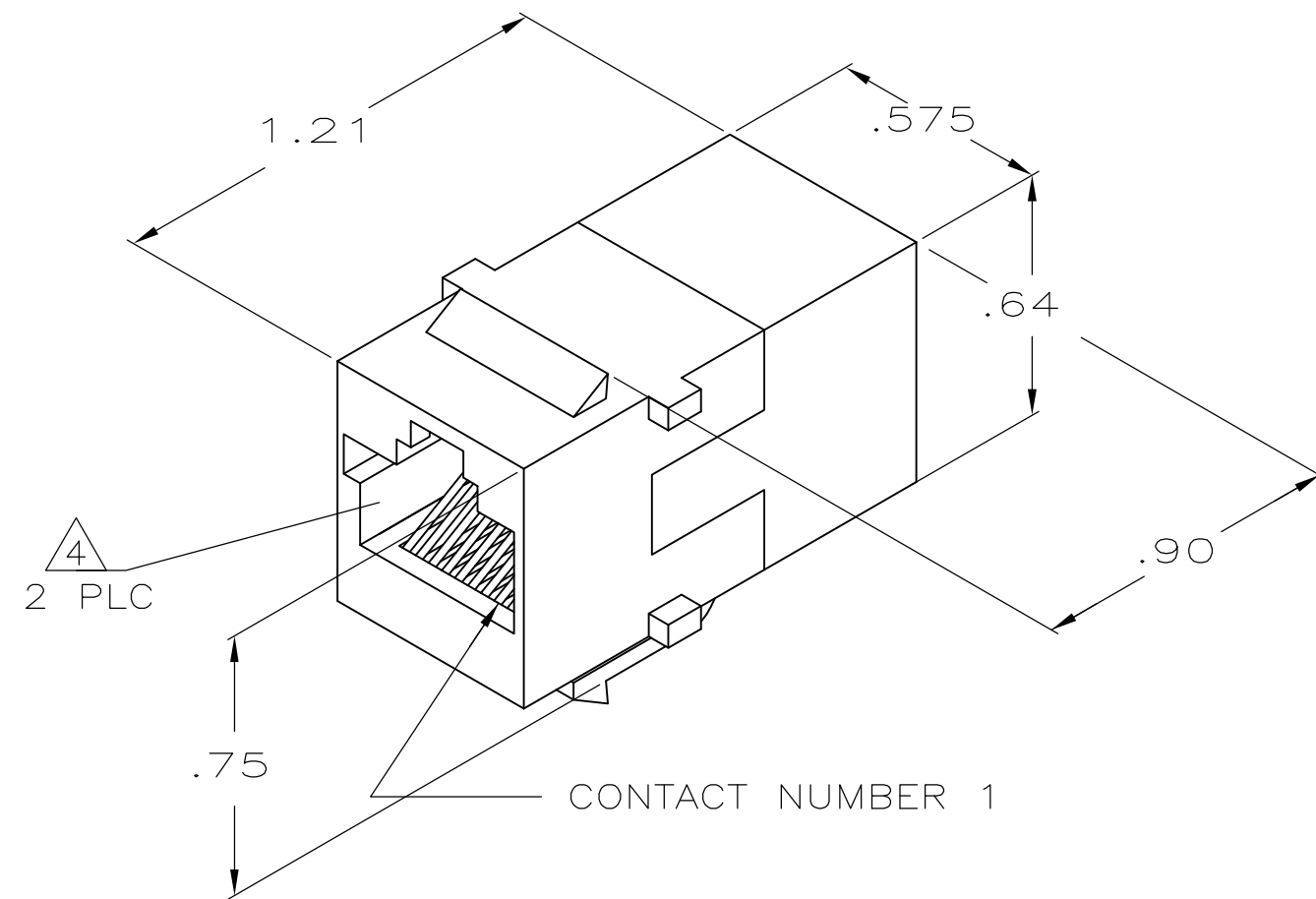


THIS DRAWING IS UNPUBLISHED. RELEASED FOR PUBLICATION
 © COPYRIGHT - By - ALL RIGHTS RESERVED.

LOC		DIST		REVISIONS			
P	LTR	DESCRIPTION		DATE	DWN	APVD	
		C2		REVISED PER ECO-13-016445	19DEC2013	GG	RA

- ALL DIMENSIONS SHOWN ARE MAXIMUM UNLESS OTHERWISE SPECIFIED.
- MATERIAL:
 HOUSING - POLYPHENYLENE OXIDE, BLACK.
 TERMINAL - .018 DIA PHOSPHOR BRONZE PLATED WITH .000030 MINIMUM THICK GOLD OVER .000050 MINIMUM THICK NICKEL.
- MOUNTING PANEL THICKNESS .062 NOMINAL.
- CAVITIES SHALL CONFORM TO FCC RULES AND REGULATIONS, PART 68, SUBPART F.



RECOMMENDED PANEL CUTOUT FOR SINGLE WALL PLATE AND BACK PANEL FOR DOUBLE WALL PLATE

RECOMMENDED FRONT PANEL CUTOUT FOR DOUBLE WALL PLATE

THIS DRAWING IS A CONTROLLED DOCUMENT.		DWN	LARRY H. SMITH	9-9-87	555376-1		
DIMENSIONS: INCHES		CHK	A.C. CLARK	9-9-87	PART NO		
TOLERANCES UNLESS OTHERWISE SPECIFIED:		APVD	R. NELSON	9-9-87	TE Connectivity		
0 PLC ± -		PRODUCT SPEC	NAME		COUPLER ASSEMBLY, 8 POSITON, IN-LINE KEYED		
1 PLC ± -		APPLICATION SPEC	SIZE		CAGE CODE	DRAWING NO	RESTRICTED TO
2 PLC ± -		WEIGHT	A2		00779	C=555376	-
3 PLC ± -		CUSTOMER DRAWING	SCALE		2:1	SHEET	1 of 1
4 PLC ± -			REV		C2		
ANGLES ± -							
FINISH							

Mouser Electronics

Authorized Distributor

Click to View Pricing, Inventory, Delivery & Lifecycle Information:

[TE Connectivity Divested:](#)

[555376-1](#)