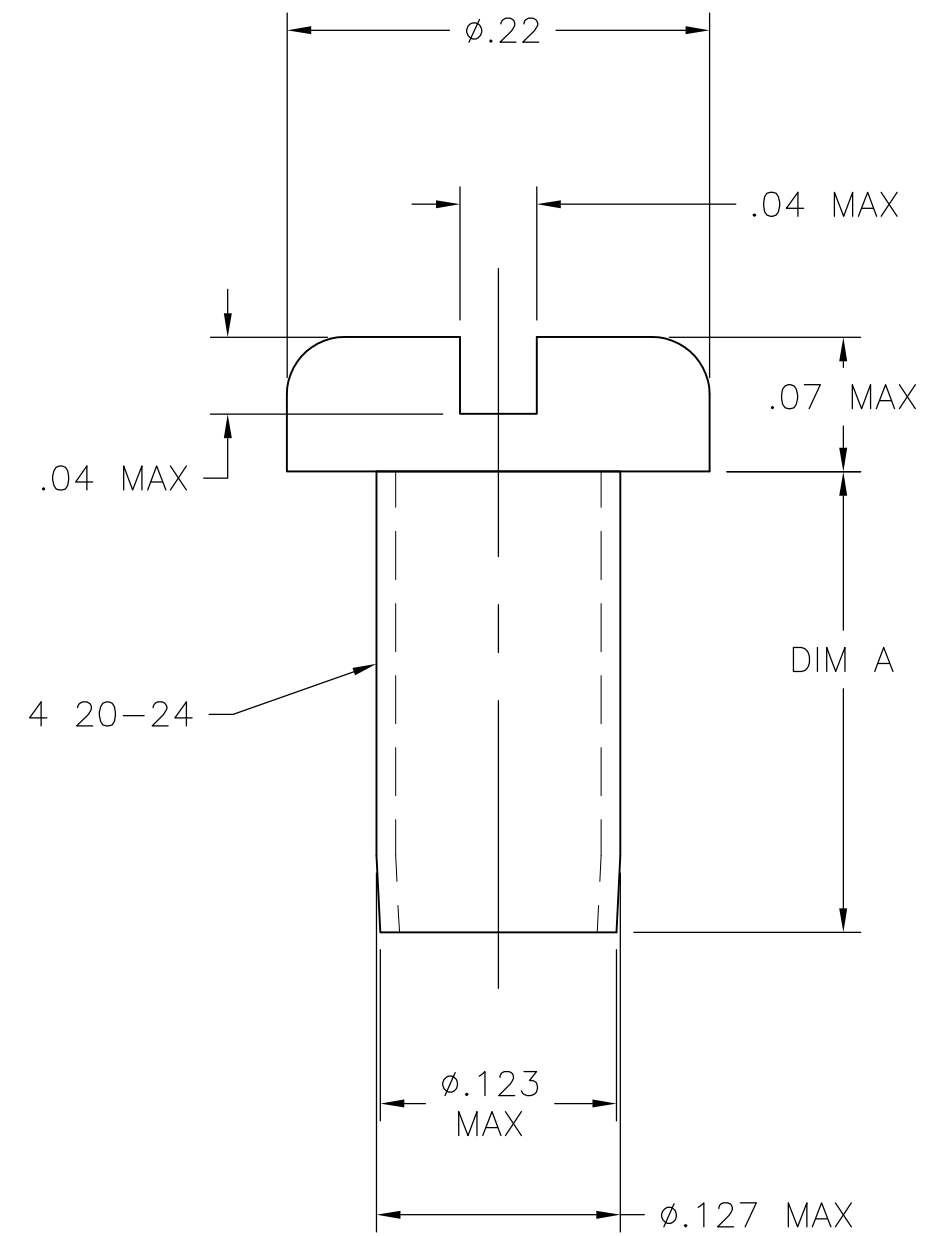



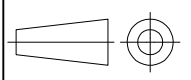
THIS DRAWING IS UNPUBLISHED. RELEASED FOR PUBLICATION
 © COPYRIGHT - By - ALL RIGHTS RESERVED.

| LOC | DIST | REVISIONS | | | | | |
|-----|------|-----------|-----|-------------------|---------|-----|------|
| GP | 00 | P | LTR | DESCRIPTION | DATE | DWN | APVD |
| | | A | | PER ECO-12-012349 | 28MAR13 | BL | AC |



1. PITCH: 1-2 THREADS MAXIMUM.
2. ALL DIMENSIONS SHOWN ARE FOR REFERENCE ONLY.

| | | |
|----------|-------|-------------|
| OBSOLETE | .300 | 5552820-2 |
| | .240 | 5552820-1 |
| | DIM A | PART NUMBER |

| | | | | | | | | | | |
|---|--|--------------------------------|---|-------------|--------------|--------------------|-------------------------|-----------------|--|----------|
| THIS DRAWING IS A CONTROLLED DOCUMENT. | | DWN B. MCMASTER 17AUG05 |  TE Connectivity SCREW, THREAD ROLLING, PAN HEAD | | | | | | | |
| DIMENSIONS: INCHES | | CHK W. MILLHIMES 17AUG05 | | | | NAME | | | | |
|  | | APVD M. WALMSLEY 17AUG05 | | | | PRODUCT SPEC | | | | |
| TOLERANCES UNLESS OTHERWISE SPECIFIED: | | APPLICATION SPEC | | | | RESTRICTED TO | | | | |
| MATERIAL CARBON STEEL | | FINISH ZINC PLATED | | WEIGHT - | SIZE A3 | CAGE CODE 00779 | DRAWING NO C-5552820 | SHEET 1 OF 1 | | REV A |
| CUSTOMER DRAWING | | | | | SCALE 4:1 | | | | | |

Mouser Electronics

Authorized Distributor

Click to View Pricing, Inventory, Delivery & Lifecycle Information:

[TE Connectivity:](#)

[5552820-1](#)