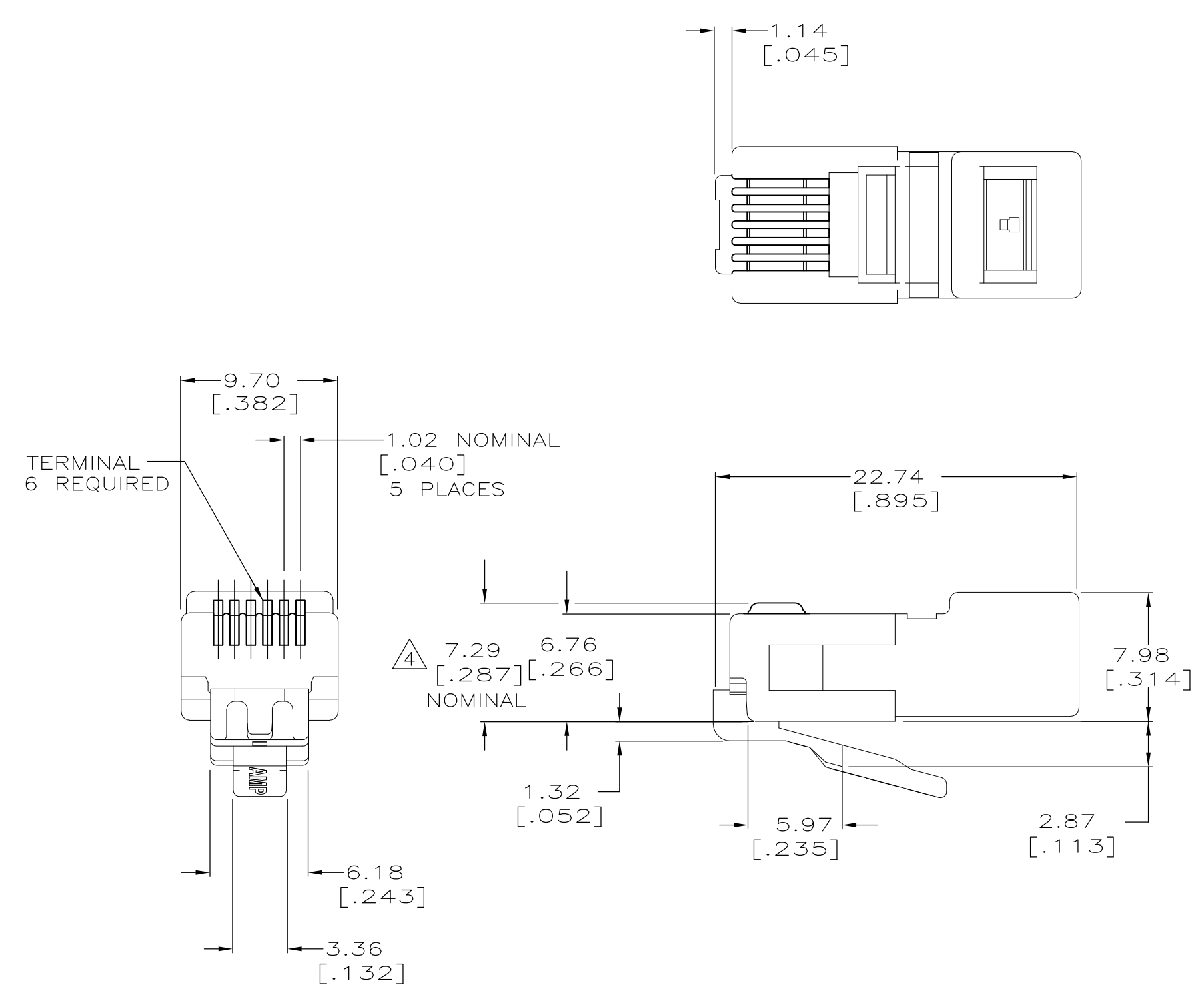


LOC	DIST	REVISIONS					
HM	00	P	LTR	DESCRIPTION	DATE	DWN	APVD
		L		REV: ECO-14-004548	27MAR2014	GG	JG



1 MATERIAL: HOUSING—POLYCARBONATE, CLEAR
 TERMINAL — .36 [.014] THICK PHOSPHOR BRONZE PLATED
 WITH .178 μ m [.000007] THICK GOLD IN LOCALIZED
 PLATE AREA, OVER .762 μ m [.000030] THICK PALLADIUM
 NICKEL IN LOCALIZED PLATE AREA OVER
 2.54 μ m [.000100] THICK NICKEL ON ENTIRE CONTACT.

2. ALL DIMENSIONS SHOWN ARE MAXIMUM UNLESS
 OTHERWISE SPECIFIED.

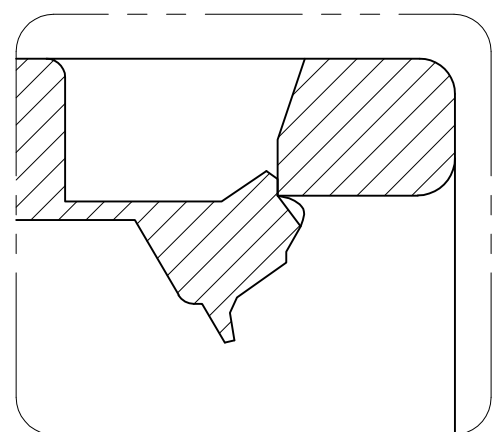
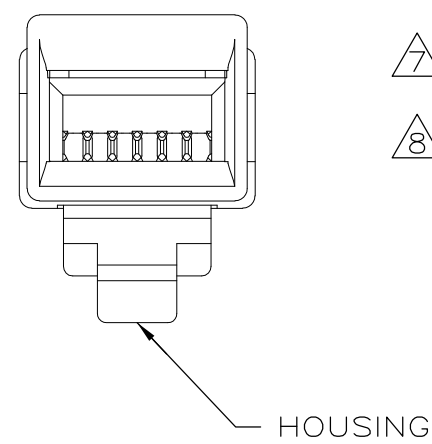
3. PLUG WILL ACCEPT 0.737 [.029] — 0.99 [.039] DIAMETER
 STRANDED WIRE, 26 OR 28 AWG WITH A 2.29 [.090] X
 6.60 [.260] JACKET.

4 TERMINATED DIMENSION 6.15 [.242]
 MAXIMUM.

5 LATCH SHALL BE IN POSITION SHOWN IN DETAIL A
 AFTER CRIMPING.

7 500 ASSEMBLIES PER PACKAGE.

8 100 ASSEMBLIES PER PACKAGE.



DETAIL A
 SCALE 10:1

8	5-555176-3
7	5-555176-2
PACKAGED	PART NO

THIS DRAWING IS A CONTROLLED DOCUMENT.		DWN L. HALL 12DEC2007	Tyco Electronics Corporation Harrisburg, PA 17105-3608	
DIMENSIONS: mm [INCHES]	TOLERANCES UNLESS OTHERWISE SPECIFIED:	CHK B. MCNEILL 13DEC2007	NAME	
	0 PLC ± -	APVD B. MCNEILL 13DEC2007	PRODUCT SPEC	
	1 PLC ± -		APPLICATION SPEC	
	2 PLC ± -		WEIGHT	
	3 PLC ± -		SIZE CAGE CODE DRAWING NO	
	4 PLC ± -		RESTRICTED TO	
	ANGLES ± -		A2 00779 555176	
MATERIAL	FINISH		SCALE 4:1 SHEET 1 OF 1 REV L	
			CUSTOMER DRAWING	

Mouser Electronics

Authorized Distributor

Click to View Pricing, Inventory, Delivery & Lifecycle Information:

[TE Connectivity Divested:](#)

[5-555176-3](#)