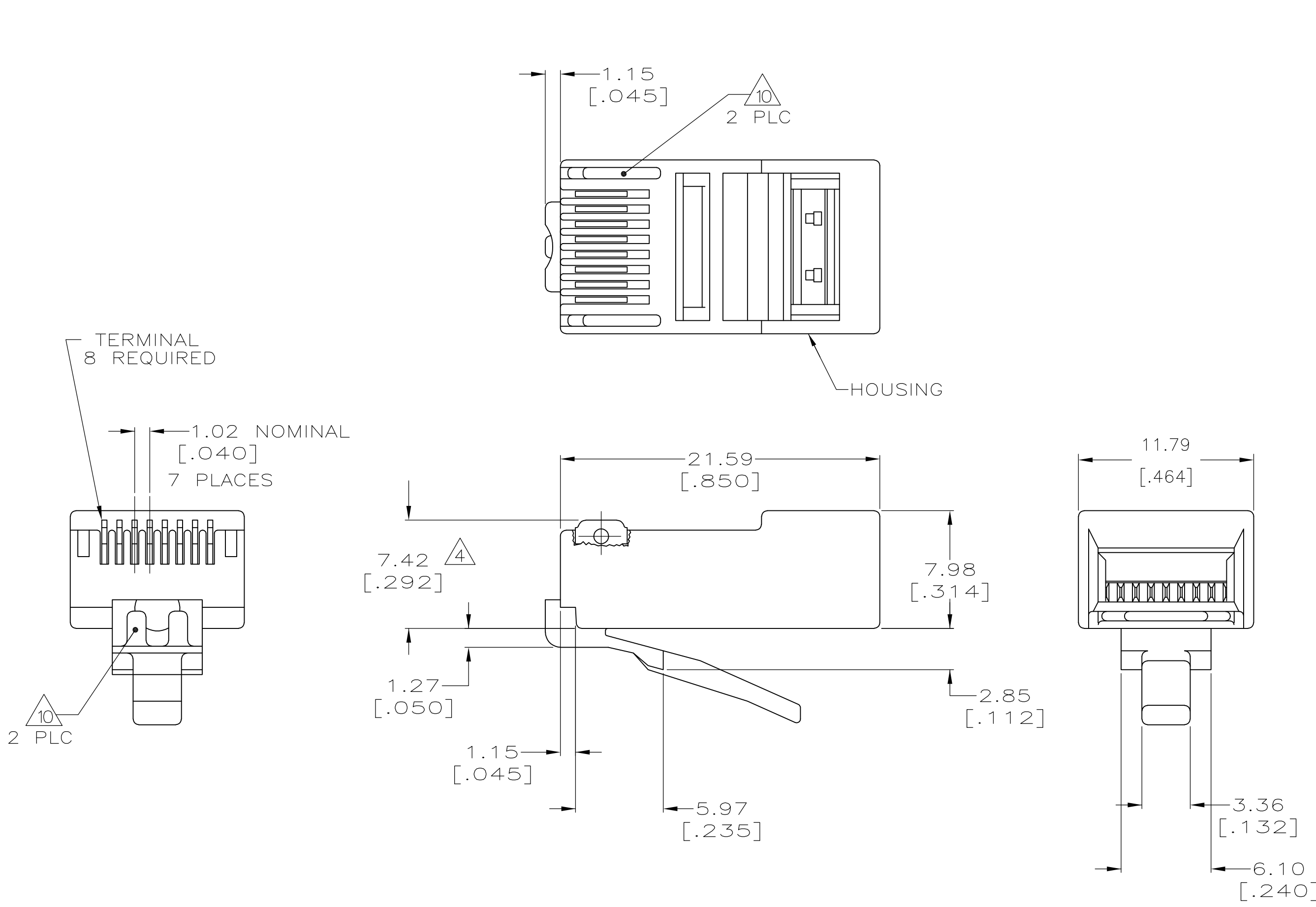


THIS DRAWING IS UNPUBLISHED. RELEASED FOR PUBLICATION
 © COPYRIGHT - By - ALL RIGHTS RESERVED.

LOC		DIST		REVISIONS			
P	LTR	DESCRIPTION		DATE	DWN	APVD	
HM	00	U		REVISED PER ECO-15-007385	20MAY2015	GG	LS

- 1 DIMENSIONS ARE MAXIMUM UNLESS OTHERWISE SPECIFIED.
- 2 MATERIAL: HOUSING- POLYCARBONATE, BLUE
 TERMINAL- .36 [.014] THICK PHOSPHOR BRONZE PLATED WITH .178µm [.000007] THICK GOLD IN LOCALIZED PLATE AREA OVER .762µm [.000030] THICK PALLADIUM NICKEL IN LOCALIZED PLATE AREA OVER 2.54µm [.000100] THICK NICKEL ON ENTIRE CONTACT.
 SHIELD- COPPER ALLOY WITH 1.27µm [.000050] MINIMUM SEMI-BRIGHT (SATIN) NICKEL.
- 3. PLUG WILL ACCEPT 24 OR 26 AWG SOLID WIRE HAVING A MAXIMUM INSULATION DIAMETER OF 0.89-0.99[.035-.039] AND A MAXIMUM OVAL CABLE JACKET OF 2.54 X 8.89[.100 X .350].
- 4 TERMINATED DIMENSION 6.15[.242] MAXIMUM.
- 6 10,000 ASSEMBLIES PER PACKAGE.
- 7 500 ASSEMBLIES PER PACKAGE.
- 8 100 ASSEMBLIES PER PACKAGE.
- 10 REELED PRODUCT ON STRIP DOES NOT HAVE VOID CORING ILLUSTRATED ON THIS DRAWING.
- 11 100 ASSEMBLIES PER CARTON.



SUPERSEDED BY: 5-554720-2

OBSOLETE

8	5-554720-3
7	5-554720-2
6	5-554720-1
11	3-554720-3
10	554720-1
REELED	PART NO.
PACKAGED	

THIS DRAWING IS A CONTROLLED DOCUMENT.		DWN	03NOV2005	TE Connectivity	
DIMENSIONS: mm [INCHES]		L. HALL			
TOLERANCES UNLESS OTHERWISE SPECIFIED:		CHK	03NOV2005		
0 PLC ± -		C. CASH		NAME	
1 PLC ± -		APVD	03NOV2005	MODULAR PLUG ASSEMBLY, 8 POSITION, SOLID WIRE	
2 PLC ± -		PRODUCT SPEC		-	
3 PLC ± -		APPLICATION SPEC		SIZE	CAGE CODE
4 PLC ± -		FINISH		A2	00779
ANGLES ± -		WEIGHT		DRAWING NO	RESTRICTED TO
FINISH		CUSTOMER DRAWING		C=554720	-
SCALE		SCALE		SHEET	REV
4:1		4:1		1 of 1	U

Mouser Electronics

Authorized Distributor

Click to View Pricing, Inventory, Delivery & Lifecycle Information:

[TE Connectivity Divested:](#)

[5-554720-3](#)