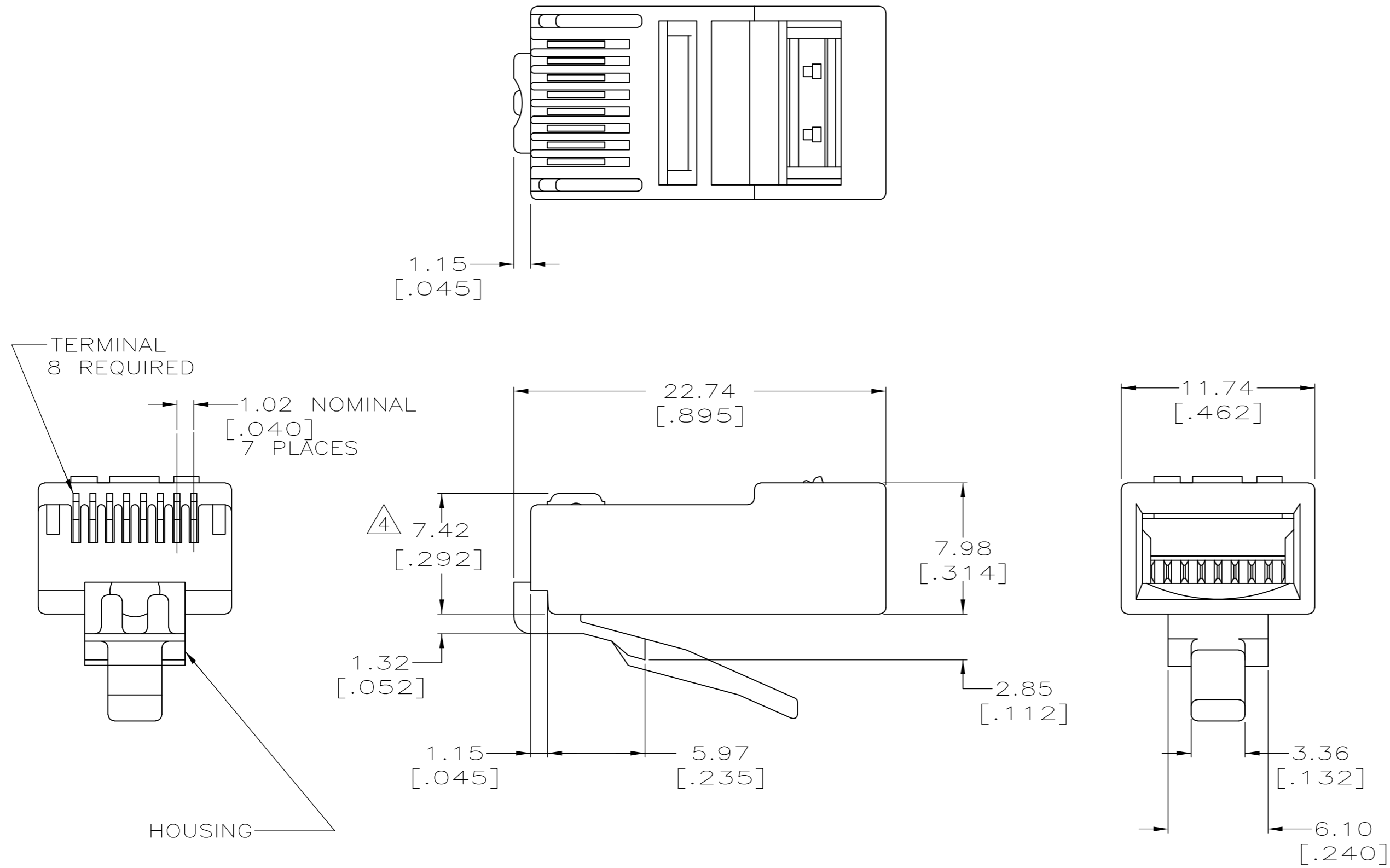


THIS DRAWING IS UNPUBLISHED. RELEASED FOR PUBLICATION  
 © COPYRIGHT - By - ALL RIGHTS RESERVED.

LOC		DIST		REVISIONS			
P	LTR	DESCRIPTION		DATE	DWN	APVD	
HM	00	AB	REV; ECO-15-007385	19MAY2015	GG	LS	



- ① MATERIAL: HOUSING-POLYCARBONATE, CLEAR. TERMINAL-0.36 [.014] THICK PHOSPHOR BRONZE PLATED WITH 0.178um [.000007] GOLD IN LOCALIZED AREA OVER 0.762um [.000030] PALLADIUM NICKEL IN LOCALIZED AREA, OVER 2.54um [.000100] NICKEL UNDERPLATE COVERING THE ENTIRE TERMINAL.
- ② DIMENSIONS ARE MAXIMUM UNLESS OTHERWISE SPECIFIED.
- 3. PLUG WILL ACCEPT 0.74-0.99 [.029-.039] DIAMETER STRANDED WIRE, 26 OR 28 AWG, WITH A 5.34 [.210] DIAMETER MAXIMUM JACKET.
- ④ TERMINATED DIMENSION 6.15 [.242] MAXIMUM.
- ⑥ 10,000 ASSEMBLIES PER PACKAGE.
- ⑦ 500 ASSEMBLIES PER PACKAGE.
- ⑧ 100 ASSEMBLIES PER PACKAGE.
- ⑩ SEE RESTRICTED CUSTOMER DRAWING 5-554169-5.
- ⑪ 100 ASSEMBLIES PER PACKAGE.

SUPERSEDED BY 5-554169-3	⑪	6-554169-5
SUPERSEDED BY 5-554169-3	⑤	6-554169-3
	-	⑩
	⑧	5-554169-3
	⑦	5-554169-2
SUPERSEDED BY 5-554169-2	⑥	5-554169-1
	PACKAGED	PART NO

THIS DRAWING IS A CONTROLLED DOCUMENT.		DWN	8-30-93	<b>TE</b> TE Connectivity	
DIMENSIONS: mm [INCHES]		YTP/JTA	9-15-93		
TOLERANCES UNLESS OTHERWISE SPECIFIED:		CHK	9-20-93	MODULAR PLUG ASSEMBLY, 8 POSITION, ROUND CABLE	
0 PLC ± -		C.WHITT			
1 PLC ± -		APVD		SIZE CAGE CODE DRAWING NO RESTRICTED TO	
2 PLC ± -		J.TONEY			
3 PLC ± -		PRODUCT SPEC	108-1163	A2 00779 C=554169	
4 PLC ± -		APPLICATION SPEC	114-6016		
ANGLES ± -		WEIGHT	-	SCALE 4:1 SHEET 1 OF 1 REV AB	
FINISH ± -		CUSTOMER DRAWING			

# Mouser Electronics

Authorized Distributor

Click to View Pricing, Inventory, Delivery & Lifecycle Information:

[TE Connectivity:](#)

[5-554169-3](#)