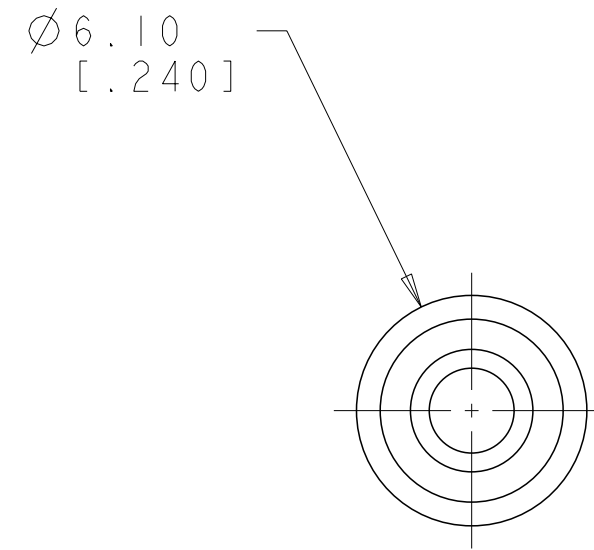
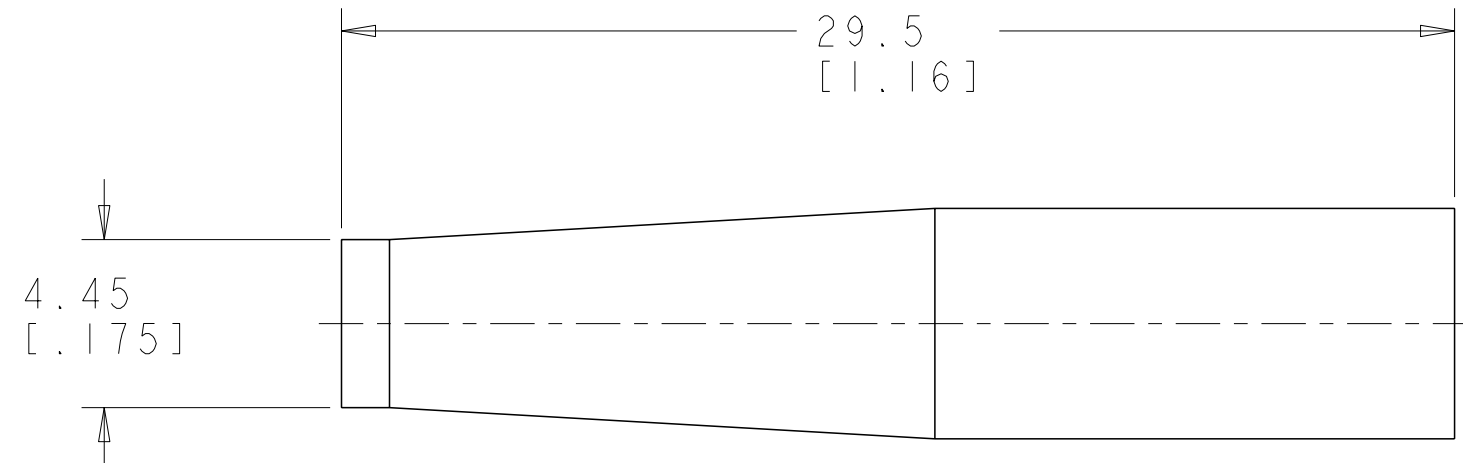
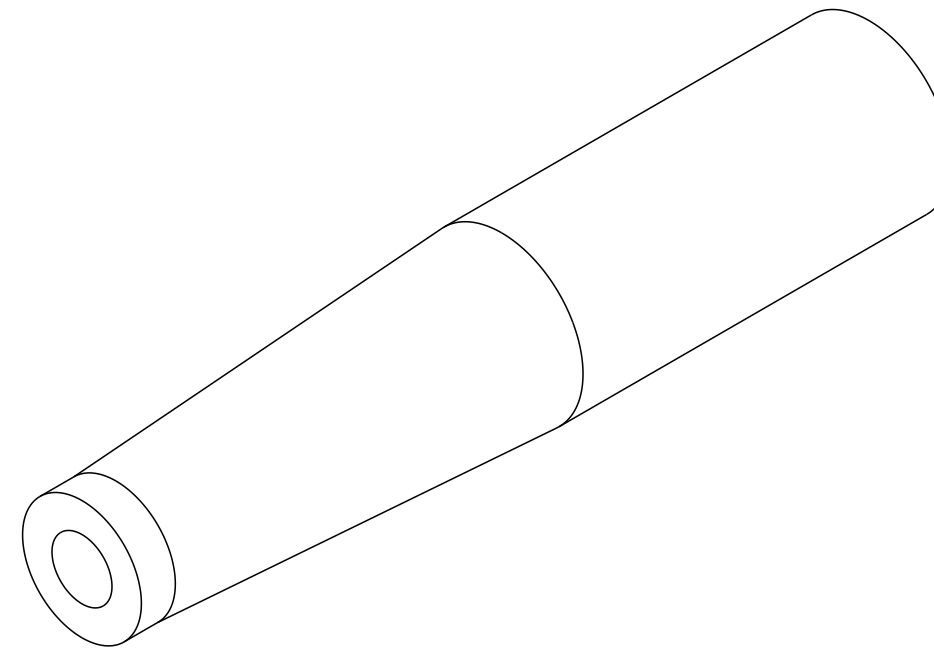


THIS DRAWING IS UNPUBLISHED. RELEASED FOR PUBLICATION 20

© 2016 COMMSCOPE, INC. CONFIDENTIAL NOTICE: THESE DRAWINGS AND SPECIFICATIONS ARE THE PROPRIETARY PROPERTY OF COMMSCOPE, INC. AND MAY BE USED ONLY FOR THE SPECIFIC PURPOSE AUTHORIZED IN WRITING BY COMMSCOPE, INC.

REVISIONS				
P	LTR	DESCRIPTION	DATE	APVD
	E	REV; 40032883MCO	15AUG2016	GG TE

⚠ MATERIAL: TPE, SEE TABLE FOR COLOR, UL 94 V-0 RATED AT QUALIFYING THICKNESS.



2.4/2.5	GREEN	3-5503971-7
2.4/2.5	GREEN	3-5503971-6
3.0	AQUA	3-5503971-5
3.0	AQUA	3-5503971-4
2.4/2.5	AQUA	3-5503971-3
2.4/2.5	AQUA	3-5503971-2
2.0	AQUA	3-5503971-1
2.0	AQUA	3-5503971-0
2.0	BEIGE	2-5503971-9
2.0	GREEN	2-5503971-8
2.0	RED	2-5503971-7
2.0	BLACK	2-5503971-5
2.0	BLACK	2-5503971-3
3.0	YELLOW	2-5503971-2
3.0	WHITE	1-5503971-9
3.0	GREEN	1-5503971-8
3.0	RED	1-5503971-7
3.0	BLACK	1-5503971-6
3.0	BLUE	1-5503971-5
3.0	BEIGE	1-5503971-4
2.4/2.5	RED	1-5503971-3
2.4/2.5	BLACK	1-5503971-2
3.0	RED	1-5503971-1
3.0	BLACK	1-5503971-0
2.0	YELLOW	5503971-9
2.4/2.5	YELLOW	5503971-8
3.0	YELLOW	5503971-7
2.0	BLUE	5503971-6
2.0	BEIGE	5503971-5
2.4/2.5	BLUE	5503971-4
2.4/2.5	BEIGE	5503971-3
3.0	BLUE	5503971-2
3.0	BEIGE	5503971-1
CABLE DIA	COLOR	PART NUMBER

THIS DRAWING IS A CONTROLLED DOCUMENT.

DWN: E. HOPKINS 28 JAN 2005
 CHK: D. ERDMAN 28 JAN 2005
 APVD: S. BUCHTER 28 JAN 2005

COMMSCOPE, INC.

NAME: BOOT, SHORT, AMP SC/FC TYPE

SIZE: A2 CAGE CODE: 00779 DRAWING NO: C-5503971

MATERIAL: ⚠ FINISH: - WEIGHT: - CUSTOMER DRAWING

SCALE: 5:1 SHEET: 1 OF 1 REV: E

Mouser Electronics

Authorized Distributor

Click to View Pricing, Inventory, Delivery & Lifecycle Information:

[TE Connectivity Divested:](#)

[1-5503971-3](#)