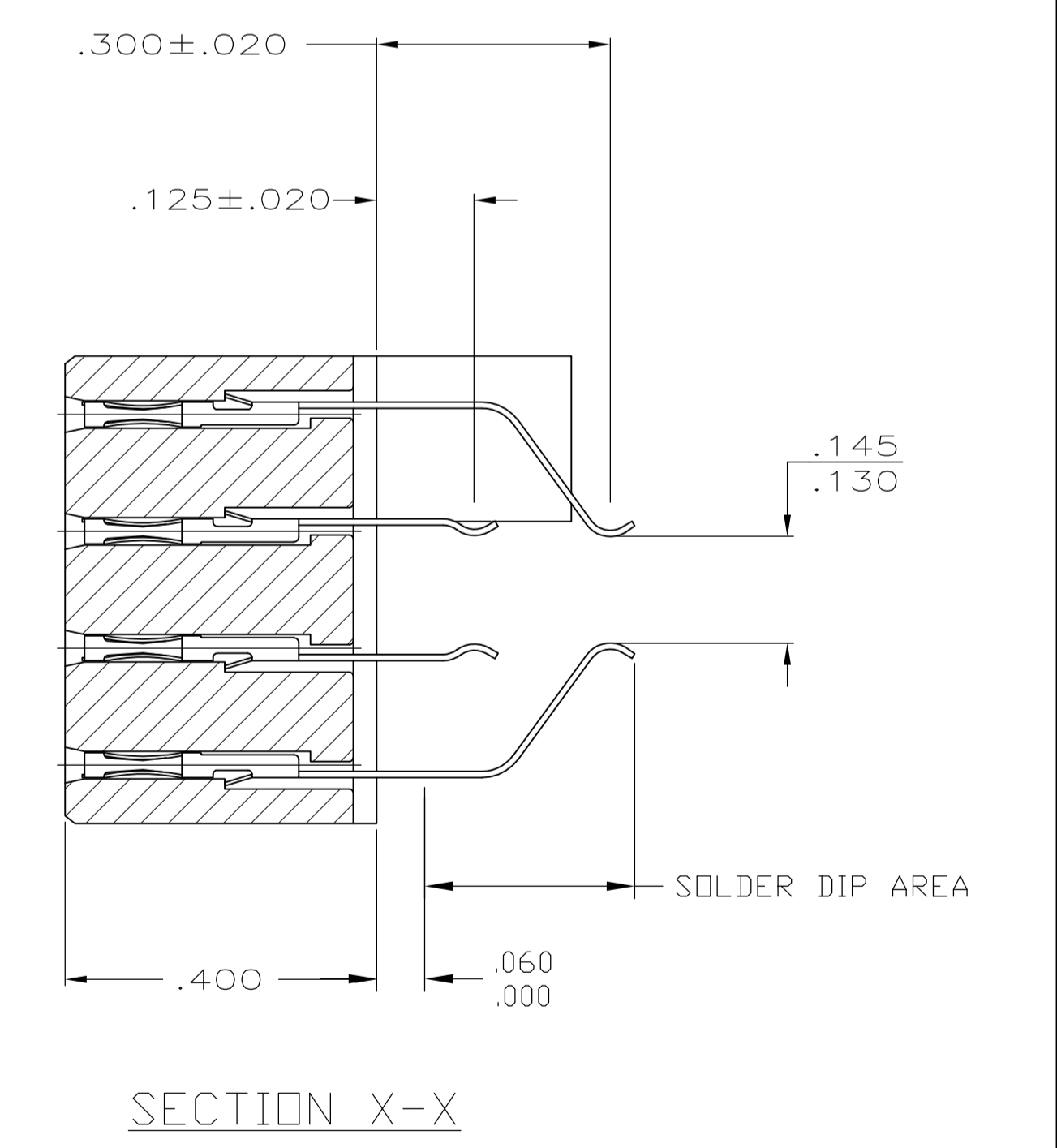
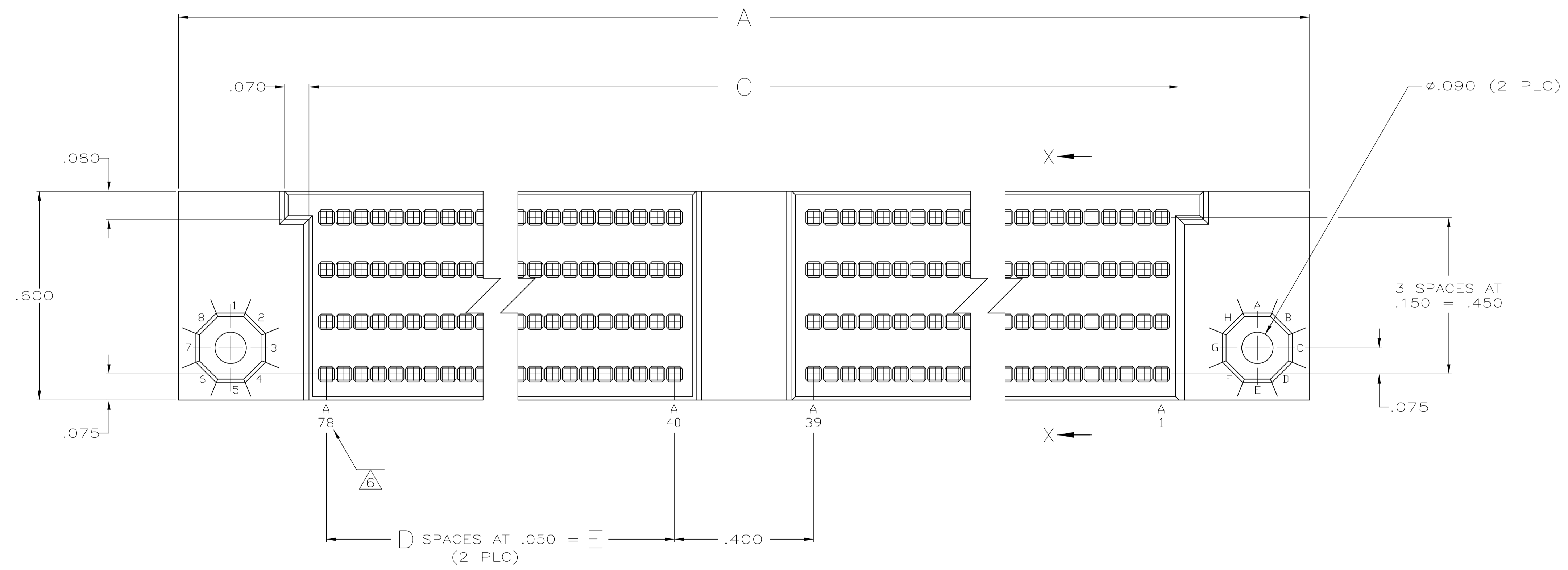
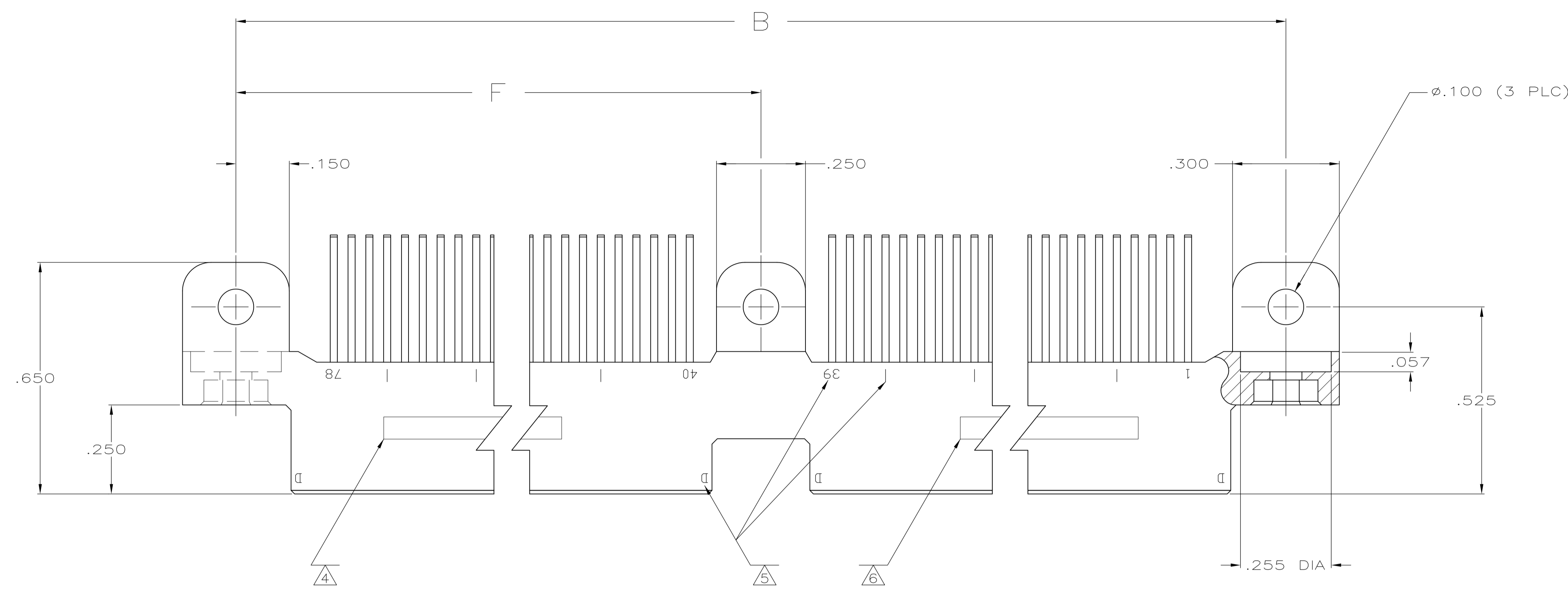
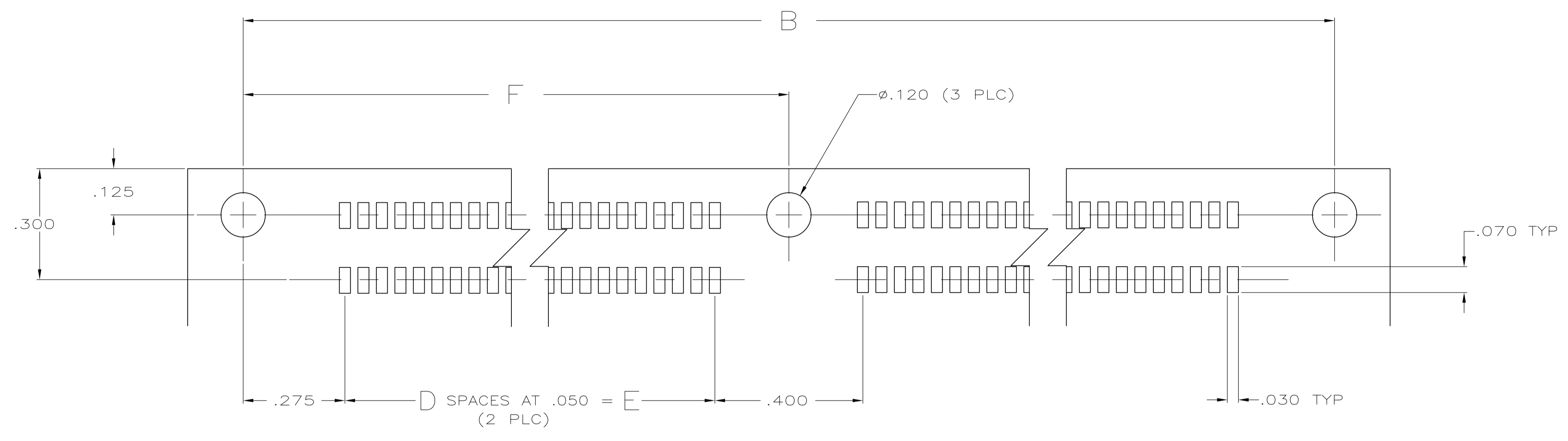


REV ISIONS		DATE	DN	APVO
LOC	DIST	DESCRIPTION		
H	REV PER ECO-11-016164		10-11-11	CT DM



THIS DRAWING IS A CONTROLLED DOCUMENT.		DN R SEIFRIED 15-OCT-86	TE Connectivity																							
		CHK G SKIPPER 15-DEC-93																								
DIMENSIONS: INCHES	TOLERANCES UNLESS OTHERWISE SPECIFIED:	APVO G SKIPPER 15-DEC-93	NAME AMP HDI SERIES 050, RECEPTACLE SURFACE MT ASSY																							
<table border="1"> <tr><td>0 PLC</td><td>± -</td></tr> <tr><td>1 PLC</td><td>± -</td></tr> <tr><td>2 PLC</td><td>± -</td></tr> <tr><td>3 PLC</td><td>± .005</td></tr> <tr><td>4 PLC</td><td>± -</td></tr> <tr><td>ANGLES</td><td>± -</td></tr> </table>	0 PLC	± -	1 PLC	± -	2 PLC	± -	3 PLC	± .005	4 PLC	± -	ANGLES	± -	<table border="1"> <tr><td>SIZE</td><td>CAGE CODE</td><td>DRAWING NO</td><td>RESTRICTED TO</td></tr> <tr><td>—</td><td>—</td><td>A1 00779</td><td>—</td></tr> </table>	SIZE	CAGE CODE	DRAWING NO	RESTRICTED TO	—	—	A1 00779	—	<table border="1"> <tr><td>APPLICATION SPEC</td><td>—</td></tr> <tr><td>PRODUCT SPEC</td><td>—</td></tr> </table>	APPLICATION SPEC	—	PRODUCT SPEC	—
0 PLC	± -																									
1 PLC	± -																									
2 PLC	± -																									
3 PLC	± .005																									
4 PLC	± -																									
ANGLES	± -																									
SIZE	CAGE CODE	DRAWING NO	RESTRICTED TO																							
—	—	A1 00779	—																							
APPLICATION SPEC	—																									
PRODUCT SPEC	—																									
MATERIAL	FINISH SEE TABLE	WEIGHT —	SCALE 5:1 SHEET 1 OF 2 REV H																							
		CUSTOMER DRAWING																								



RECOMMENDED P.C. BOARD LAYOUT
 DIMENSIONS & TOLERANCES IN ACCORDANCE WITH ANSI/IPC-D-300G, TYPE 1, CLASS C

- 1 HOUSING MATERIAL: POLYPHENYLENE SULFIDE, COLOR-NATURAL (BROWN).
- 2 CONTACT MATERIAL: BERYLLIUM COPPER.
- 3 CONTACT FINISH: .000050 GOLD IN CONTACT AREA, OVER .000050-.000100 NICKEL UNDERPLATE. TIN-LEAD PLATED TAILS.
- 4 MARK 73030SOCN- $\left\{ \begin{array}{l} 794897-5 \text{ FOR } 534470-4 \\ 794897-4 \text{ FOR } 534470-7 \end{array} \right\}$ IN APPROXIMATE AREA SHOWN (ON "A" SIDE OF ASSY).
- 5 MARK ROW A & D AS SHOWN, NUMBER CIRCUITS AT BEGINNING AND END OF CONTACT FIELD, AND MARK EVERY 5TH CIRCUIT WITH A HASH MARK, UNLESS NUMBERED, IN APPROXIMATE AREA SHOWN.
- 6 MARK AMP, PART NUMBER, AND DATE CODE IN APPROXIMATE AREA SHOWN (ON "A" SIDE OF ASSY).
- 7 CONTACT FINISH: .000050 GOLD IN CONTACT AREA, OVER .000050-.000100 NICKEL UNDERPLATE. TIN PLATED TAILS.

OBSOLETE	2.375	1.900	38	4.300	4.750	5.050	312	7	5-534470-4
	2.725	2.250	45	5.000	5.450	5.750	368	3	534470-7
	2.375	1.900	38	4.300	4.750	5.050	312	3	534470-4
	F	E	D	C	B	A	POS	FINISH	PART NUMBER

THIS DRAWING IS A CONTROLLED DOCUMENT.

DIMENSIONS: INCHES	TOLERANCES UNLESS OTHERWISE SPECIFIED:	DIN R SEIFRIED 15-OCT-86	APVD G SKIPPER 15-DEC-93	NAME: AMP HDI SERIES 050, RECEPTACLE SURFACE MT ASSY
	0 PLC ± - 1 PLC ± - 2 PLC ± - 3 PLC ± .005 4 PLC ± - ANGLES ± -	CHK G SKIPPER 15-DEC-93	APVD G SKIPPER 15-DEC-93	4 ROW, .050 X .150, ONE CENTER MT, 50u GOLD
MATERIAL	FINISH SEE TABLE	WEIGHT	SIZE CAGE CODE DRAWING NO	.175 THK BOARD, .125 & 300 LONG SOLDER TAILS
			A1 00779 C=534470	RESTRICTED TO
		CUSTOMER DRAWING	SCALE 5:1 SHEET 2 OF 2 REV H	

Mouser Electronics

Authorized Distributor

Click to View Pricing, Inventory, Delivery & Lifecycle Information:

[TE Connectivity:](#)

[5-534470-4](#)