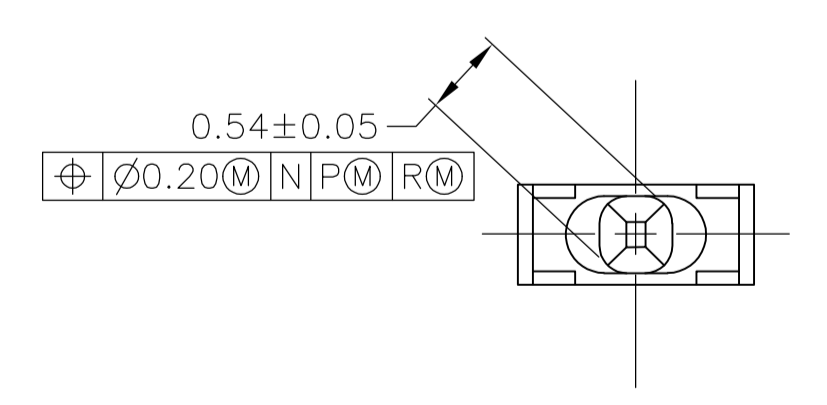
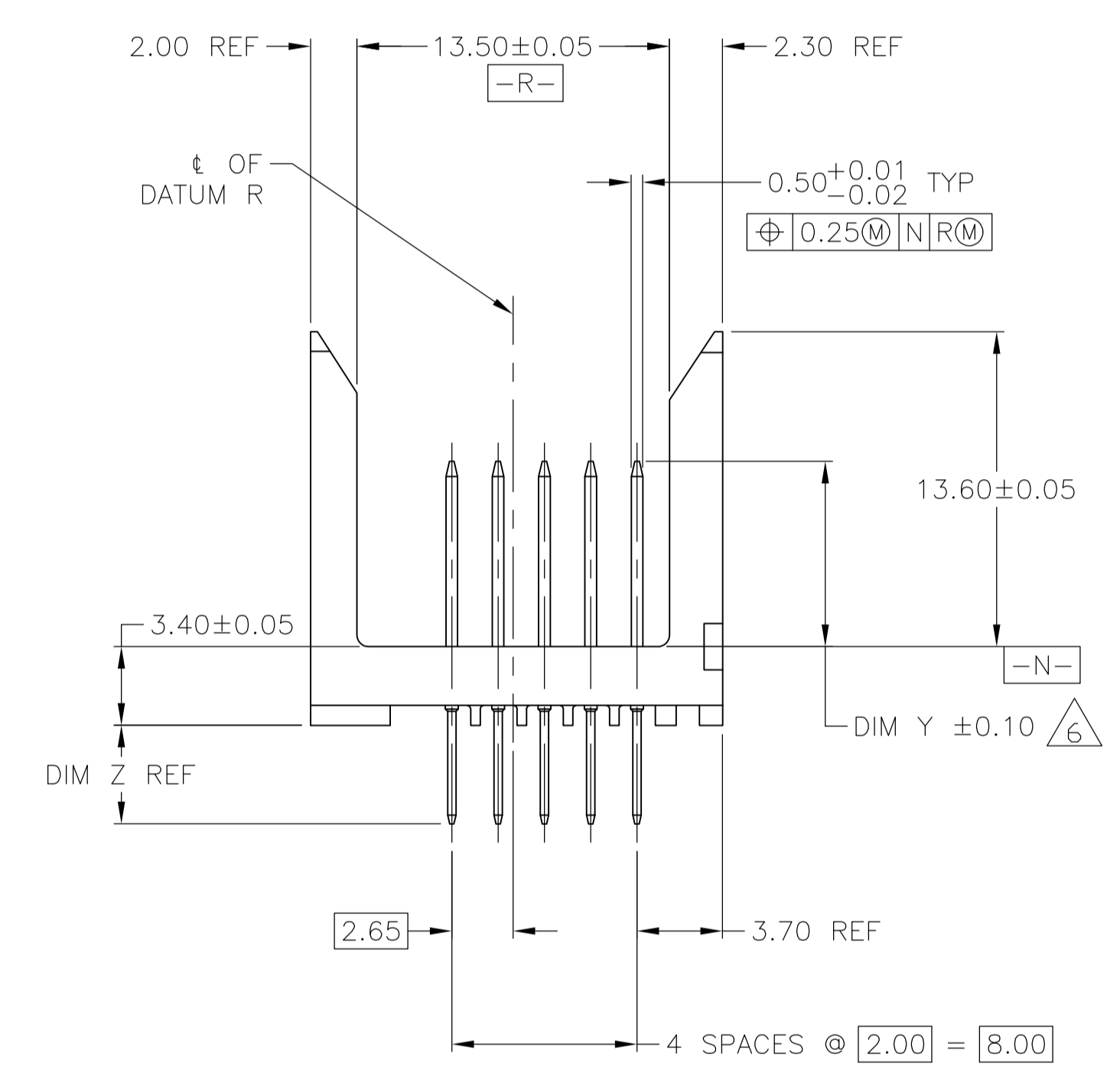


RECOMMENDED CIRCUIT PATTERN
(COMPONENT SIDE)



VIEW Z-Z
SCALE 20:1

- 1 HOUSING MATERIAL: LIQUID CRYSTAL POLYMER, NATURAL.
- 2 CONTACT MATERIAL: PHOSPHOR BRONZE.
- 3 CONTACT FINISH:
 UNDERPLATE (ENTIRE CONTACT):
 0.00127 MIN NICKEL PER SAE-AMS-QQ-N-290
 ON MATING SURFACES:
 CONFORMS TO ALL TESTING SPECIFIED FOR TELCORDIA UNCONTROLLED ENVIRONMENT.
 ON LEADS:
 0.0006 MIN MATTE TIN PER ASTM B 545 OVER UNDERPLATE.
 LUBRICATION (MIN MATING SURFACES):
 SURFACE CONDITIONER AFTER PLATING.
- 4 PART MARKING PER AMP SPEC 115-9009, LOCATED APPROXIMATELY AS SHOWN.
- 5. SEE SHEET 2 FOR SEQUENCING CHARTS.
- 6 DIMENSION APPLIES WHEN SEATED ON PRINTED CIRCUIT BOARD.
- 7 CONTACT FINISH:
 UNDERPLATE (ENTIRE CONTACT):
 0.00127 MIN NICKEL PER SAE-AMS-QQ-N-290
 ON MATING SURFACES:
 0.00076 MIN NICKEL OR COBALT HARDENED GOLD PER ASTM B-488 OVER UNDERPLATE.
 ON LEADS:
 0.0006 MIN MATTE TIN PER ASTM B 545 OVER UNDERPLATE.
 LUBRICATION (MIN MATING SURFACES):
 SURFACE CONDITIONER AFTER PLATING.
- 8 CONTACT FINISH:
 UNDERPLATE (ENTIRE CONTACT):
 0.00127 MIN NICKEL PER SAE-AMS-QQ-N-290
 ON MATING SURFACES:
 0.00030 MIN PALLADIUM NICKEL OVER UNDERPLATE.
 ON LEADS:
 0.0006 MIN MATTE TIN PER ASTM B 545 OVER UNDERPLATE.
 LUBRICATION (MIN MATING SURFACES):
 SURFACE CONDITIONER AFTER PLATING.
- 9 OBSOLETE PARTS: OBSOLETE CIS STREAMLINING PER D.RENAUD/D.SINISI

THIS DRAWING IS A CONTROLLED DOCUMENT.		DIN B MCMMASTER 130EC04	Tyco Electronics Corporation Harrisburg, PA 17105-3608
		CHK R WERTZ 130EC04	
DIMENSIONS: mm		APVD R WERTZ 130EC04	NAME PIN ASSEMBLY, Z-PACK 2mm FB, SIGNAL, VERTICAL, 5 ROW, 240 POSITION, SEQUENCED, WITH PRESS FIT LEADS
TOLERANCES UNLESS OTHERWISE SPECIFIED:		PRODUCT SPEC	
0 PLC ± -		108-1441	SIZE CAGE CODE DRAWING NO RESTRICTED TO
1 PLC ± -		114-1075	
2 PLC ± 0.13		A1 00779 C=5223087	CUSTOMER DRAWING SCALE 4:1 SHEET 1 OF 2 REV F
3 PLC ± -			
4 PLC ± -			
ANGLES ± -			
MATERIAL	FINISH	WEIGHT	
1 2	3 7 8		

E	SUPERSEDED BY 5223087-7																																																E	5223087-1
D																																																	D	3
C																																																	C	3
B																																																	B	3
A																																																	A	3
ROW	1-48	CONTACT LOAD CHART	ROW	1-48	PART NUMBER																																													

E	2-5223087-2																																																E	5223087-1
D																																																	D	3
C																																																	C	3
B																																																	B	3
A																																																	A	3
ROW	1-48	CONTACT LOAD CHART	ROW	1-48	PART NUMBER																																													

E	SUPERSEDED BY 5223087-8																																																E	5223087-2
D																																																	D	3
C																																																	C	3
B																																																	B	3
A																																																	A	3
ROW	1-48	CONTACT LOAD CHART	ROW	1-48	PART NUMBER																																													

E	2-5223087-3																																																E	5223087-2
D																																																	D	3
C																																																	C	3
B																																																	B	3
A																																																	A	3
ROW	1-48	CONTACT LOAD CHART	ROW	1-48	PART NUMBER																																													

E	5223087-7																																																E	5223087-3
D																																																	D	3
C																																																	C	3
B																																																	B	3
A																																																	A	3
ROW	1-48	CONTACT LOAD CHART	ROW	1-48	PART NUMBER																																													

E	2-5223087-5																																																E	5223087-3
D																																																	D	3
C																																																	C	3
B																																																	B	3
A																																																	A	3
ROW	1-48	CONTACT LOAD CHART	ROW	1-48	PART NUMBER																																													

E	5223087-8																																																E	5223087-4
D																																																	D	3
C																																																	C	3
B																																																	B	3
A																																																	A	3
ROW	1-48	CONTACT LOAD CHART	ROW	1-48	PART NUMBER																																													

E	2-5223087-6																																																E	5223087-4
D																																																	D	3
C																																																	C	3
B																																																	B	3
A																																																	A	3
ROW	1-48	CONTACT LOAD CHART	ROW	1-48	PART NUMBER																																													

E	1-5223087-2																																																E	5223087-5
D																																																	D	3
C																																																	C	3
B																																																	B	3
A																																																	A	3
ROW	1-48	CONTACT LOAD CHART	ROW	1-48	PART NUMBER																																													

E	3-5223087-4																																																E	5223087-5
D																																																	D	3
C																																																	C	3
B																																																	B	3
A																																																	A	3
ROW	1-48	CONTACT LOAD CHART	ROW	1-48	PART NUMBER																																													

E	1-5223087-3																																																E	5223087-6
D																																																	D	3
C																																																	C	3
B																																																	B	3
A																																																	A	3
ROW	1-48	CONTACT LOAD CHART	ROW	1-48	PART NUMBER																																													

E	4-5223087-4																																																E	5223087-6
D																																																	D	3
C																																																	C	3
B																																																	B	3
A																																																	A	3
ROW	1-48	CONTACT LOAD CHART	ROW	1-48	PART NUMBER																																													

E	1-5223087-4																																																E	5223087-7
D	OBSOLETE																																																D	3
C																																																	C	3
B																																																	B	3
A																																																	A	3
ROW	1-48	CONTACT LOAD CHART	ROW	1-48	PART NUMBER																																													

E	4-5223087-5																																																E	5223087-7
D																																																	D	3
C																																																	C	3
B																																																	B	3
A																																																	A	3
ROW	1-48	CONTACT LOAD CHART	ROW	1-48	PART NUMBER																																													

E	1-5223087-5																																																E	5223087-8
D	OBSOLETE																																																D	3
C																																																	C	3
B																																																	B	3
A																																																	A	3
ROW	1-48	CONTACT LOAD CHART	ROW	1-48	PART NUMBER																																													

E	4-5223087-6																																																E	5223087-8
D																																																	D	3
C																																																	C	3
B																																																	B	3
A																																																	A	3
ROW	1-48	CONTACT LOAD CHART	ROW	1-48	PART NUMBER																																													

E	1-5223087-6																																																E	5223087-9
D																																																	D	3
C																																																	C	3
B																																																	B	3
A																																																	A	3
ROW	1-48	CONTACT LOAD CHART	ROW	1-48	PART NUMBER																																													

E	4-5223087-7																																																E	5223087-9
D																																																	D	3
C																																																	C	3
B																																																	B	3
A																																																	A	3
ROW	1-48	CONTACT LOAD CHART	ROW	1-48	PART NUMBER																																													

DC	7.25	14.40
GG	5.00	13.60
UU	5.75	13.60
A	5.00	4.25
N	7.25	4.25
E	5.75	4.25
VV	8.00	14.90
X	6.50	13.60
T	8.00	4.25
J	6.50	4.25
CONTACT LETTER	DIM Y	DIM Z

THIS DRAWING IS A CONTROLLED DOCUMENT.

DIMENSIONS: mm	TOLERANCES UNLESS OTHERWISE SPECIFIED:	DIN B MCMMASTER 130EC04 CIK R WERTZ 130EC04 APVD R WERTZ 130EC04 NAME R WERTZ 130EC04	Tyco Electronics Corporation Harrisburg, PA 17105-3608
0 PLC ± - 1 PLC ± - 2 PLC ± 0.13 3 PLC ± - 4 PLC ± - ANGLES ± -	MATERIAL 1 2 3 7 8	FINISH 3 7 8	TYCO ELECTRONICS
PRODUCT SPEC 108-1441	APPLICATION SPEC 114-1075	SIZE A1	CAGE CODE DRAWING NO. 00779
RESTRICTED TO	WEIGHT -	SCALE 4:1	REV F
CUSTOMER DRAWING	SCALE 4:1	SHEET 2 OF 2	REV F

Mouser Electronics

Authorized Distributor

Click to View Pricing, Inventory, Delivery & Lifecycle Information:

[TE Connectivity:](#)

[2-5223087-6](#)