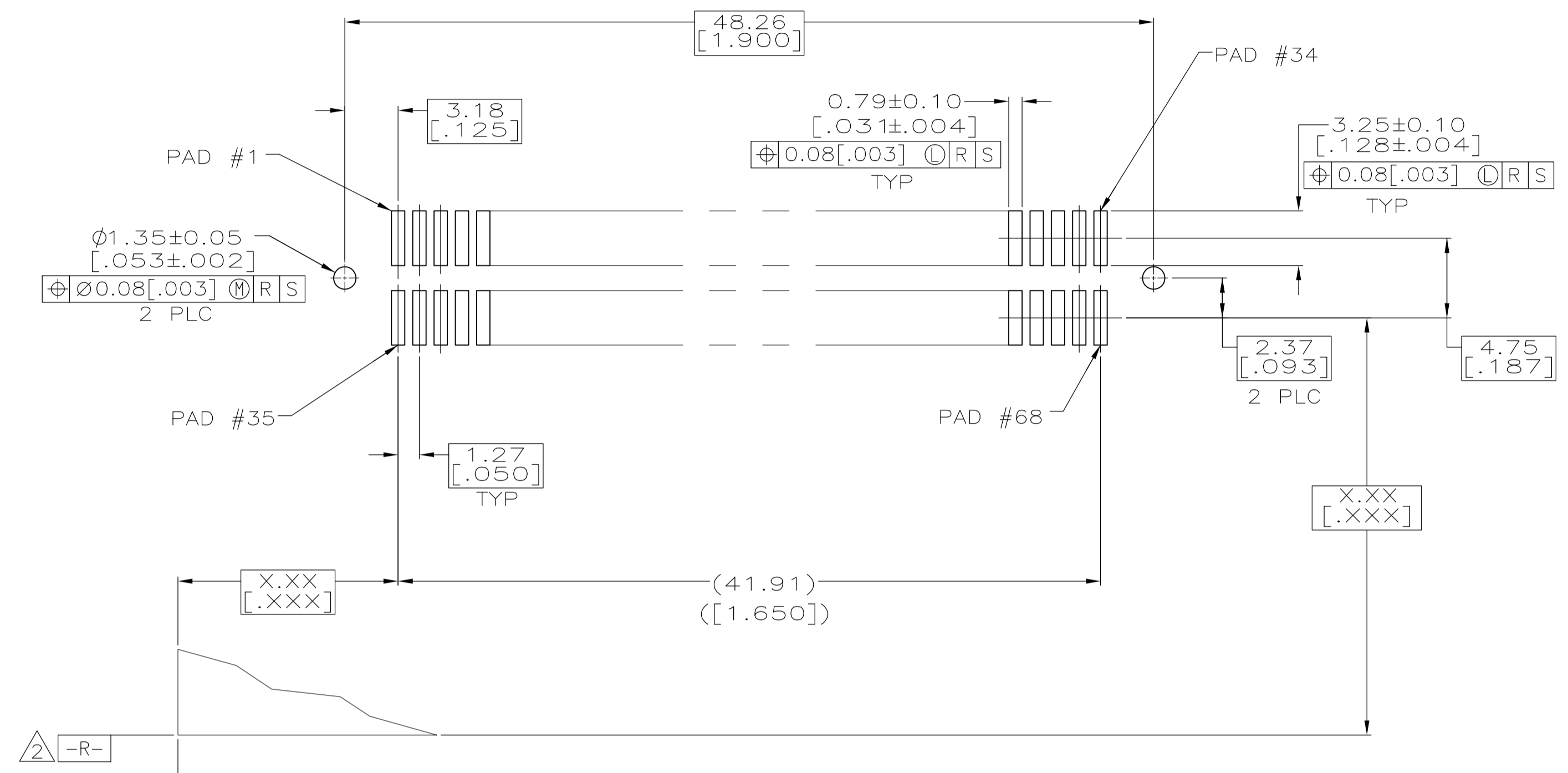
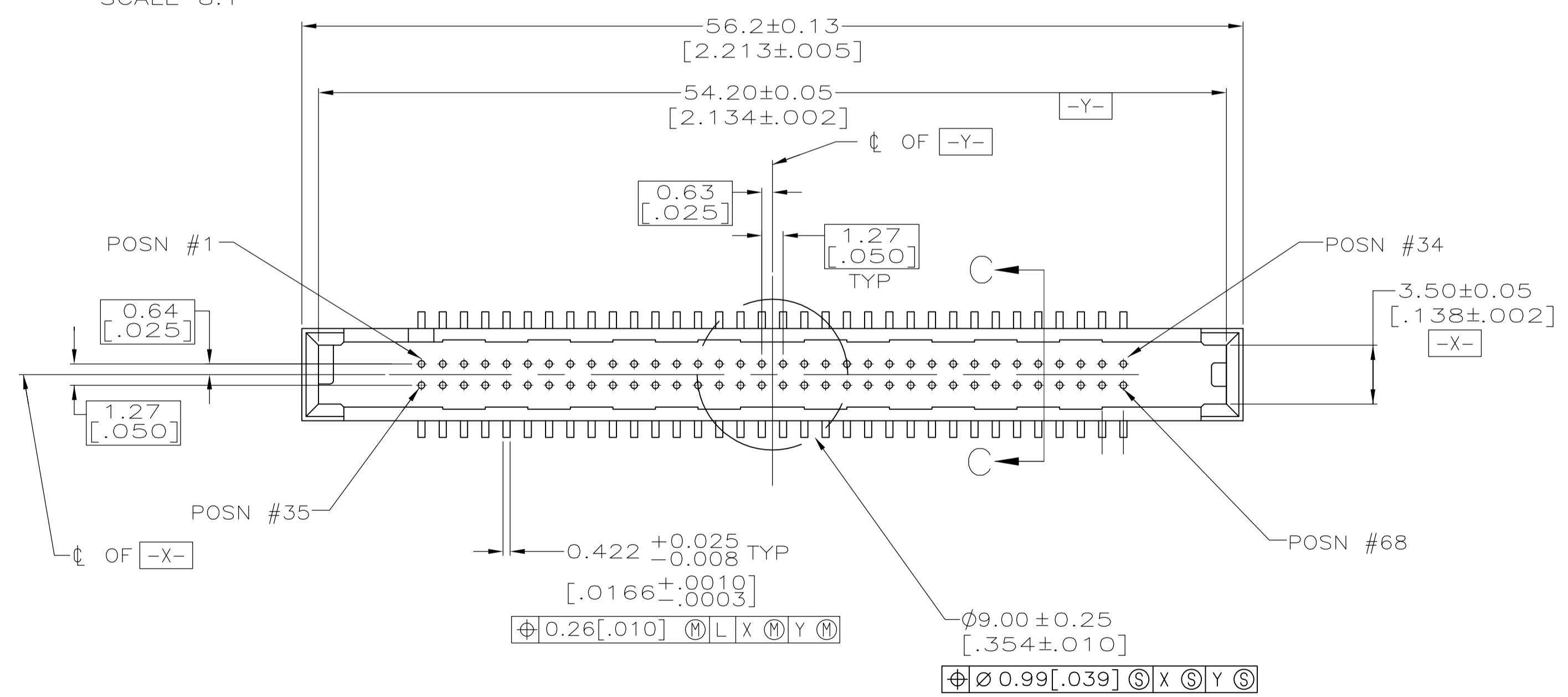
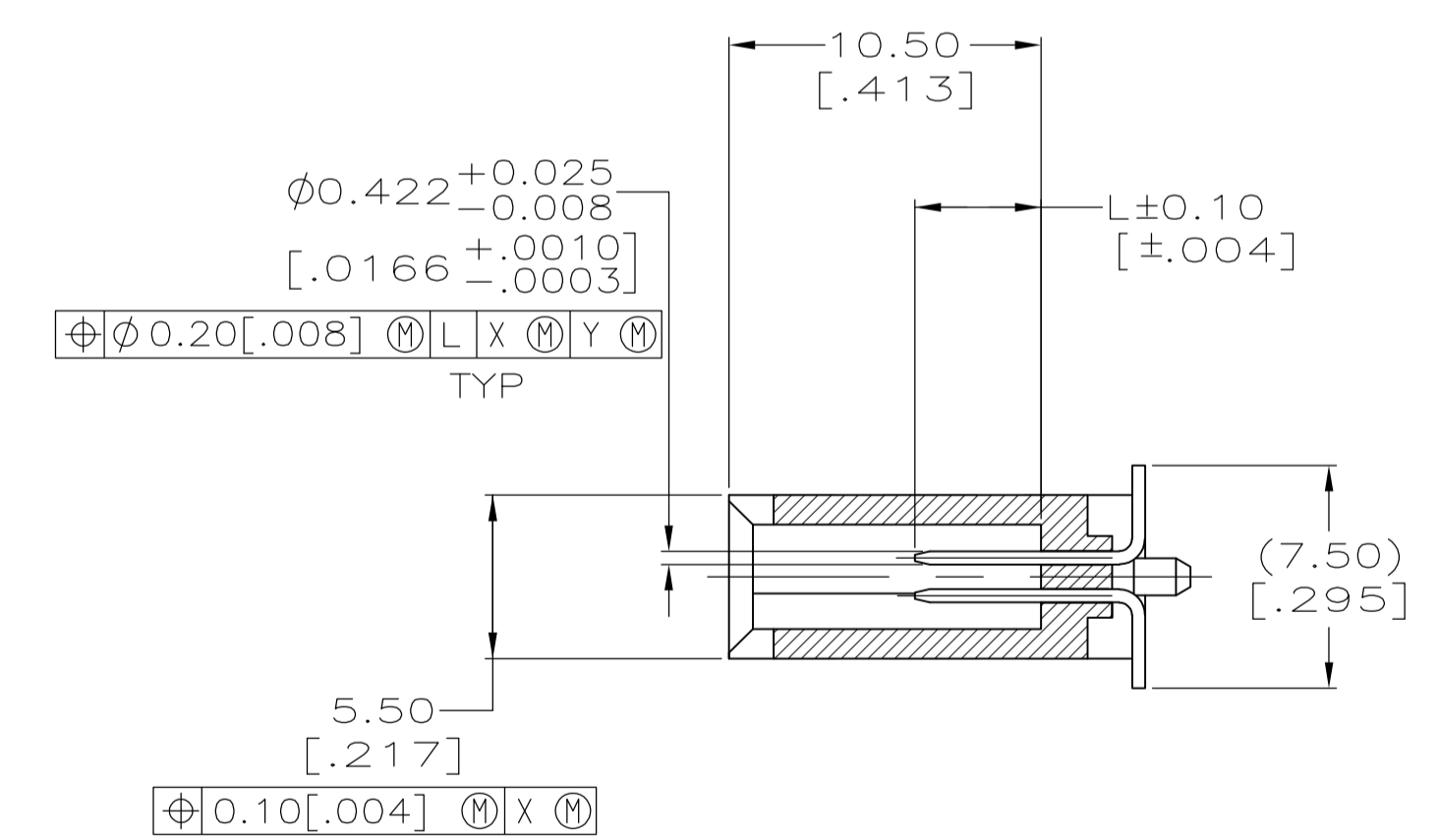


SCALE 8:1



RECOMMENDED BOARD LAYOUT



SECTION C-C

- △ CONTACTS: 0.00076[.000030] MINIMUM GOLD IN CONTACT AREA, 0.00381[.000150] MIN TIN ON SOLDER TAILS, ALL OVER 0.00127[.000050] MINIMUM NICKEL
- △ DATUMS AND BASIC DIMENSIONS ESTABLISHED BY CUSTOMER
- △ PRODUCT PACKAGED IN 72mm WIDE TAPE AND REEL.
- △ KAPTON VACUUM PICK-UP BUTTON (SHOWN IN PHANTOM TO SHOW CONNECTOR DETAIL).
- △ PRODUCT PACKAGED IN TUBES.
- △ MATERIAL:
HOUSING: LCP, COLOR BLACK
CONTACTS: BRASS

△5	AS SHOWN	1,17,34 35,51,68	ALL OTHER PINS	36,67	5145485-2
△3	AS SHOWN	1,17,34 35,51,68	ALL OTHER PINS	36,67	5145485-1
PACKAGING	DESCRIPTION	5.0[.197]	4.25[.167]	3.5[.138]	PART NUMBER
" L " PIN LENGTH AND LOCATION					

**COPYRIGHT 2005
TYCO ELECTRONICS CORP
ALL RIGHTS RESERVED**

THIS DRAWING IS A CONTROLLED DOCUMENT.

DIMENSIONS: mm [INCHES]	TOLERANCES UNLESS OTHERWISE SPECIFIED:	0 PLC ± -	1 PLC ± -	2 PLC ± 0.13[.005]	3 PLC ± -	4 PLC ± -	ANGLES ± °
----------------------------	--	-----------	-----------	--------------------	-----------	-----------	------------

APPROVED	DATE	NAME
A. FERNANDEZ-DOCKS	03-23-05	M. WALSLEY
D.L. GORENC	03-23-05	

STE TE Connectivity

PIN HEADER ASSEMBLY, VERTICAL, 68 POSITION, SURFACE MOUNT, AMP PC CARD

SIZE	CAGE CODE	DRAWING NO	RESTRICTED TO
A1	00779	5145485	-

CUSTOMER DRAWING SCALE 4:1 SHEET 1 OF 1 REV B

Mouser Electronics

Authorized Distributor

Click to View Pricing, Inventory, Delivery & Lifecycle Information:

[TE Connectivity:](#)

[5145485-1](#)