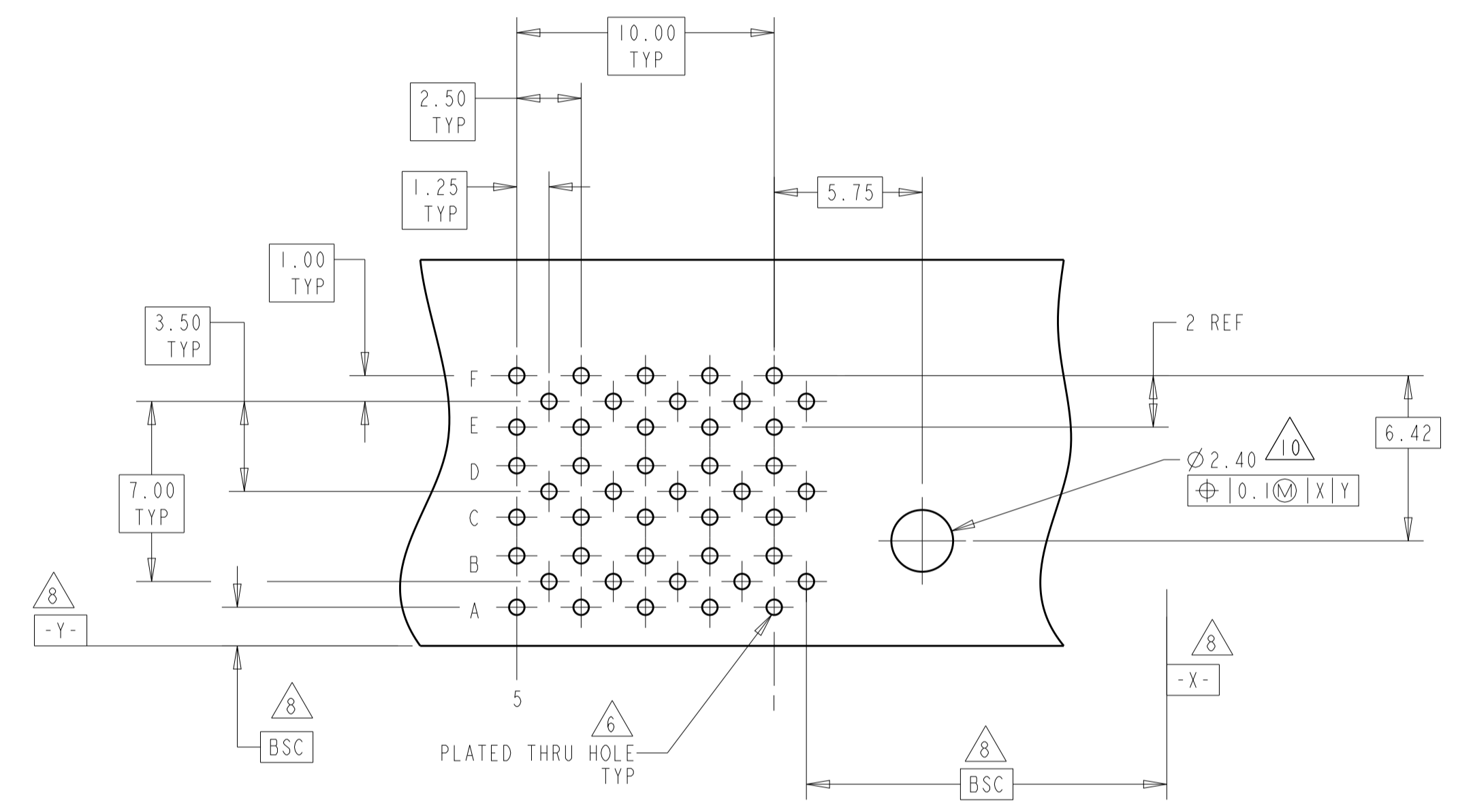
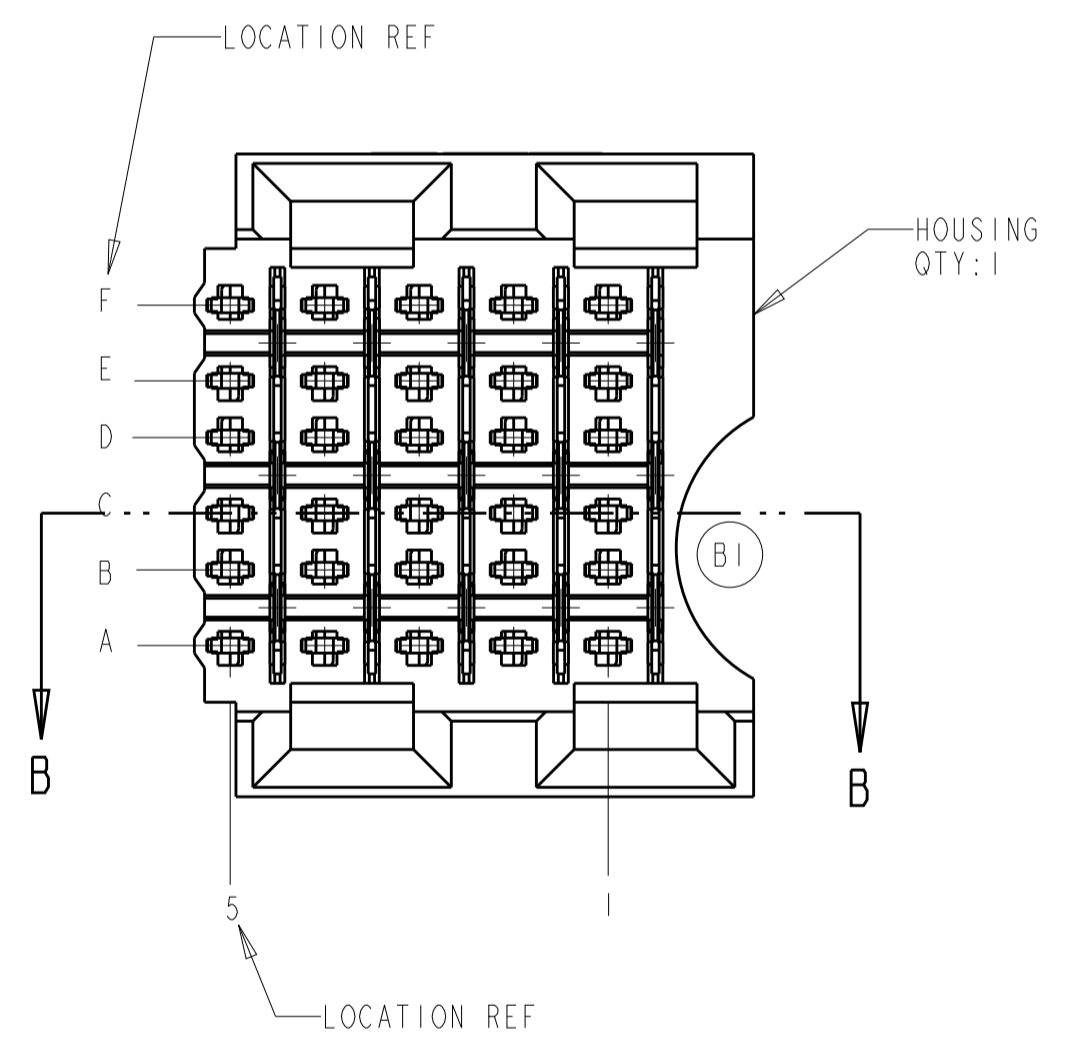
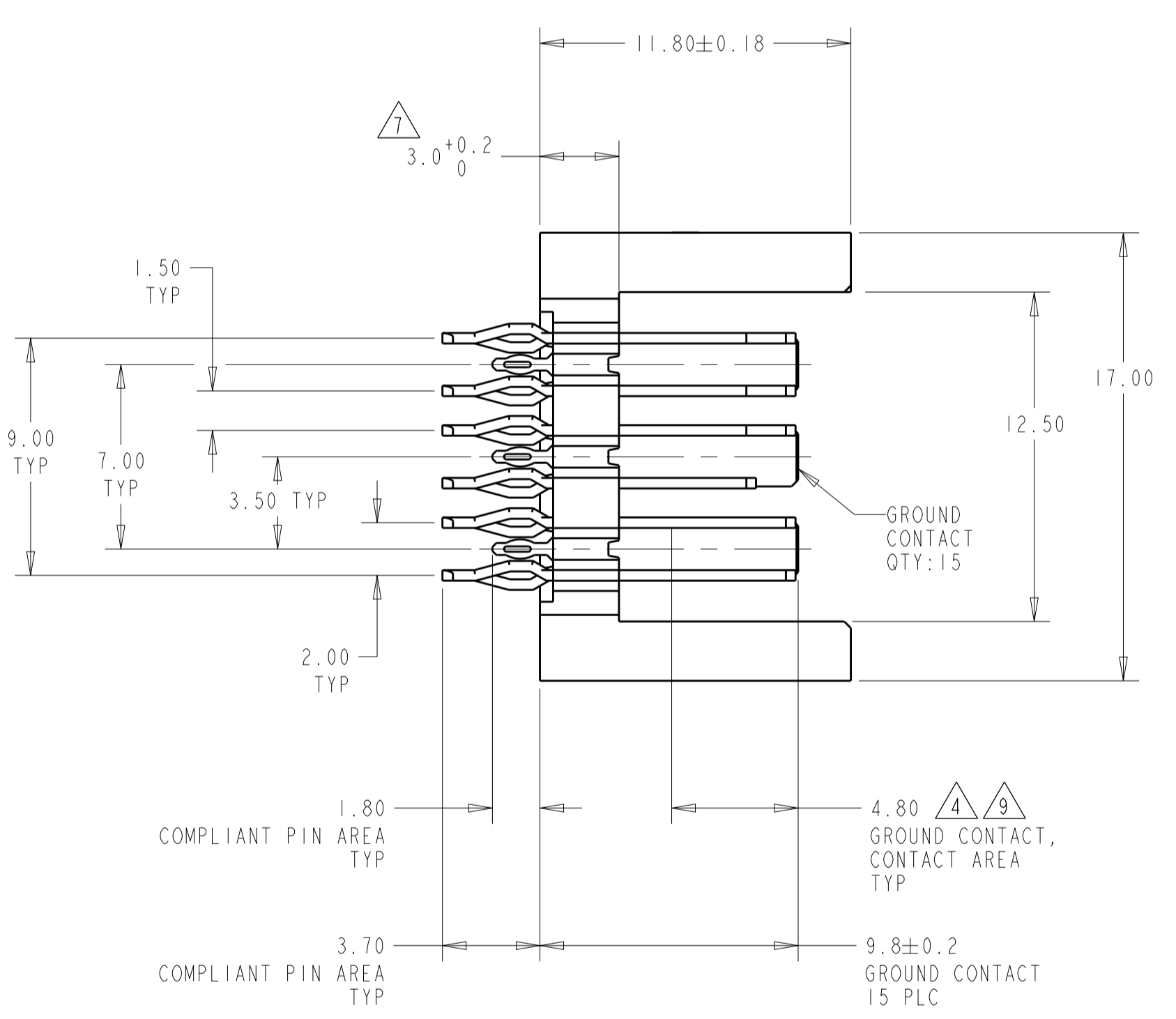
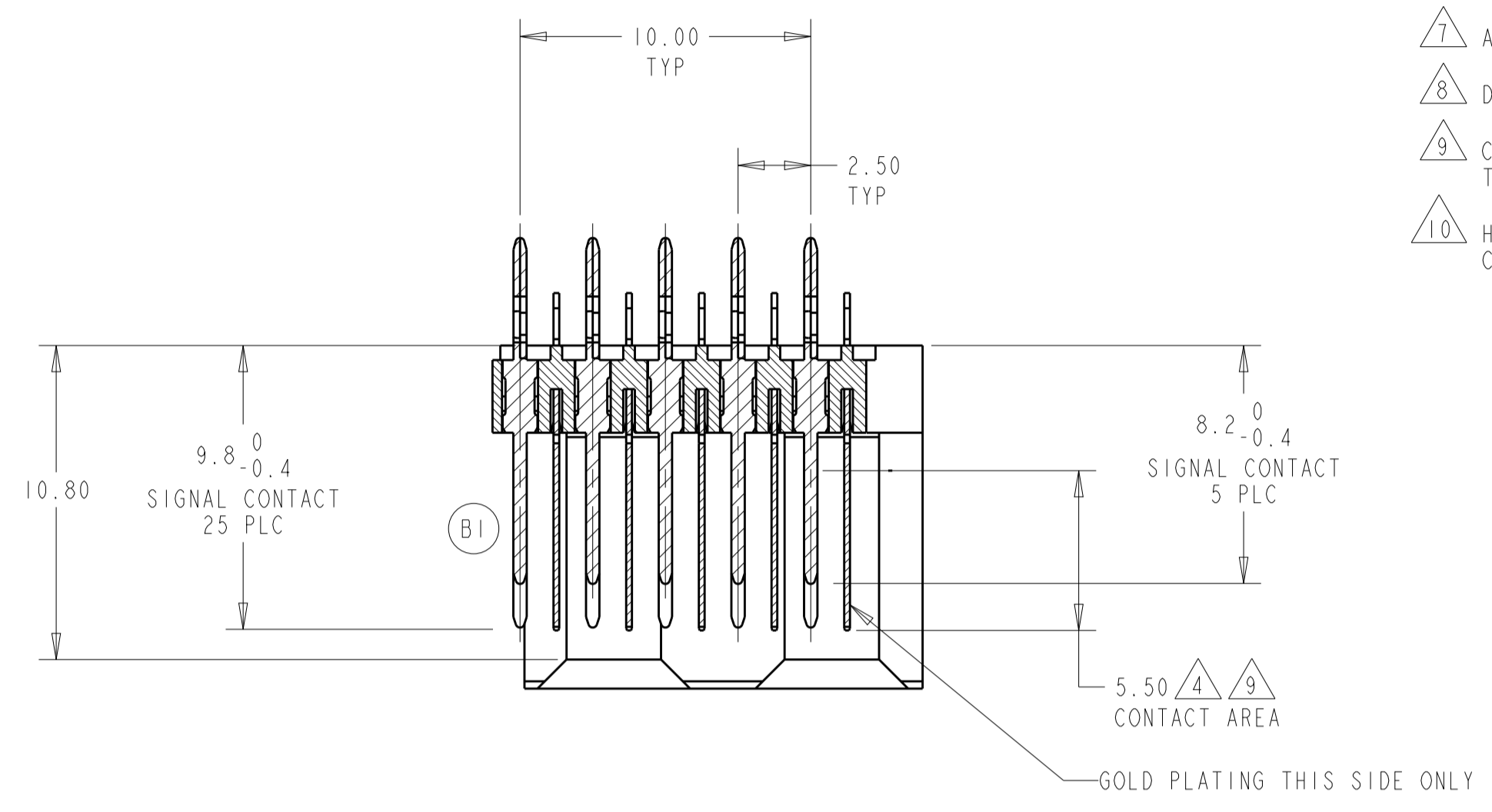
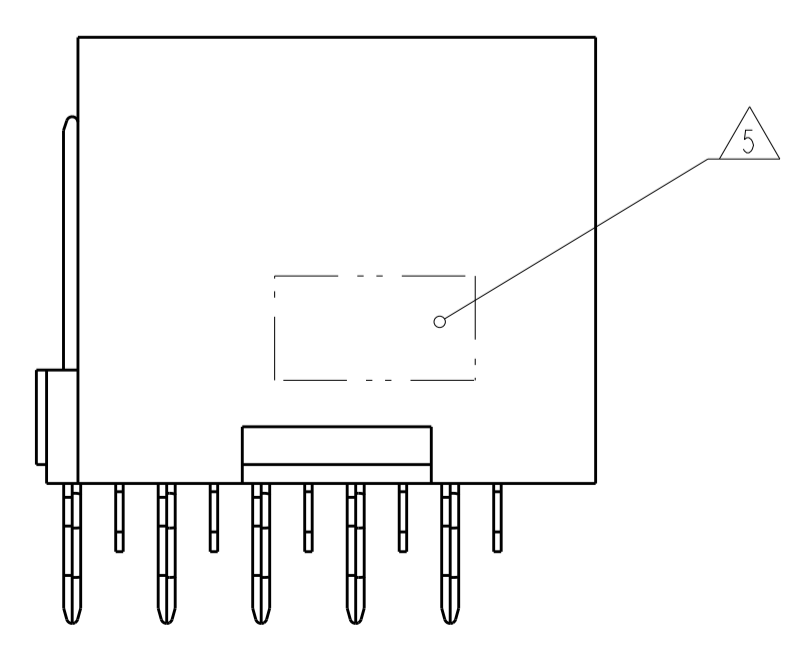


LOC		DIST		REVISIONS			
P	LTN	DESCRIPTION	DATE	DWN	APVD		
B		REVISED PER ECO-12-006972	23AUG2012	KH	JE		
B1		REVISED PER ECO-17-013931	18SEP2017	R.L	H.L		

- 2 PHOSPHOR BRONZE
- 3 GLASS FILLED POLYESTER
- 4 FINISH:
CONTACT MATING AREA MEETS THE PERFORMANCE REQUIREMENTS OF
TE CONNECTIVITY PRODUCT SPECIFICATION 108-1957; BASED ON
TELCORDIA GR-1217-CORE, APPLICATIONS IN UNCONTROLLED ENVIRONMENTS.
COMPLIANT PIN AREA: 0.5µm MIN MATTE TIN OVER BASE PLATING.
- 5 CONNECTOR MARKED WITH PART NUMBER AND DATE CODE.
- 6 REFERENCE APPLICATION SPEC 114-13020 FOR
RECOMMENDED PLATED THRU HOLE DIAMETER AND
PLATING THICKNESS.
- 7 APPLICATION SEATING HEIGHT TO PRINTED CIRCUIT BOARD.
- 8 DATUMS AND BASIC DIMENSIONS ESTABLISHED BY CUSTOMER.
- 9 CONTACT AREA LUBRICATED WITH BELLCORE APPROVED LUBRICANT.
TECHNICAL REFERENCE: GR-1217-CORE, ISSUE 1, NOVEMBER 1995.
- 10 HOLE DIAMETER SHOULD BE 3.10 WHEN USING FEED THROUGH GUIDE PIN P/N 120759.
CLEARANCE FOR A M3x0.5 THREAD.



RECOMMENDED
PRINTED CIRCUIT BOARD
LAYOUT
COMPONENT SIDE OF PRINTED CIRCUIT BOARD



ROWS A,B,D,E,F	ROW C	5120840-1
SIGNAL CONTACT TYPE B QTY: 25 9.7 LENGTH REF	SIGNAL CONTACT TYPE A QTY: 5 8.2 LENGTH REF	AMP PART NUMBER

THIS DRAWING IS A CONTROLLED DOCUMENT.

DIMENSIONS:	TOLERANCES UNLESS OTHERWISE SPECIFIED:	DWN: B. CARBO 09DEC04	CHK: R. PATTERSON 09DEC04	APVD: R. PATTERSON 09DEC04	NAME: B. PATTERSON 09DEC04
mm	0 PLC ±	PRODUCT SPEC	APPLICATION SPEC	SIZE: A1	CAGE CODE: 00779
	1 PLC ±	WEIGHT	RESTRICTED TO	SCALE: 5:1	SHEET: 1 OF 1
	2 PLC ±0.13	CUSTOMER DRAWING			REV: B1
	3 PLC ±0.05				
	4 PLC ±				
	ANGLES ±				
MATERIAL:	FINISH:				
HOUSING: 3	CONTACTS: 2				
	SIGNAL CONTACT: 4				

TE Connectivity
 HEADER ASSEMBLY, 30 POSITION,
 SEQUENCED, LEFT HAND, 6 ROW,
 Z-PACK HS3

Mouser Electronics

Authorized Distributor

Click to View Pricing, Inventory, Delivery & Lifecycle Information:

[TE Connectivity:](#)

[5120840-1](#)