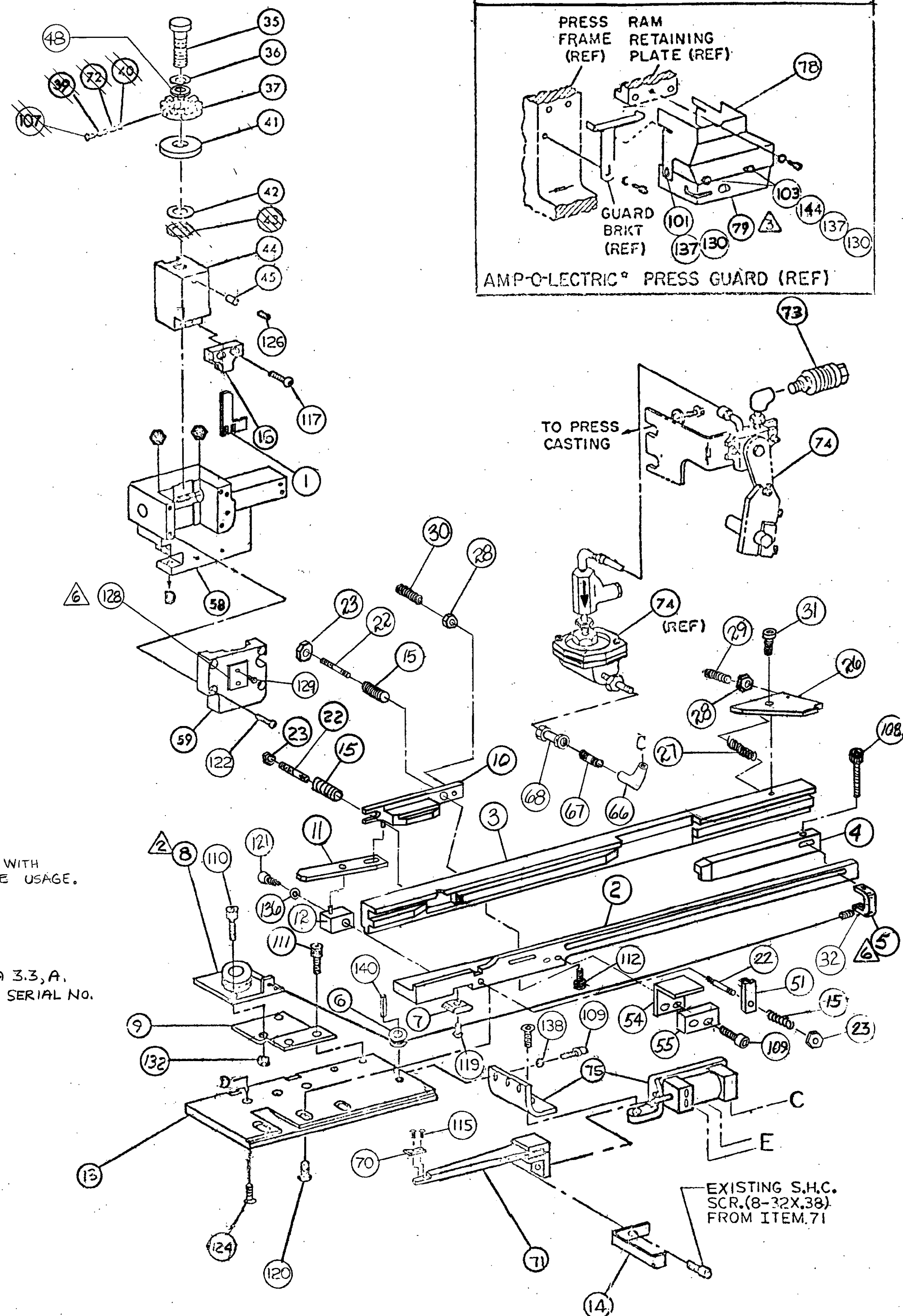
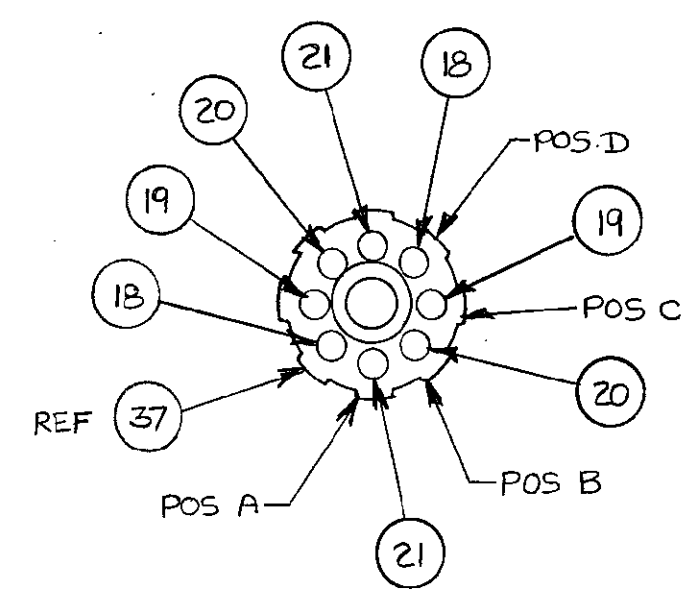
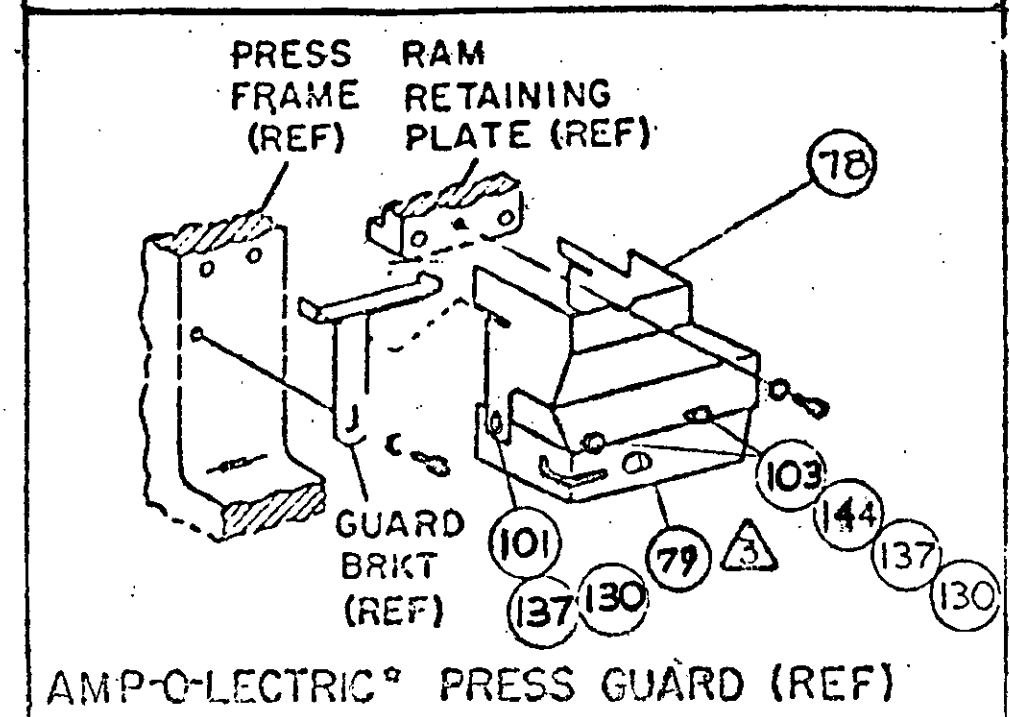
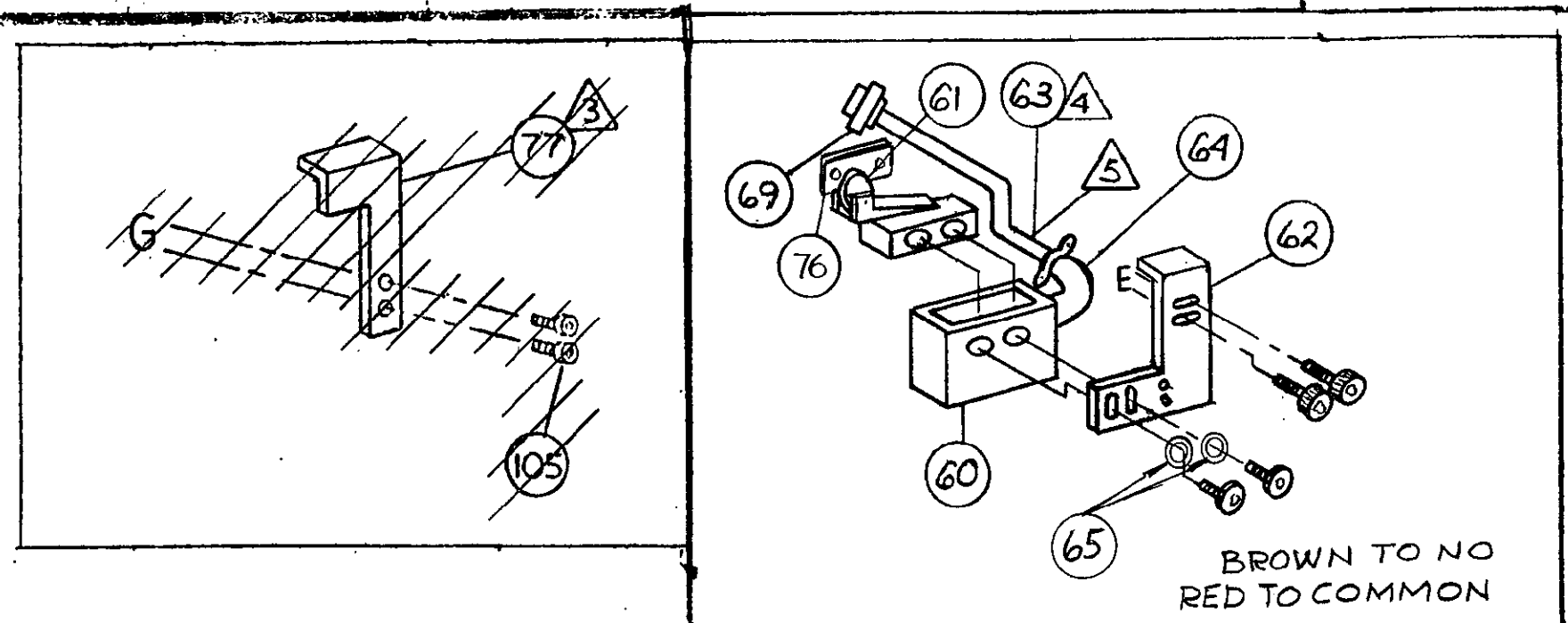


THIS DRAWING IS A CONTROLLED DOCUMENT.



NOTES:
 1 ONLY THE ITEMS WITH QUANTITIES SPECIFIED ON PARTS LIST ARE USED ON THIS APPLICATOR.

- 3 GUARD MUST BE IN PLACE WHEN OPERATING APPLICATOR IN AMP-O-LECTRIC PRESS.
- 4 LOOSE PIECE TERMINALS SHIPPED WITH ITEM 63. SEE SHEET 2 FOR POSSIBLE USAGE.
- 5 SEE SHEET 2 FOR INSTALLATION OF INTERLOCK SWITCH AND CABLE, ITEMS 61 AND 63.
- 6 IDENTIFY PER SPEC 106-2, PARA 3.3, A, STAMP PN 466728-1, MTA .100 & SERIAL NO.

- KEY:**
- RECOMMENDED SPARE PARTS.
 - ▲ LUBRICATE DAILY USING NO. 20 MACHINE OIL
 - GREASE LIGHTLY

EXISTING S.H.C. SCR.(8-32X.38) FROM ITEM.71

QTY	PART NO	DESCRIPTION	ITEM NO
1	020274-1	DOCUMENTATION PACKAGE	145
2	26928-3	SPACER, SPLIT ROLLED (#8X.50) GUARD	144
			143
			142
1	21029-9	PIN, SLOT, SPG.(.187X 1.00)HOUSING, DRAG	141
1	21029-4	PIN, SLOT, SPG.(.187X.62) PULLEY	140
			139
3	21023-6	WASHER, FLAT (#8) AIR FEED ASS'Y	138
7	21023-6	WASHER, FLAT (#8) GUARD	137
7	21024-3	WASHER, LOCK (#6)	136
			135
		WASHER, LOCK (#4) STOP, HOUSING	134
			133
2	21022-3	NUT, HEX. SELF-LKG (10-32) REEL, RETRIEVER	132
			131
3	21018-6	NUT, HEX. MACH. (8-32) GUARD	130
2	21017-2	SCR, DRIVE, #2 X .19	129
1	464249-1	PLATE, IDENTIFICATION	128
1	21009-2	SCR, SOC. SET (SPECIAL) DRAG ADJ.	127
		SCR, SOC. SET (1/4-20X.25) (LOC-WELL) RAM	126
		SCR, SOC. SET (8-32X.19) DRAG ADJ.	125
3	2-22733-9	SCR, BTN. HD. SOC. CAP (1/4-20X.75) (LOC-WELL) PLT.	124
		SCR, BTN. HD. SOC. CAP	123
4	2-21002-9	SCR, BTN. HD. SOC. CAP (10-32X.75) CAP, RAM	122
7	2-21000-0	SCR, SOC. HD. SOC. CAP (6-32X.50) HOLDER, DRAG	121
3	2-21002-6	SCR, BTN. HD. SOC. CAP (10-32X.38) TRACK, HOUS.	120
1	2-21002-6	SCR, BTN. HD. SOC. CAP (10-32X.38) LOCATOR, F. T.	119
		SCR, BTN. HD. SOC. CAP	118
2	2-21002-1	SCR, BTN. HD. SOC. CAP (8-32X.38) STUFFER, WIRE	117
		SCR, BTN. HD. SOC. CAP	116
2	1-21000-4	SCR, SKT. HD. SOC. CAP (4-40X.38) TIP, F. FINGER	115
			114
			113
5	1-21000-9	SCR, SKT. HD. CAP (6-32 X 3/8) BLOCK, F. GUIDE	112
2	3-21000-4	SCR, SKT. HD. CAP (10-32X.375) MOUNT, RET. REEL	111
2	3-21000-4	SCR, SKT. HD. CAP (10-32X.375) REEL, RETRIEVER	110
5	2-21000-8	SCR, SKT. HD. CAP (8-32X.62) AIR FEED ASS'Y	109
1	1-21000-7	SCR, SKT. HD. CAP (4-40X.75) PUSHER	108
		SCR, SKT. HD. CAP (6-32X.25) (LOC-WELL) DISC	107
			106
			105
7	21000-9	SCR, SKT. HD. CAP (4-40X.18) GUARD, AIR CYL.	104
			103
2	7-22468-4	SCR, BIND. HD. MACH. (8-32X.88) GUARD	102
			101
1	7-22468-0	SCR, BIND. HD. MACH. (8-32X.38) GUARD	100
1	461870-2	GUARD, WINDOW	99
1	457133-1	SHROUD	98
		GUARD, AIR CYLINDER	97
			96
1	465803-1	NUT, MOUNTING	95
1	460277-5	AIR FEED ASSEMBLY	94
1	692655-1	AIR FEED VALVE ASSEMBLY-692655-5	93
1	24042-2	VALVE, 3-WAY SLEEVE (SHUT OFF)	92
1	690603-1	SPRING, ASSIST	91
1	1-460680-1	FEED FINGER ASSEMBLY	90
1	463090-3	TIP, FEED FINGER	89
1	22787-2	CONNECTOR, BOX	88
1	22302-1	COUPLING, FEMALE	87
1	22313-5	NIPPLE	86
1	22306-1	ELBOW, STREET 90°	85
2	21023-6	FLAT WASHER, LIGHT-SERIES #8	84
1	22803-1	CONNECTOR, 90° BOX	83
1	465918-1	WIRE, SJO TERMINATED	82
1	462453-2	BRACKET, SWITCH	81
1	23699-1	SWITCH, MICRO	80
1	23486-1	COVER, MICRO SWITCH	79

REMARKS	NO	REV
APPL USED ON MACHINE PART NO	MACH SERIAL NO	DISTRIBUTION
CUSTOMER NAME	APPL SERIAL NO	ORIGINAL
ADDRESS	PURCHASE ORDER	CUSTOMER COPY
CITY	ENG APP	FIELD ENG COPY

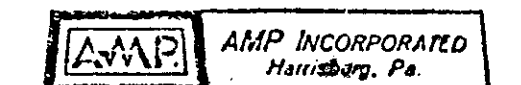
WIRE RANGE #22-#28 INSULATION RANGE PRESS NO. 260 DIA MAX 565435-5
 REMARKS FOR INSERTION DEPTH OF WIRE IN HOUSING SEE AMP SPECIFICATION 114-1019

SHEET 1 OF 2

APPLICATOR WILL APPLY	
*22 A.W.G.	
640440	641190
641237	643562
*24 A.W.G.	
640441	641191
641238	641535
*26 A.W.G.	
640442	641192
641239	
*28 A.W.G.	
640443	641193
641240	

REVISION RECORD	APPROPRIATE	REVISION RECORD	APPROPRIATE
REV A-093488	APPL. INST	REV B-0751	APPL. INST
REV C-7209	DR 7235 APP	REV D-5570	DR 7235 APP
REV E-5289-95	DR 7235 APP	REV F-5289-95	DR 7235 APP
REV G-5289-95	DR 7235 APP	REV H-5289-95	DR 7235 APP
REV I-5289-95	DR 7235 APP	REV J-5289-95	DR 7235 APP
REV K-5289-95	DR 7235 APP	REV L-5289-95	DR 7235 APP
REV M-5289-95	DR 7235 APP	REV N-5289-95	DR 7235 APP
REV O-5289-95	DR 7235 APP	REV P-5289-95	DR 7235 APP
REV Q-5289-95	DR 7235 APP	REV R-5289-95	DR 7235 APP
REV S-5289-95	DR 7235 APP	REV T-5289-95	DR 7235 APP
REV U-5289-95	DR 7235 APP	REV V-5289-95	DR 7235 APP
REV W-5289-95	DR 7235 APP	REV X-5289-95	DR 7235 APP
REV Y-5289-95	DR 7235 APP	REV Z-5289-95	DR 7235 APP

DIST 66



AMP INCORPORATED
 HARRISBURG, PA

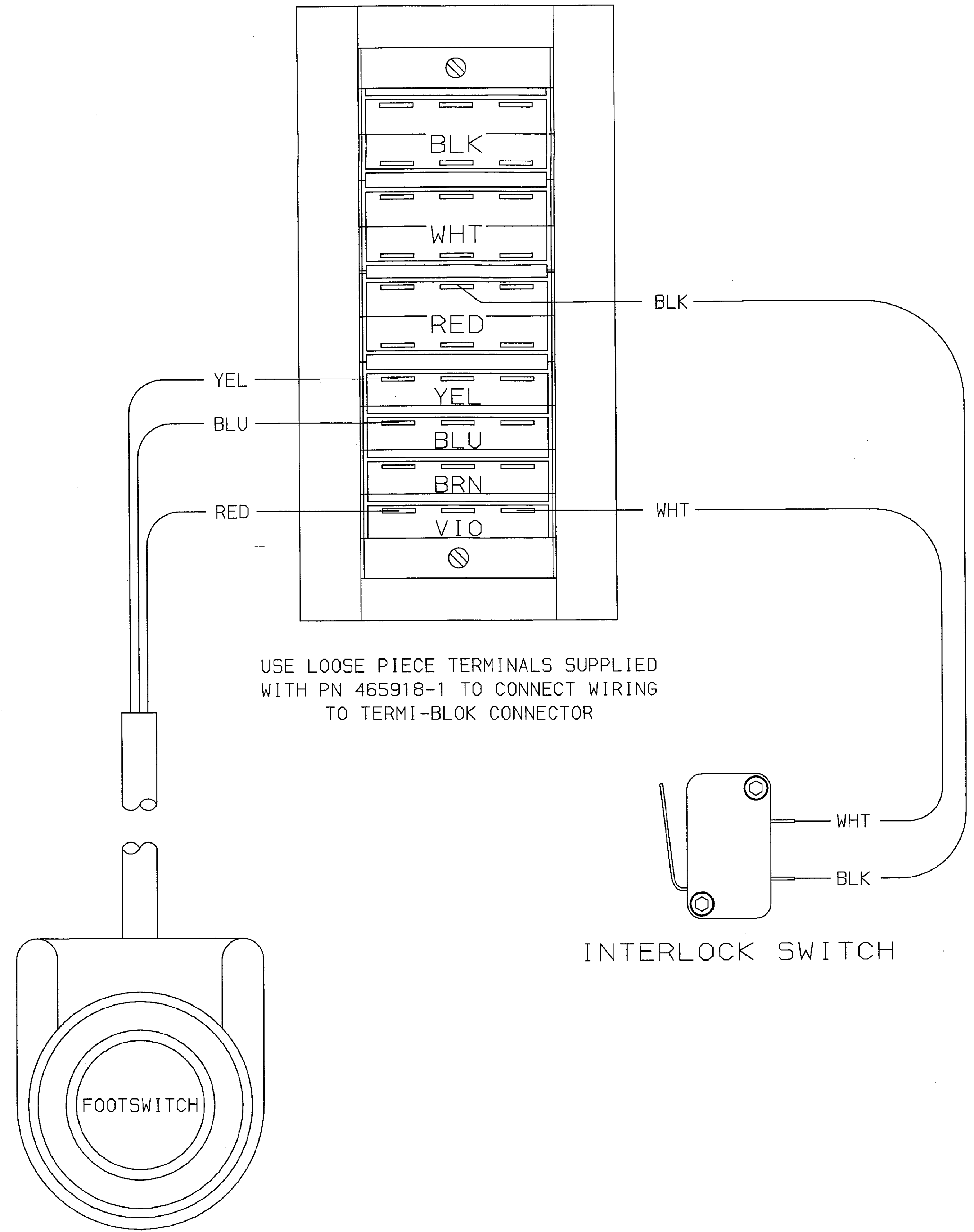
MINIATURE QUICK CHANGE APPLICATOR
 M.T.R. COMM. 1008 (CABLE TO HOUSING)

CUSTOMER AND ASSEMBLY DRAWING

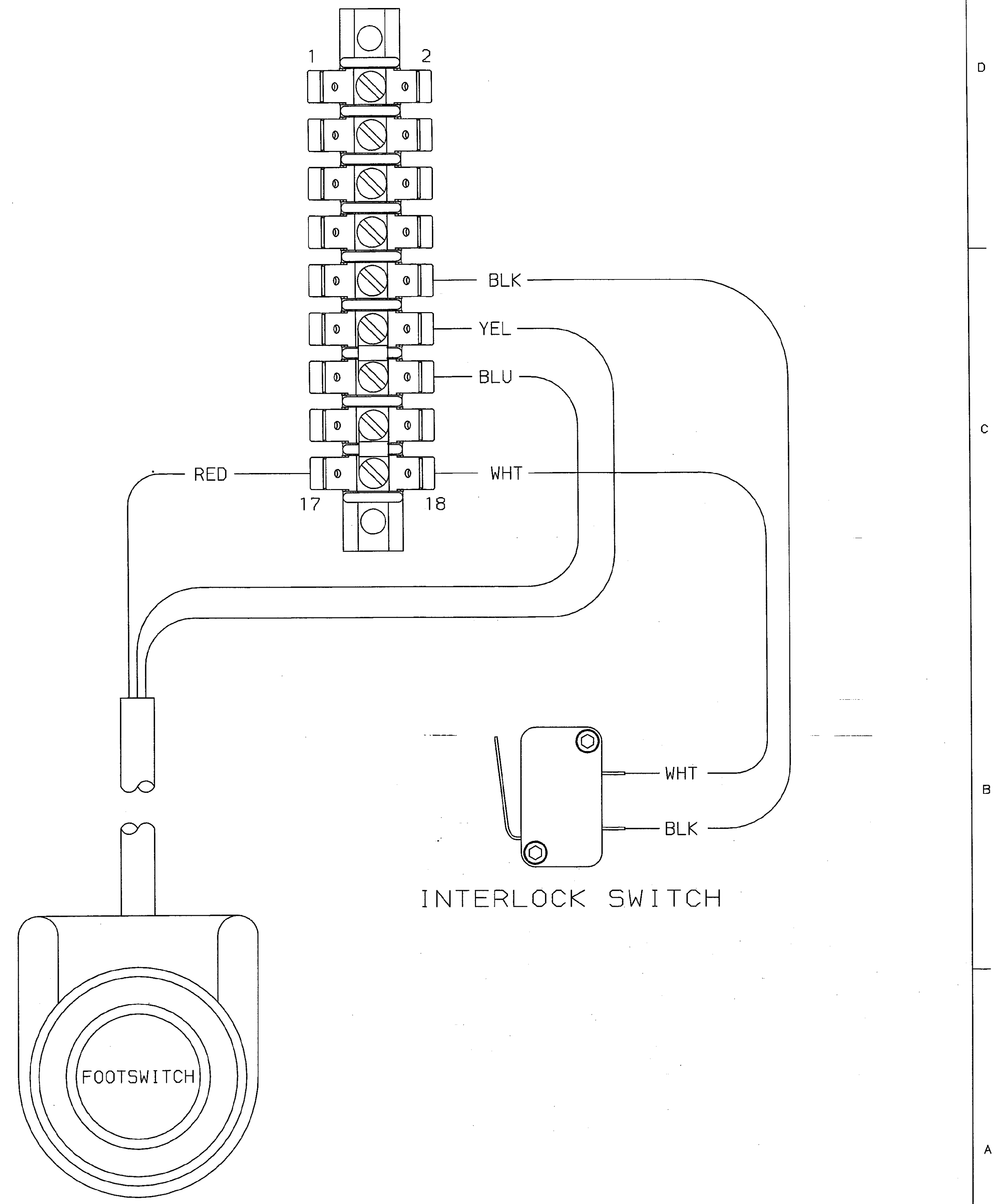
THIS INFORMATION IS CONFIDENTIAL AND PROPRIETARY TO AMP INCORPORATED. IT IS SUBJECT TO CHANGE WITHOUT NOTICE. IT MAY NOT BE DISCLOSED TO ANYONE OTHER THAN THE INDIVIDUALS AUTHORIZED TO RECEIVE IT FROM AMP INCORPORATED, HARRISBURG, PENNSYLVANIA, USA.

THIS INFORMATION IS CONFIDENTIAL AND PROPRIETARY TO AMP INCORPORATED. IT IS SUBJECT TO CHANGE WITHOUT NOTICE. IT MAY NOT BE DISCLOSED TO ANYONE OTHER THAN THE INDIVIDUALS AUTHORIZED TO RECEIVE IT FROM AMP INCORPORATED, HARRISBURG, PENNSYLVANIA, USA.

TERMI-BLOCK CONNECTOR



BARRIER STRIP



LOC
 A
 DIST
 66

P	LTR	REVISION RECORD	DATE	DN	APVD
✓		SEE SHEET 1			

FINISH	---	DN	M. YOUNGER	09FEB00	MATERIAL	---	HEAT TREAT	---
DIMENSIONS:	TO BRUNDES UNLESS OTHERWISE SPECIFIED:	CHK	---	---	AMP	AMP Incorporated	Harrisburg, PA 17105-3608	---
IN	0 PLC 1 PLC 2 PLC 3 PLC 4 PLC	APVD	M. HERSHEY	09FEB00	NAME			
		MTA CONN .100" CABLE TO HOUSING						
SURFACE TEXTURE		SCALE	1:1	SIZE	A1	DRAWING NO.	466728-1	SHEET
				2	OF	2	REV	1

NOT A CAD DRAWING

Mouser Electronics

Authorized Distributor

Click to View Pricing, Inventory, Delivery & Lifecycle Information:

[TE Connectivity:](#)

[466728-1](#)