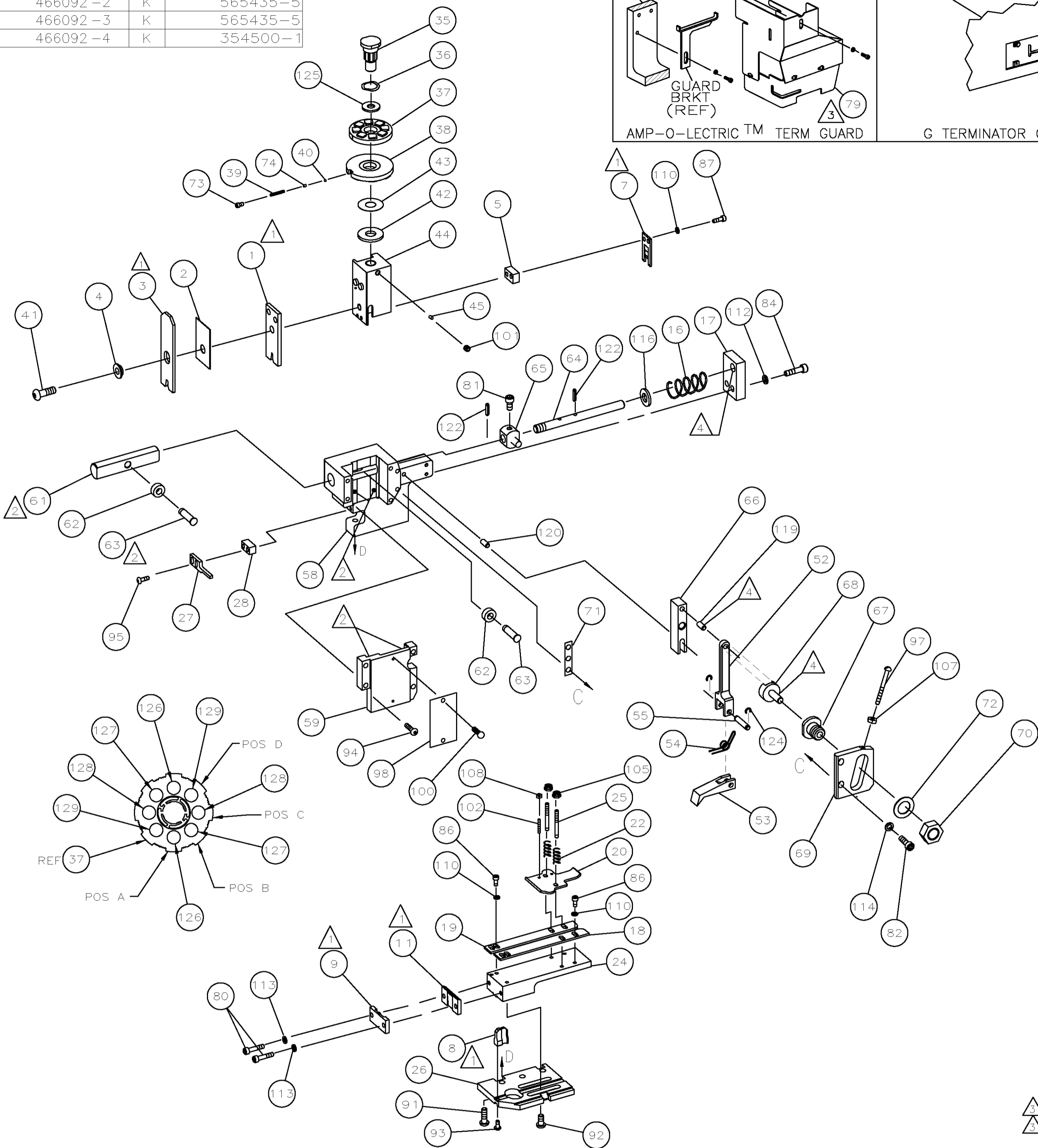
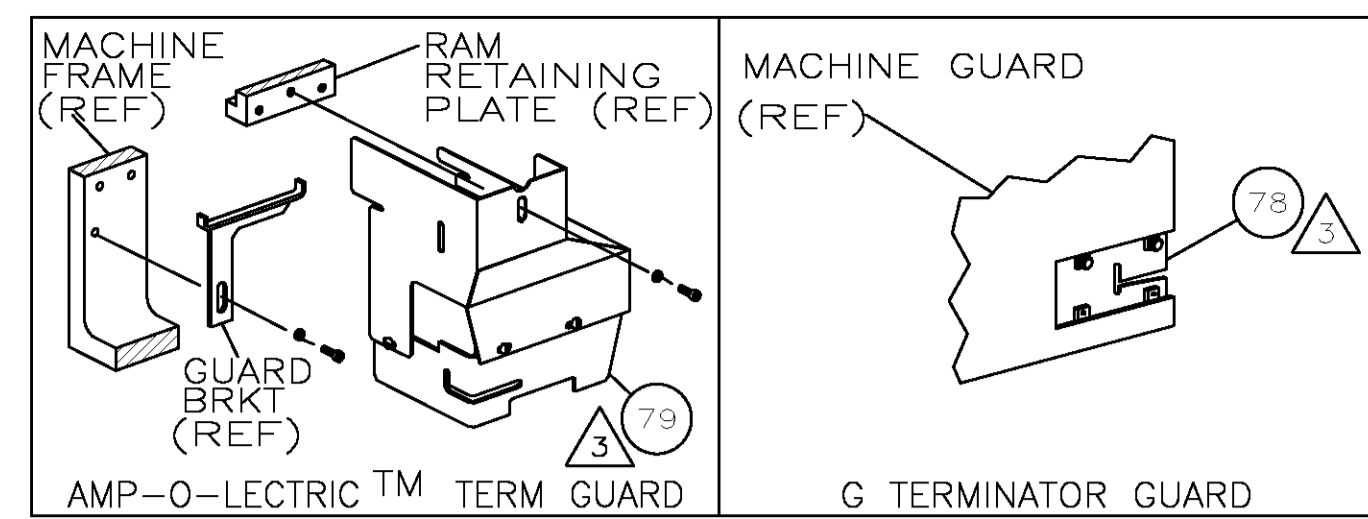


PART NUMBER	REV	FIRST USED
466092-1	K	854400-1
466092-2	K	565435-5
466092-3	K	565435-5
466092-4	K	354500-1



TERMINAL NAME:		CRIMPING DATA	
FASTIN-FASTON TAB		PAD LTR	CRIMP HEIGHT
	60701	A	.103 ±.002
	62292	B	.084 ±.002
		C	.078 ±.002
		D	.072 ±.002
		CRIMP SIZE	TYPE
		WIRE	RANGE
		INSUL	.180 F
		FEED	.120-.170
		APPL INST	408-8039
		SET UP GAGE	458638-1
		LAYOUT	L187
		WIRE STRIP LENGTH	.198-.228

LEADMAKER OR BENCH MODEL K				MECH POST FEED				BENCH MODEL K				MECH-PRE FEED			
BENCH MODEL G				MECH-POST FEED				BENCH MODEL G				MECH-PRE FEED			
REF	REF	REF	REF	-	A	22594-8	NUT, HEX								70
REF	REF	REF	REF	-	B	240628-1	PLATE, ADJ								69
REF	REF	REF	REF	-	B	240626-1	SHAFT, PIVOT								68
REF	REF	REF	REF	-	B	240633-1	BUSHING								67
REF	REF	REF	REF	-	A	455680-1	LEVER, INTERMEDIATE								66
REF	REF	REF	REF	-	B	240629-1	BLOCK, PIVOT								65
REF	REF	REF	REF	-	A	240632-2	SCR, ADJ								64
REF	REF	REF	REF	-	B	240659-3	PIN, CAM ROLLER								63
REF	REF	REF	REF	-	B	240658-1	CAM, ROLLER								62
REF	REF	REF	REF	-	B	454398-1	ROD, FEED								61
REF	REF	REF	REF	-	C	454220-1	CAP, RAM								59
REF	REF	REF	REF	-	D	453736-1	HOUSING								58
															57
															56
REF	REF	REF	REF	-	B	240624-1	PIN, FEED FINGER								55
REF	REF	REF	REF	-	B	691499-1	SPRING, FEED FINGER								54
REF	REF	REF	REF	-	B	240635-1	FINGER, FEED								53
REF	REF	REF	REF	-	B	240634-3	LEVER, TERMINAL								52
															51
-	1	-	-	-	B	690602-5	CAM, PRE-FEED 1 1/8 ST								50
1	-	-	-	-	B	690602-6	CAM, PRE-FEED 1 5/8 ST								49
-	-	1	-	-	B	690501-3	CAM, POST FEED 1 1/8 ST								48
-	-	-	1	-	B	690501-4	CAM, POST-FEED 1 5/8 ST								47
															46
1	1	1	1	-	A	690191-1	PLUG, NYLON								45
1	1	1	1	-	C	455674-1	RAM								44
1	1	1	1	-	A	690125-1	WASHER, LAMINATED								43
1	1	1	1	-	A	690124-1	WASHER, RAM								42
1	1	1	1	-	A	7-21002-9	BOLT, CRIMPER(5/16-24x1.00)								41
1	1	1	1	-	A	23241-6	BALL, STEEL								40
1	1	1	1	-	A	690170-1	SPRING, COMPRESSION								39
1	1	1	1	-	C	690142-1	DISC, INSULATION								38
1	1	1	1	-	D	354777-1	WIRE DISC, PLASTIC								37
1	1	1	1	-	A	22480-5	WASHER, SPRING								36
1	1	1	1	-	B	690212-1	POST, RAM								35
															34
															33
1	1	1	1	-	D	458980-2	APPLICATOR, BASIC (SUB ASSY)								32
															31
															30
															29
1	1	1	1	-	B	3-690451-2	SPACER, STRIPPER								28
1	1	1	1	-	A	240639-1	STRIPPER								27
REF	REF	REF	REF	-	C	455676-1	PLATE, BASE								26
2	2	2	2	-	A	22354-8	DRAG, STUD								25
1	1	1	1	-	B	455678-8	PLATE, STRIP GUIDE								24
															23
2	2	2	2	-	A	4-22281-1	SPRING, DRAG								22
															21
1	1	1	1	-	A	454177-1	DRAG, STOCK								20
1	1	1	1	-	B	458030-4	GUIDE, STRIP (REAR)								19
1	1	1	1	-	C	458031-4	GUIDE, STRIP (FRONT)								18
REF	REF	REF	REF	-	A	454178-1	GUIDE, FEED ROD								17
REF	REF	REF	REF	-	A	4-22284-9	SPRING, FEED RETURN								16
															15
															14
															13
															12
1	1	1	1	-	B	240644-7	PLATE, REAR SHEAR								11
															10
1	1	1	1	-	B	4-690482-9	PLATE, FRONT SHEAR								9
1	1	1	1	-	D	3-240655-3	ANVIL								8
1	1	1	1	-	B	690474-4	BLADE, SLUG								7
															6
1	1	1	1	-	C	4-240641-4	SPACER, SLUG BLADE								5
1	1	1	1	-	B	238009-1	SPACER, BLOCK CRIMPER								4
1	1	1	1	-	C	456134-6	CRIMPER, INSULATION								3
1	1	1	1	-	B	455888-8	SPACER, CRIMPER								2
1	1	1	1	-	C	456424-4	CRIMPER, WIRE								1

QTY	REF	REF	REF	REF	U/M	DWG SIZE	PART NO	DESCRIPTION	ITEM NO
2	2	2	2	2	-	C	8-354778-7	PIN, WIRE DISC (.2930)D	129
2	2	2	2	2	-	C	7-354778-3	PIN, WIRE DISC (.2860)C	128
2	2	2	2	2	-	C	6-354778-1	PIN, WIRE DISC (.2800)B	127
2	2	2	2	2	-	C	2-354778-1	PIN, WIRE DISC (.2600)A	126
1	1	1	1	1	-	A	986950-1	WASHER, FLAT PRECISION	125
REF	REF	REF	REF	REF	-	A	21045-3	RING,RET"C"(Ø.187)FD PIN	124
REF	REF	REF	REF	REF	-	A	5-21028-1	PIN,STD SPRING(Ø.12)FD ADJ ROD	122
REF	REF	REF	REF	REF	-	A	1-21030-7	PIN,DOWEL(Ø.187x1.50)HSG	120
REF	REF	REF	REF	REF	-	A	1-21030-1	PIN,DOWEL(Ø.187x.50)LEVER	119
									118
									117
REF	REF	REF	REF	REF	-	A	21899-4	WASHER,FLAT(Ø5/16)SCR ADJ	116
									115
REF	REF	REF	REF	REF	-	A	21024-5	WASHER,LOCK(NO.10)FD ADJ PL	114
2	2	2	2	2	-	A	21024-5	WASHER,LOCK(NO.10)SHEAR PL	113
REF	REF	REF	REF	REF	-	A	21024-5	WASHER,LOCK(NO.10)FD ROD GDE	112
									111
6	6	6	6	6	-	A	21024-4	WASHER,LOCK(NO.8)SHEAR BL	110
									109
2	2	2	2	2	-	A	21018-4	NUT,HEX(4-40)DRAG	108
REF	REF	REF	REF	REF	-	A	21018-5	NUT,HEX(6-32)FD ADJ PL	107
									106
2	2	2	2	2	-	A	21022-2	NUT,HEX SL(8-32)DRAG STUD	105
									104
									103
2	2	2	2	2	-	A	2-21006-6	SKT SKT SET (4-40x.75)DRAG	102
1	1	1	1	1	-	A	21009-2	SCR,SKT SET(1/4-20x.25)RAM	101
2	2	2	2	2	-	A	21017-2	SCR,DRIVE(#2x.19)ID PLATE	100
1	1	1	1	1	-	A	1-21002-7	SCR,BHC(6-32x.38)CAM	99
1	1	1	1	1	-	B	461264-1	PLATE, IDENTIFICATION	98
REF	REF	REF	REF	REF	-	A	6-23715-5	SCR,PAN HD(6-32x1.50)FEED ADJ	97
									96
2	2	2	2	2	-	A	2-21002-2	SCR,BHC(8-32x.50)STRIPPER	95
REF	REF	REF	REF	REF	-	A	2-21002-9	SCR,BHC(10-32x.75)HSG CAP	94
1	1	1	1	1	-	A	22733-8	SCR,BHC(8-32x.38 LW)ANVIL	93
4	4	4	4	4	-	A	3-21002-3	SCR,BHC(1/4-20x.50)ST GD PL	92
REF	REF	REF	REF	REF	-	A	2-22733-8	SCR,BHC(1/4-20x.62)BASE PL	91
									90
									89
									88
2	2	2	2	2	-	A	2-21000-9	SCR,SHC(8-32x.75)SLUG BLADE	87
4	4	4	4	4	-	A	2-21000-6	SCR,SHC(8-32x.38)STRIP GUIDE	86
									85
REF	REF	REF	REF	REF	-	A	3-21000-7	SCR, SKT CAP(10-32x.75)FD GDE	84
									83
REF	REF	REF	REF	REF	-	A	3-21000-6	SCR,SKT CAP(10-32x.62)FD ADJ P	82
REF	REF	REF	REF	REF	-	A	3-21000-4	SCR,SKT CAP(10-32x.38)PIVOT BL	81
2	2	2	2	2	-	A	3-2		

Mouser Electronics

Authorized Distributor

Click to View Pricing, Inventory, Delivery & Lifecycle Information:

[TE Connectivity:](#)

[466092-4](#)