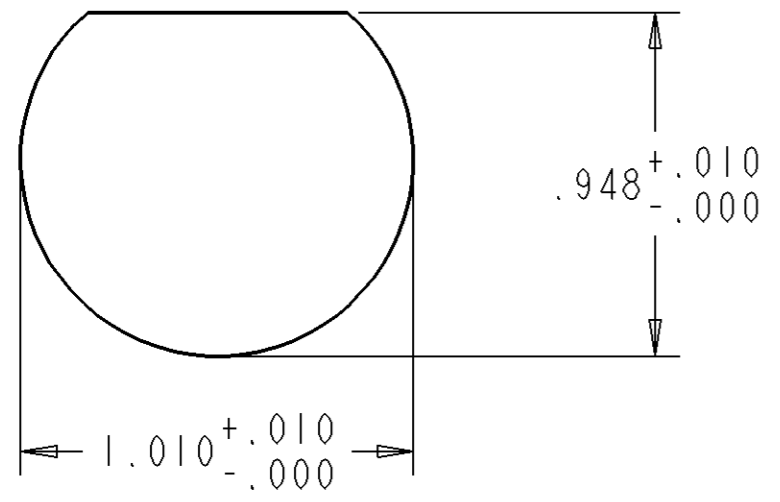


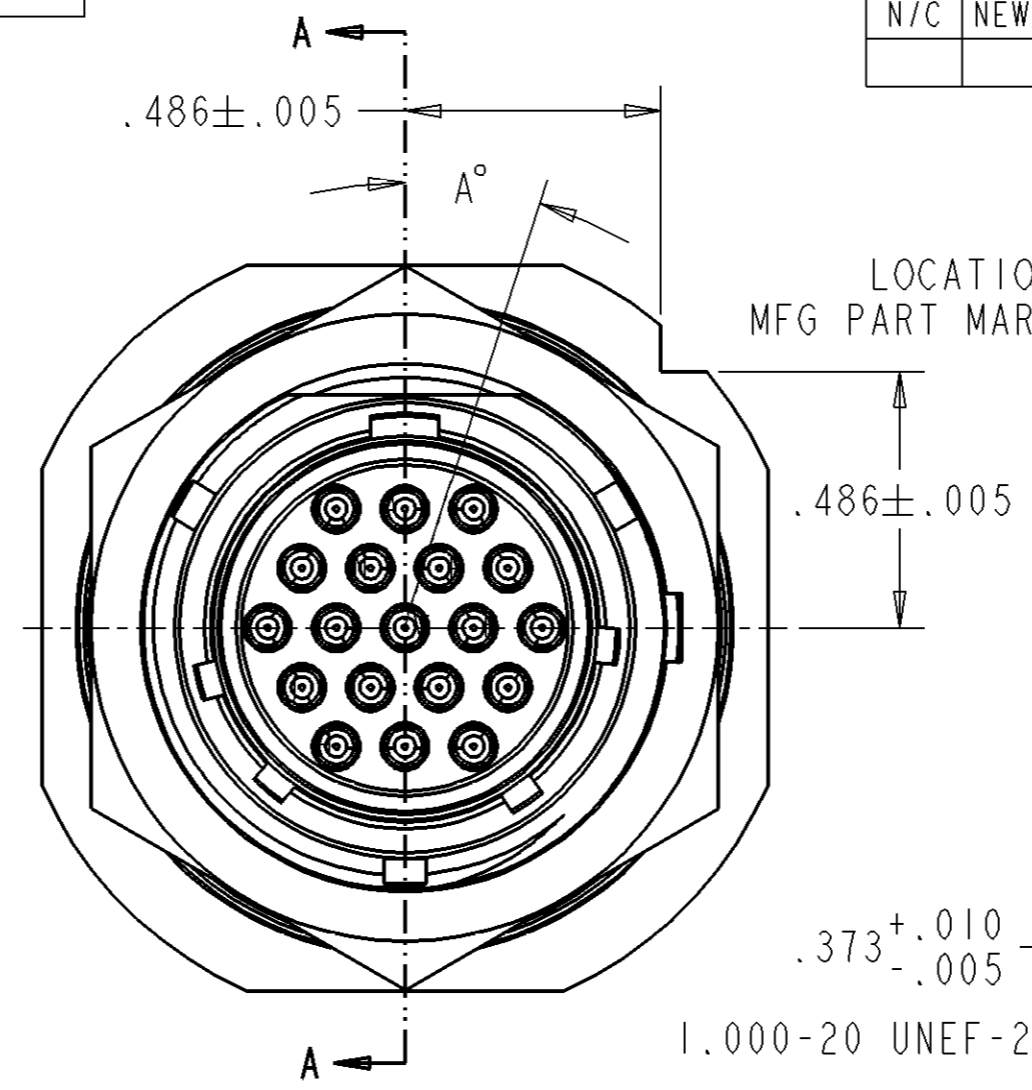
REVISIONS			
REV	DESCRIPTIONS	DATE	APPROVED
N/C	NEW RELEASE PER E.O.H4618	100608	S.L.



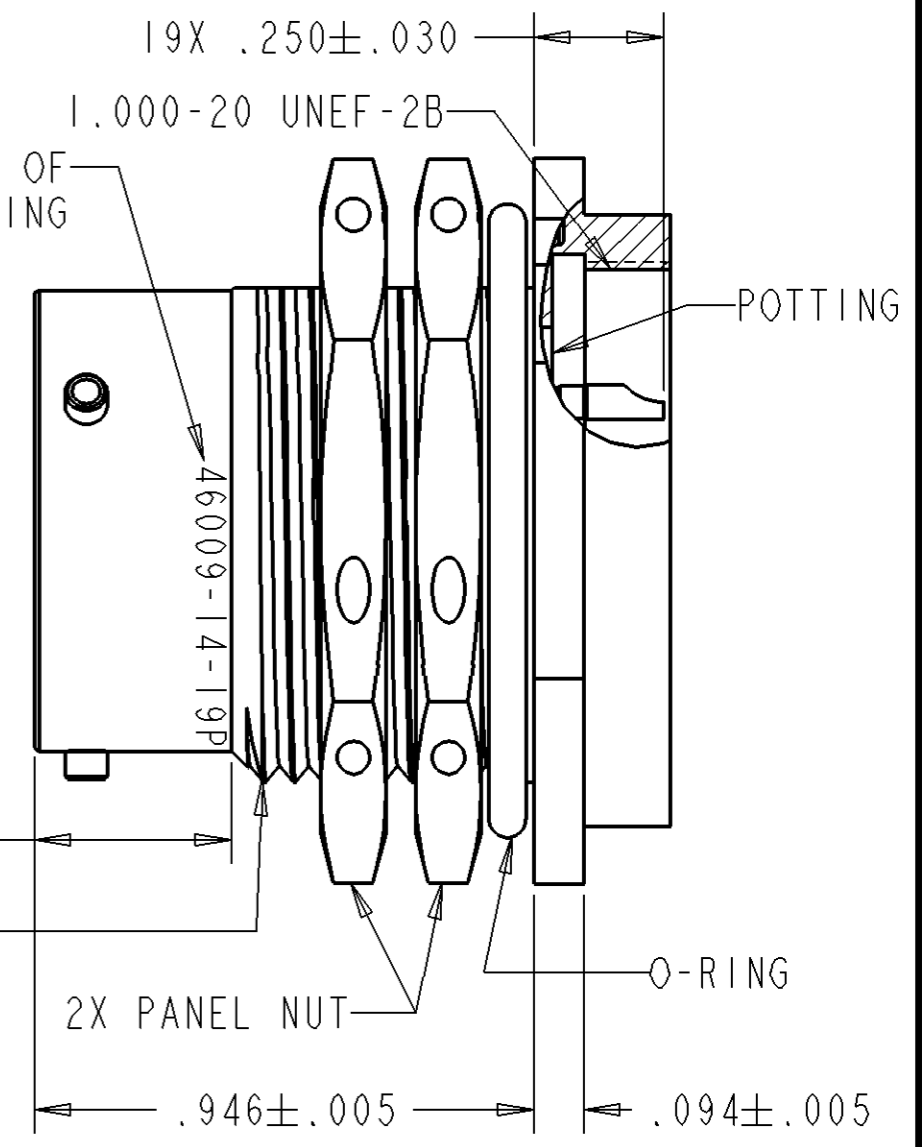
RECOMMEND PANEL CUTOUT

- DIMENSIONS ARE IN INCHES UNLESS OTHERWISE SPECIFIED.
- INSERT ARRANGEMENT PER MIL-STD-1669.
- LEAK RATE: 1E-8 cc/sec He @ 1 atm.
- INSULATION RESISTANCE: >5000 MEGOHM @ 500VDC
DIELECTRIC WITHSTANDING VOLTAGE:
NO BREAKDOWN @ 1500 VAC FOR SIZE 20 CONTACTS
- MATERIAL:
SHELL/PANEL NUT- CARBON STEEL
INSULATOR - GLASS INSERT
PIN CONTACT - 52 HIGH NICKEL IRON ALLOY
O-RING AND INTERFACIAL SEAL - FLUOROSILICONE ELASTOMER
POTTING - DIELECTRIC EPOXY
- FINISH:
SHELL & PANEL NUT- TIN OVER NICKEL PLATE
PIN CONTACT - GOLD OVER NICKEL PLATE
- MATES WITH AFD5614-19S* OR MS3476L14-19S* PLUG.

NOTE(S):



PART NUMBER	POSITION	A°
46009-14-19PN	N	0
46009-14-19PW	W	30




SECTION A-A

FILE: 46009-14-19PX-ENV

	SIGNATURE & DATE
DR	M.ALLEN 100607
CHK	S.LUI 100608
PE	
APPD	A.RENGIFO 100609
SCALE:	

RECEPTACLE, CONNECTOR
HERMETIC
14-19 ARRANGEMENT
MIL-DTL-26482 SERIES 2 TYPE

ENVELOPE DRAWING

NBO	MATL CODE 73
DEUTSCH ENGINEERED INTERCONNECT SOLUTIONS  250 Eddie Jones Way Oceanside, CA 92058	
B	46009-14-19PX
DWG SIZE	CAGE CODE 11139
	SHEET 1 OF 1

Mouser Electronics

Authorized Distributor

Click to View Pricing, Inventory, Delivery & Lifecycle Information:

[TE Connectivity:](#)

[46009-14-19PN](#)