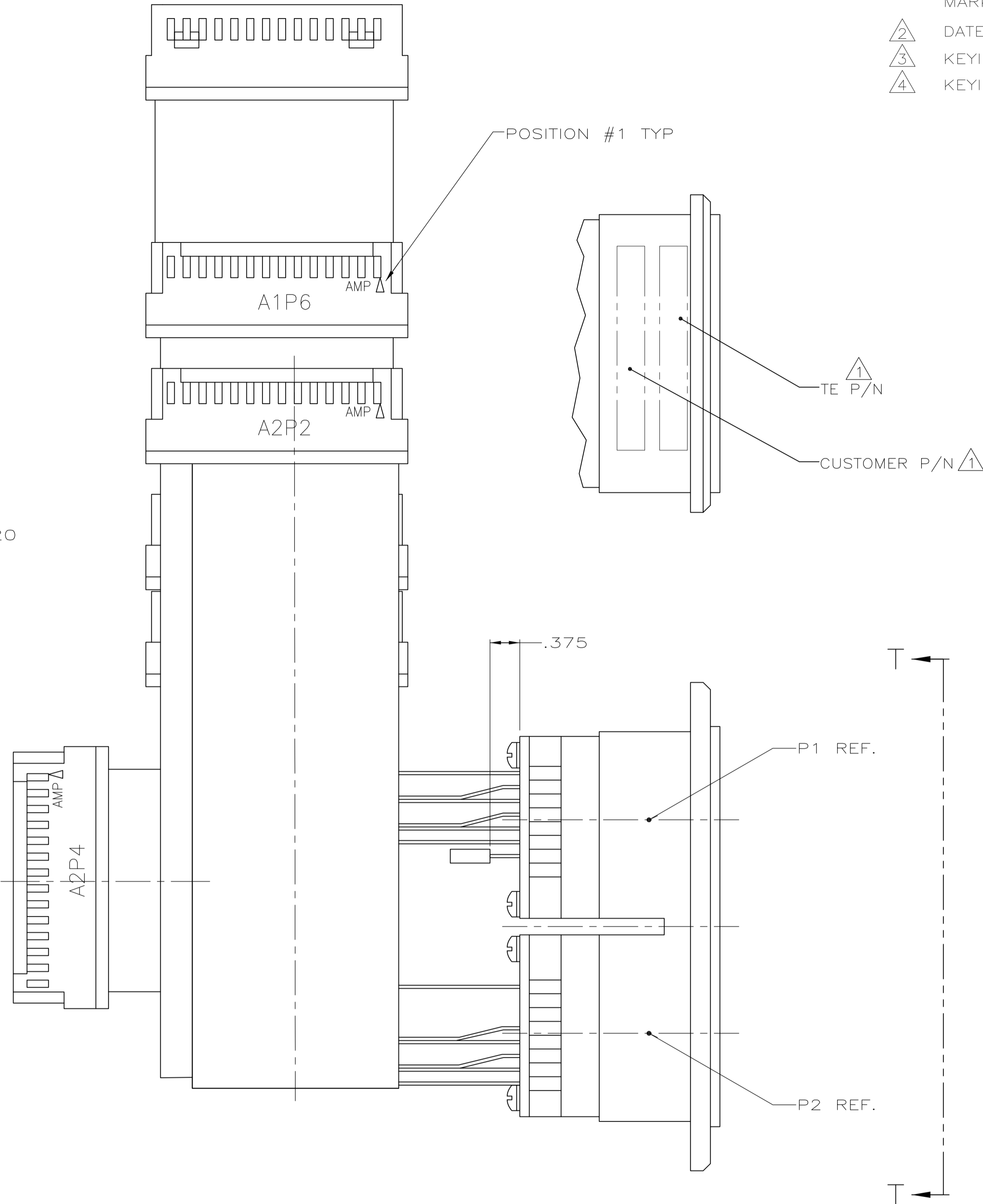
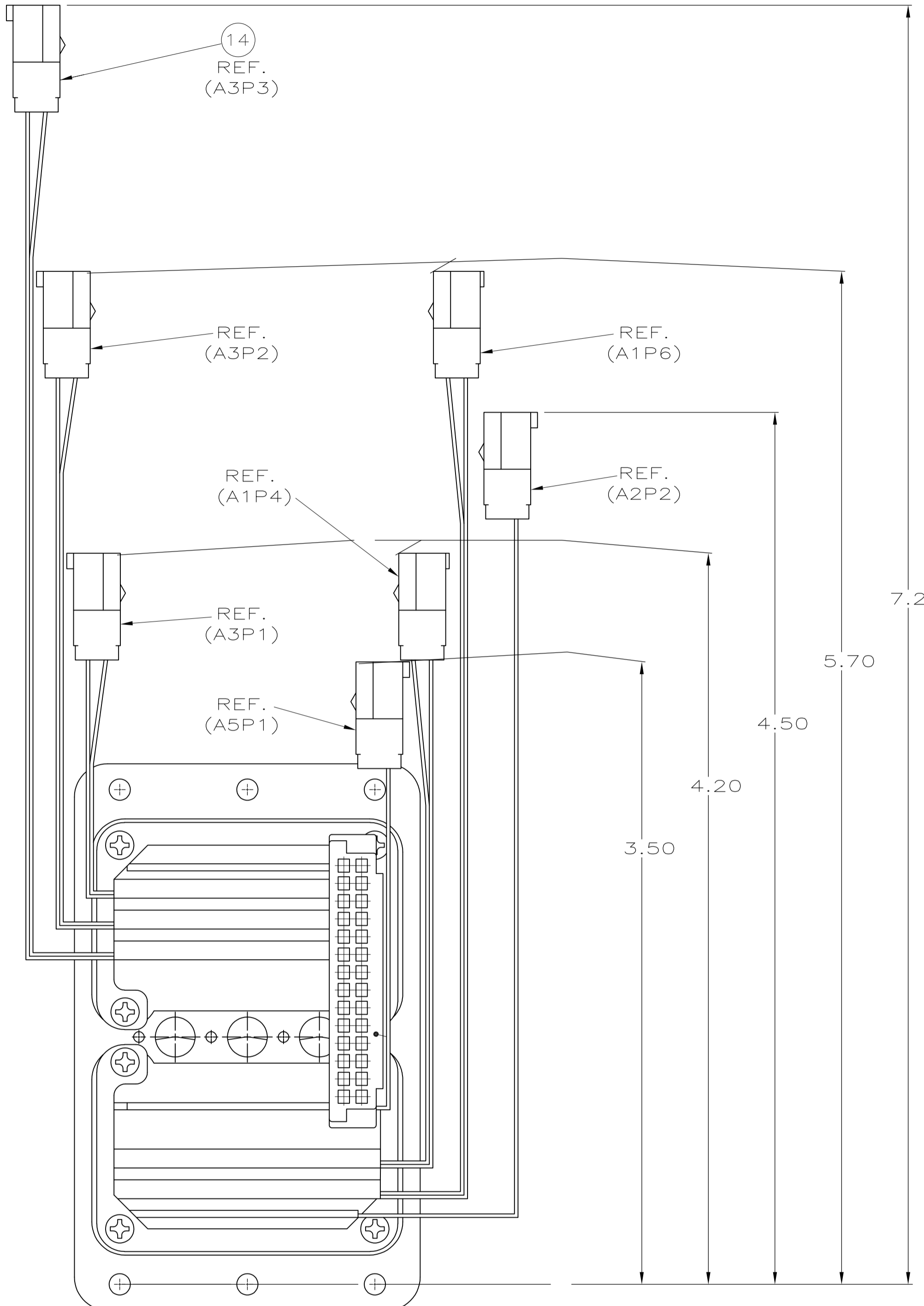
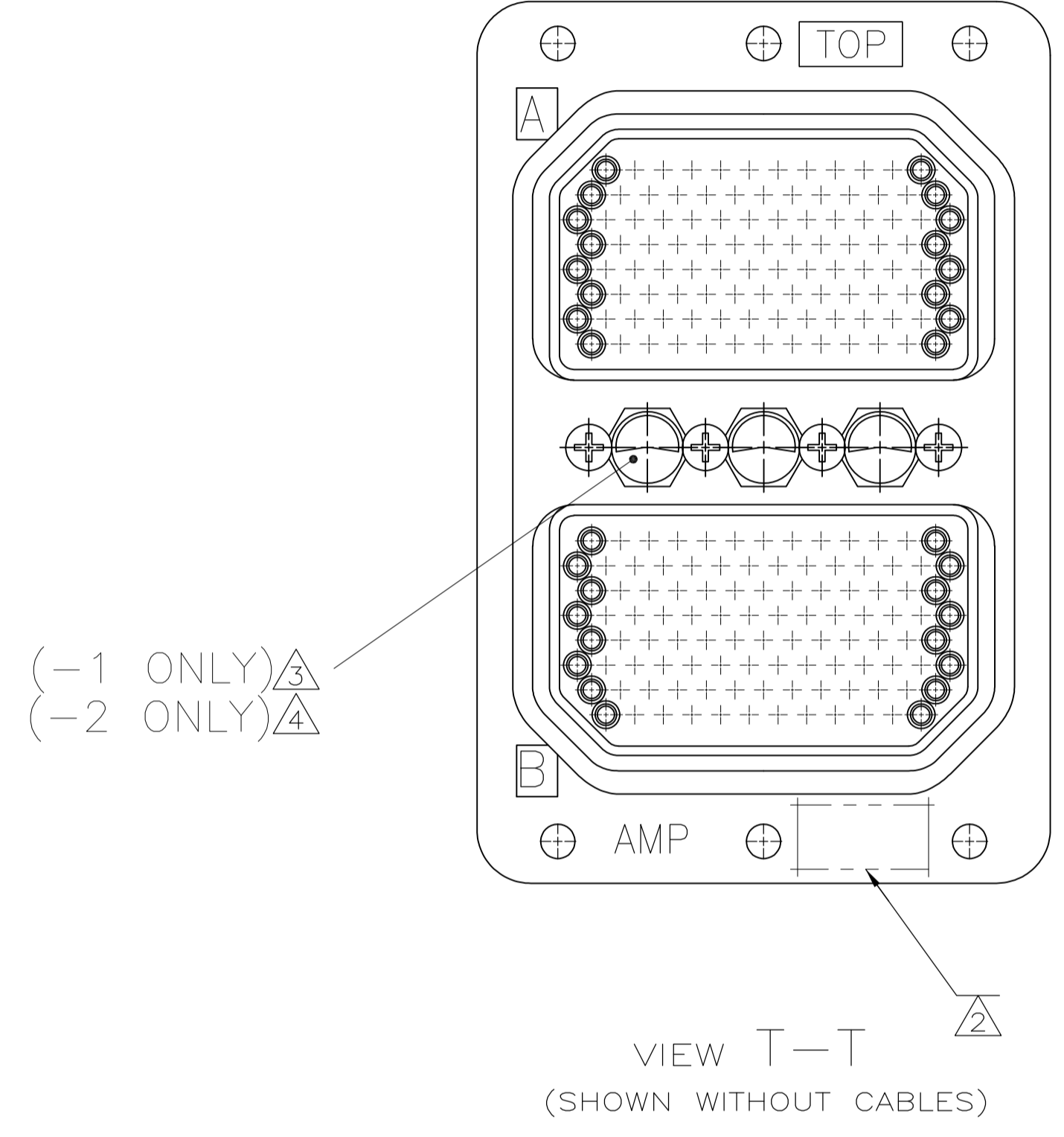


LOC		DIST		REVISIONS			
P	LTR	DESCRIPTION	DATE	DNW	APVD		
A		RELEASED	6-19-15	CT	DE		



- ① TE PART NUMBER AND CUST PART NO., MARKED IN THIS AREA
- ② DATE CODE MARKED IN THIS AREA.
- ③ KEYING ASSEMBLED IN POSN. 01. (-1 ONLY).
- ④ KEYING ASSEMBLED IN POSN. 21. (-2 ONLY).



INSERT	FROM	TO	INSERT	FROM	TO
A	P1-1 THRU P1-12	A2P4-1 THRU A2P4-12	B	P2-1 THRU P2-12	A2P2-1 THRU A2P2-12
	P1-13 THRU P1-25	A3P1-13 THRU A3P1-1		P2-13 THRU P2-25	A1P6-16 THRU A1P6-28
	P1-26 THRU P1-39	A3P1-28 THRU A3P1-15		P2-26 THRU P2-39	A1P6-1 THRU A1P6-14
	P1-40 THRU P1-52	A3P2-13 THRU A3P2-1		P2-40 THRU P2-52	A1P4-16 THRU A1P4-28
	P1-53 THRU P1-66	A3P2-28 THRU A3P2-15		P2-53 THRU P2-66	A1P4-1 THRU A1P4-14
	P1-67 THRU P1-79	A3P3-13 THRU A3P3-1		P2-67 THRU P2-79	BLANK
	P1-80 THRU P1-93	W1P3-1 THRU W1P3-14		P2-80 THRU P2-93	BLANK
	P1-94 THRU P1-106	BLANK		P2-94 THRU P2-106	A5P1-1 THRU A5P1-13

2231441-2	*21*	447879-2
2231441-1	*01*	447879-1
CUSTOMER P/N	KEYING	PART NO.

THIS DRAWING IS A CONTROLLED DOCUMENT.

DIMENSIONS: INCHES	TOLERANCES UNLESS OTHERWISE SPECIFIED:	DIN C.C.THOMAS 6-19-15	APVD D.FARY 6-19-15	NAME	RECEPTACLE CONNECTOR ASSY.,FFC
0. PLC ± -	1. PLC ± .01	2. PLC ± .01	3. PLC ± -	4. PLC ANGLES ± -	APPLICATION SPEC
MATERIAL	FINISH	WEIGHT	SIZE	CAGE CODE	DRAWING NO
			A1	00779	447879
CUSTOMER DRAWING		SCALE	NTS	SHEET	1 OF 1

RESTRICTED TO: REV A

Mouser Electronics

Authorized Distributor

Click to View Pricing, Inventory, Delivery & Lifecycle Information:

[TE Connectivity:](#)

[447879-1](#)