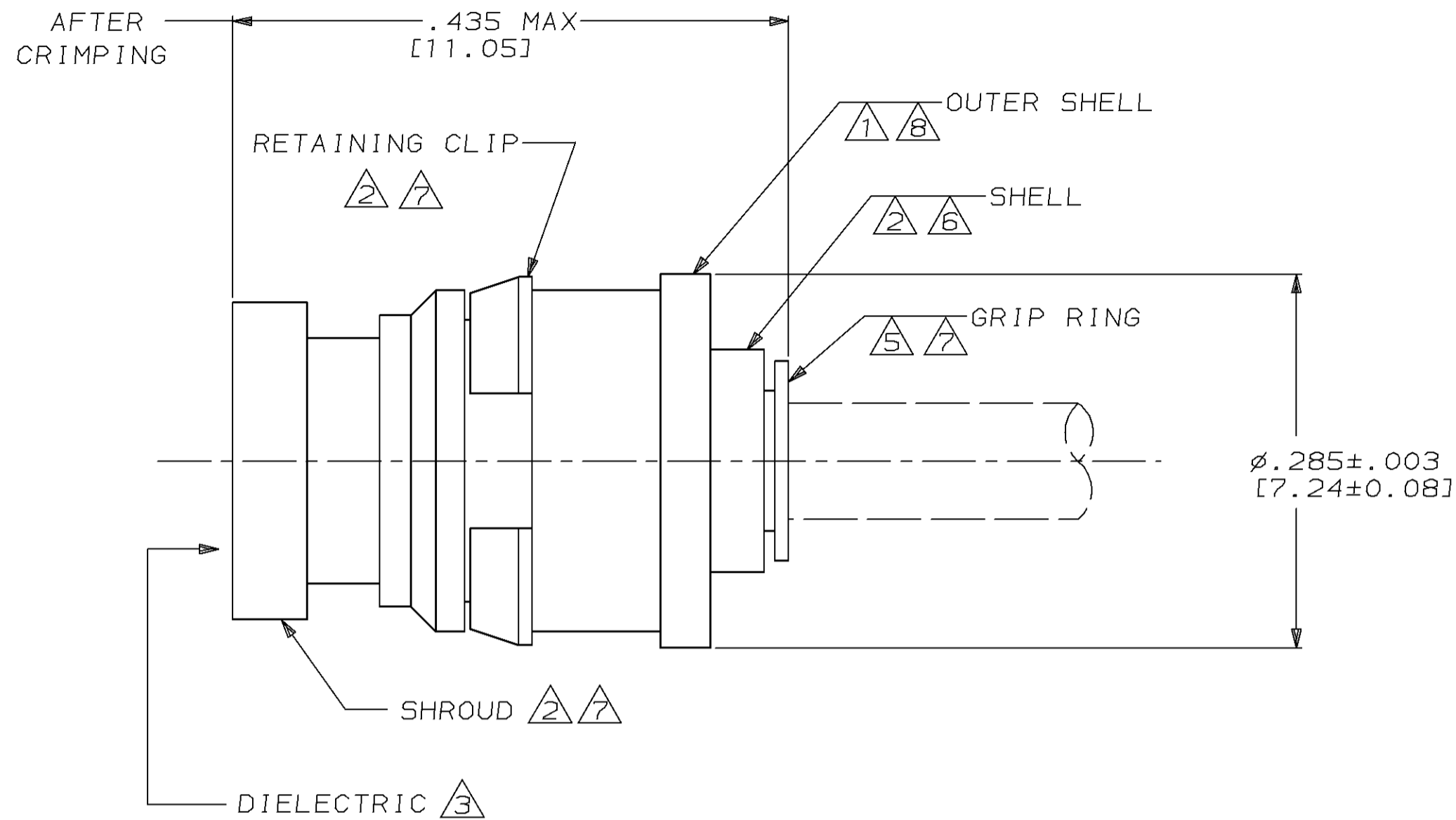
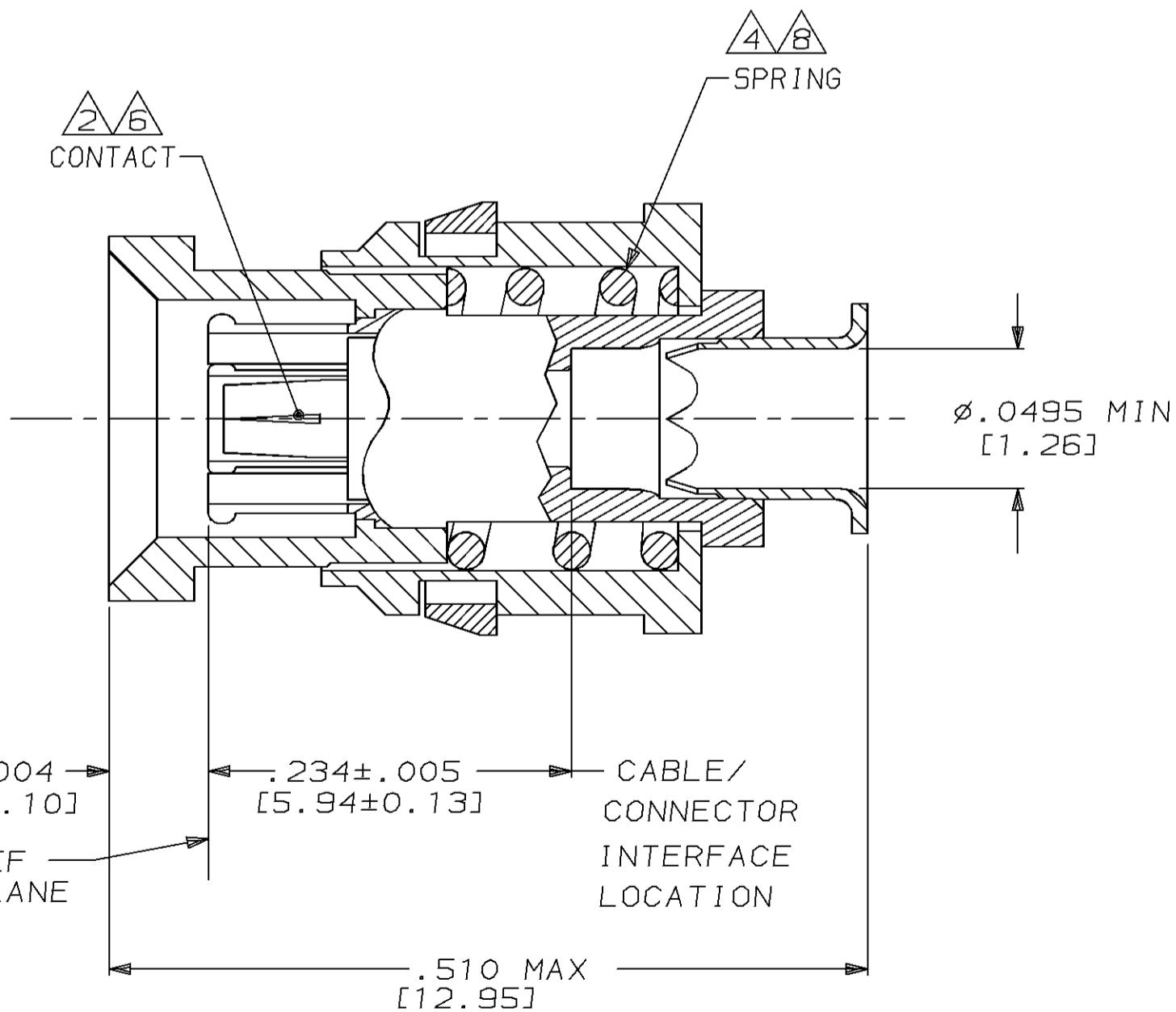
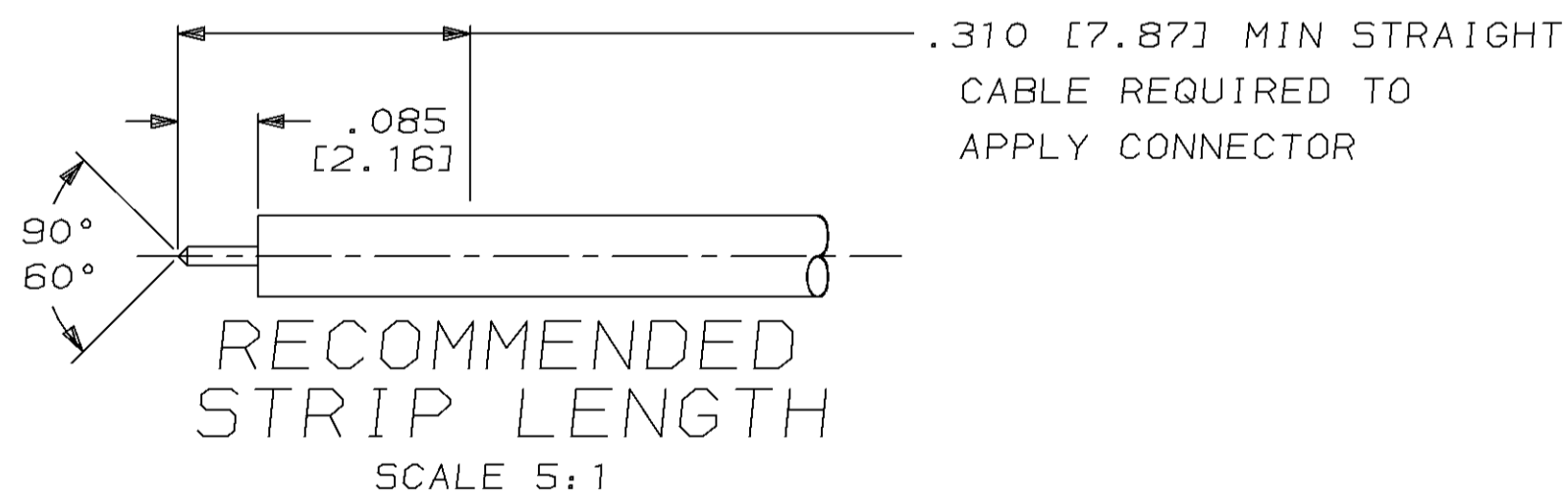
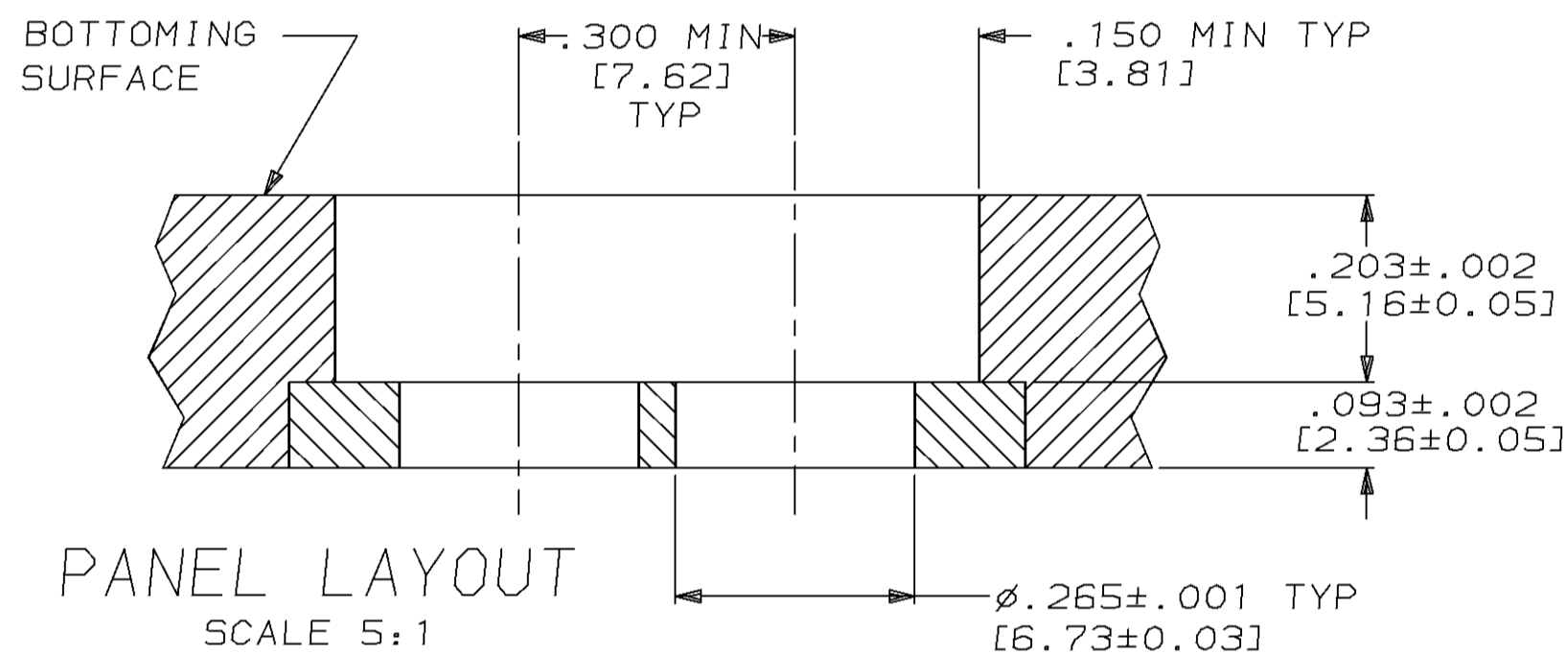


THIS DRAWING IS UNPUBLISHED. RELEASED FOR PUBLICATION
 BY AMP INCORPORATED. ALL RIGHTS RESERVED.

PROD CODE	LOC	DIST	REVISIONS			
P	LTR	DATE	DWN	APVD		
3573	DF	XO	B			
			REVISOR			
			DESCRIPTION			
			DATE			
			DWN			
			APVD			
			CCT		LL	



- ① STAINLESS STEEL PER QQ-S-763
- ② BERYLLIUM COPPER PER QQ-C-530
- ③ PTFE PER MIL-P-19468
- ④ STAINLESS STEEL PER ASTM-A-313.
- ⑤ BRASS PER MIL-C-50
- ⑥ GOLD PL PER MIL-G-45204
- ⑦ NICKEL PL PER QQ-N-290
- ⑧ PASSIVATION PER QQ-P-35
- ⑨ FOR USE WITH .047 [1.19] SEMI-RIGID CABLE
- 10. FLOAT: .006 [0.15] RADIAL. .045 [1.14] AXIAL.



413025-1
PART NO.

THIS DRAWING IS A CONTROLLED DOCUMENT FOR AMP INCORPORATED. IT IS SUBJECT TO CHANGE AND THE CONTROLLING ENGINEERING ORGANIZATION SHOULD BE CONTACTED FOR THE LATEST REVISION.		DWN C.C. THOMAS 2-8-95	AMP AMP Incorporated Harrisburg, PA 17105-3608
		CHK L.L.E. 2-17-95	
DIMENSIONS: INCHES [mm]		APVD L.L.E. 2-17-95	NAME PLUG, FLOATING, BLINDMATE, 2.8mm
TOLERANCES UNLESS OTHERWISE SPECIFIED: 0 PLC ± 1 PLC ± 2 PLC ± 3 PLC ± 4 PLC ± ANGLES ± FINISH SEE TABLE		PRODUCT SPEC - APPLICATION SPEC -	SIZE A2
MATERIAL SEE TABLE		WEIGHT -	CAGE CODE 00779
		CUSTOMER DRAWING	DRAWING NO. C-413025
		SCALE 10:1	SHEET 1 OF 1
			REV B

Mouser Electronics

Authorized Distributor

Click to View Pricing, Inventory, Delivery & Lifecycle Information:

[TE Connectivity:](#)

[413025-1](#)