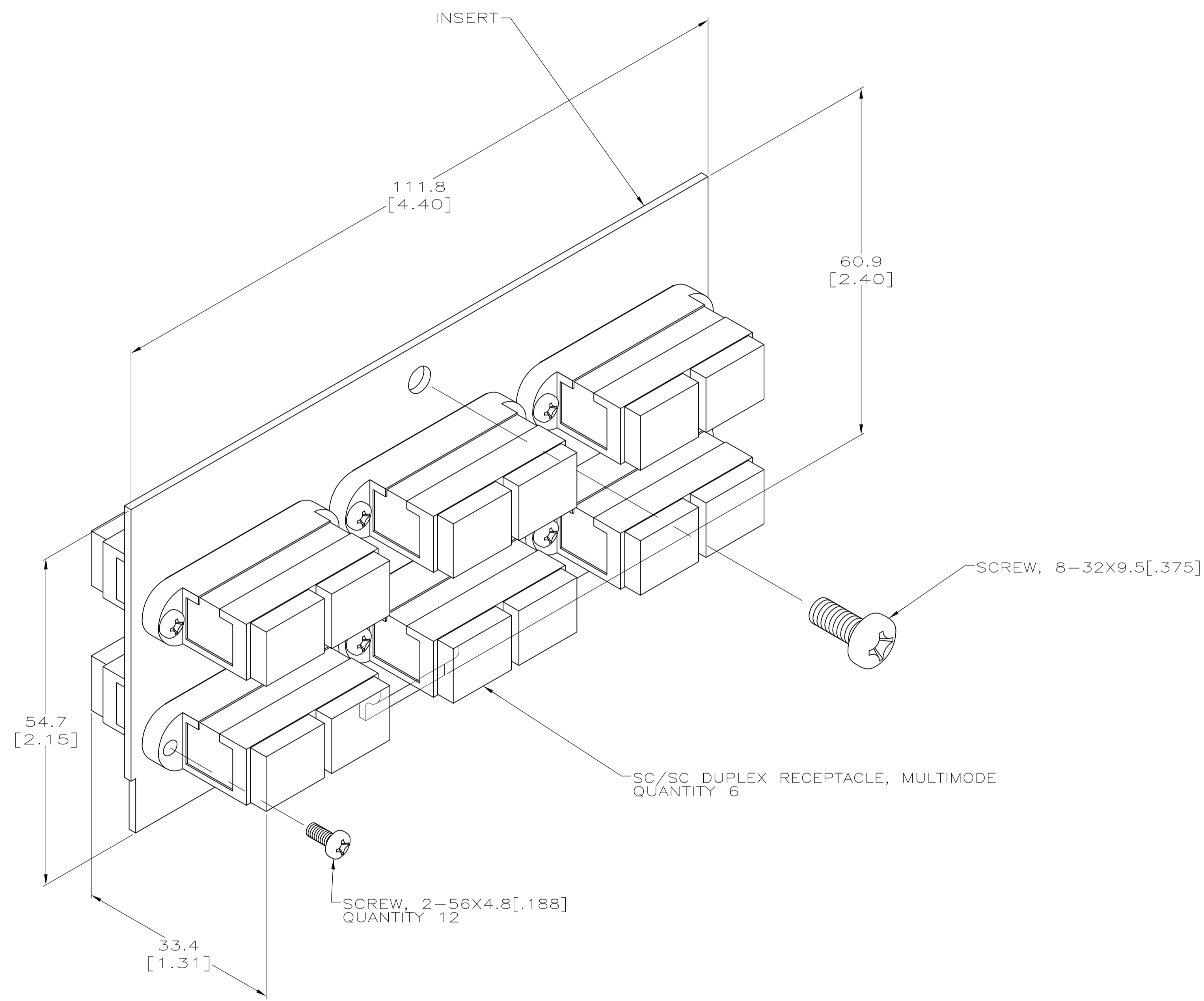


LOC	DIST	REVISIONS				
		REV	DESCRIPTION	DATE	BY	CHK
HM	00	B	ADDED -2 PER 0B40-0303-01	06NOV01	LH	SH
		C	OBS REV-ECO-08-031689	23FEB09	LH	SH
		D	RE-ACT -1, ADD -3, REV ECO-09-008594	07APR09	LH	SH

**1** MATERIAL:  
 INSERT - 1.27±.18[.050±.007] THICK  
 PREGALVANIZED G90 CARBON STEEL.  
 DUPLEX RECEPTACLE HOUSING - NORYL N-190X,  
 LT ALMOND (-1), GREEN (-3).

**2** SCREW, 8-32X9.5[.375], SHIPPED LOOSE.



<b>OBsolete</b>	GREEN SC-SC	406788-3
	SINGLE MODE	406788-2
	MULTI MODE	406788-1
	DESCRIPTION	PART NO.

THIS DRAWING IS A CONTROLLED DOCUMENT.		DWG: L HALL 06NOV2001	Tyco Electronics Corporation Harrisburg, PA 17105-3608	
DIMENSIONS: mm [INCHES]		CHK: L SMITH 06NOV01	APVD: S HERNDON 06NOV01	
TOLERANCES UNLESS OTHERWISE SPECIFIED:		NAME: MODULE ASSEMBLY, SC/SC DUPLEX FIBER, CONSOLIDATION POINT		
0. PLC ± -	1. PLC ± 0.25[.01]	PRODUCT SPEC: -		
2. PLC ± -	3. PLC ± -	APPLICATION SPEC: -		
4. PLC ± -	ANGLES ± -	SIZE: A1		
MATERIAL: -	FINISH: -	WEIGHT: -	CAGE CODE: 00779	DRAWING NO: 406788
CUSTOMER DRAWING		SCALE: 2:1	SHEET: 1 of 1	REV: D

# Mouser Electronics

Authorized Distributor

Click to View Pricing, Inventory, Delivery & Lifecycle Information:

[TE Connectivity Divested:](#)

[406788-1](#)