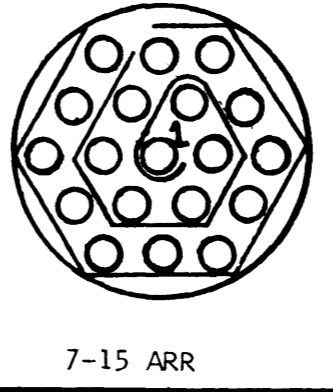
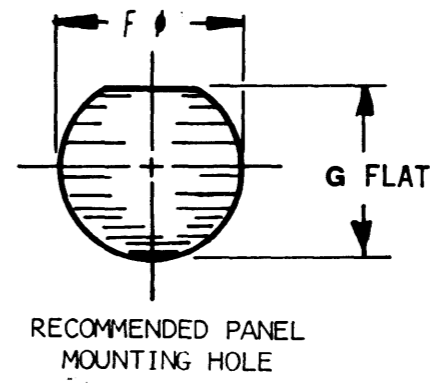
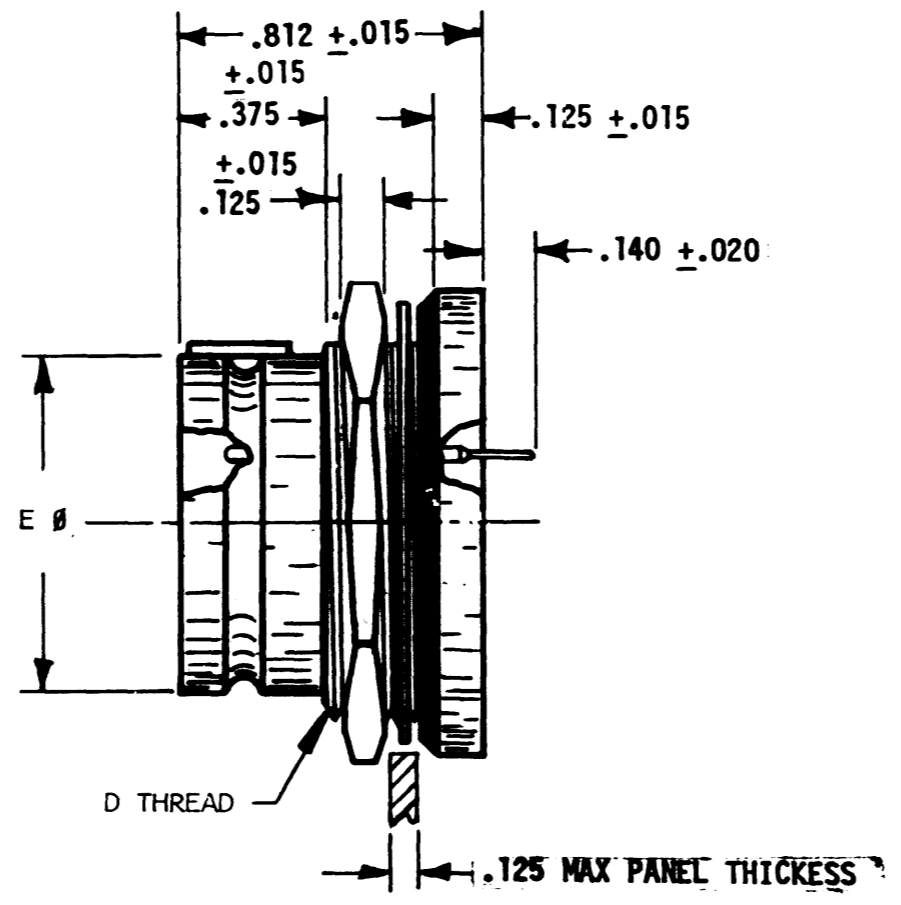
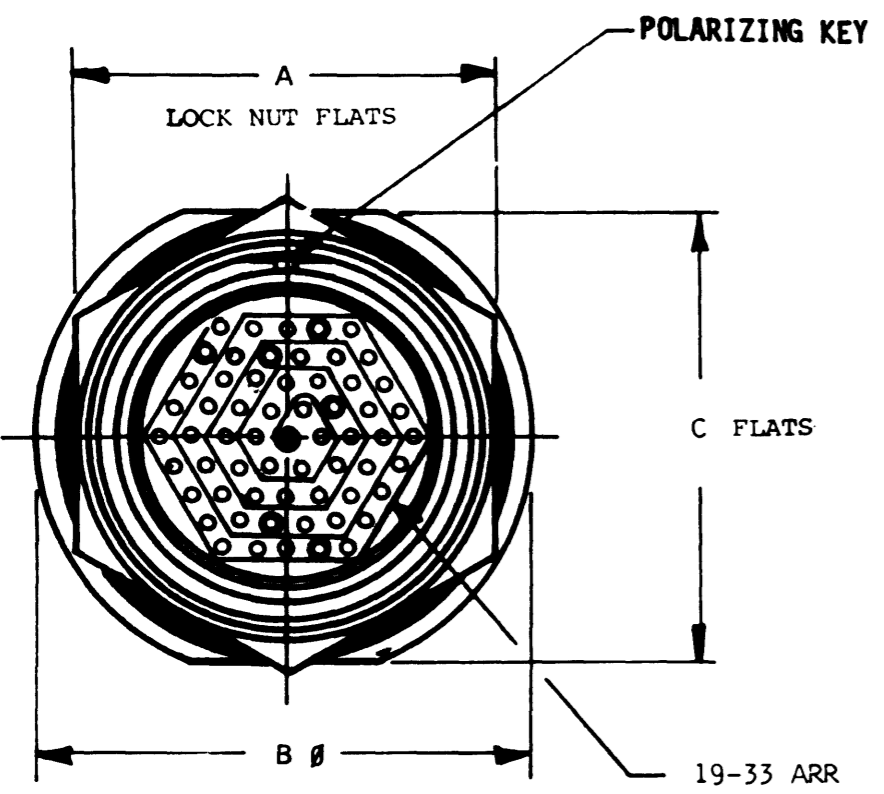


D 36509-...-...p

REVISIONS			
SYM	DESCRIPTION	DATE	APPROVED
N/C	NEW RELEASE PER E.O. A 1088	1-10-84	J. Skanes
A	REVISE PER E.O. A 2439	6-4-84	Edume 6/84
B	REVISE PER E.O. A 2943	11-19-84	L. Stolle
C	REVISE PER E.O. A 09673	5-14-89	R. GROSS
D	REVISED PER E.O. A09776	12-8-89	SP



7. THIS CONNECTOR MATES WITH APPLICABLE DEUTSCH DSM07 AND RSM07 PLUGS.
6. MATERIALS: SHELL - CARBON STEEL
CONTACTS - NICKEL IRON ALLOY
INSERTS - COMPRESSION GLASS, ELASTOMER, PLASTIC
O-RING - SILICONE
5. FINISH: SHELL - TIN OVER NICKEL PLATE
CONTACTS - GOLD OVER NICKEL PLATING ON MATING END:
TIN DIPPING ON REAR OF CONTACTS, REDUCED DIA. ONLY:
(MEETS MIL-T-10727, TYPE II AND MIL-F-14072, M258).
4. FOR AVAILABLE ALTERNATE INSERT POSITIONS, SEE PG. 32500 IN DSM SECTION OF CATALOG.
3. CONTACTS IDENTIFICATION IS SHOWN FOR REFERENCE ONLY AND MAY NOT ACTUALLY APPEAR ON PART AS SHOWN.
2. CONTACT IDENTIFICATION IS IN CONTRASTING COLOR TO INSERTS.
1. ALL DIMENSIONS ARE IN INCHES UNLESS OTHERWISE SPECIFIED.

NOTE:

G ±.010
.682
.989

PART NUMBER	A± .015	B± .015	C± .015	D THREAD	E± .004	F± :008
36509-7-15P	.812	.890	.843	.688-24NEF	.570	.697
36509-19-33P	1.062	1.203	1.156	1.000-20 UNEF	.844	1.010

SIGNATURE & DATE	
DR	JIM GROLL 1-10-84
CHK	35 Skanes 1-12-84
PE	10.2 1/8/84
APPD	
SCALE	WT

RECEPTACLE, CONNECTOR
HERMETIC, SUB-MINIATURE
QUICK-DISCONNECT
JAM NUT MOUNTING
RSM TYPE WITH EXTENDED
REDUCED DIAMETER CONTACTS

ENVELOPE

CP

The Deutsch Company
ELECTRONIC COMPONENTS DIVISION
Municipal Airport
Banning, California

B 36509-...-...p

DWG SIZE CODE 11139 SHEET / OF /

Mouser Electronics

Authorized Distributor

Click to View Pricing, Inventory, Delivery & Lifecycle Information:

[TE Connectivity:](#)

[36509-19-33P](#)