

4

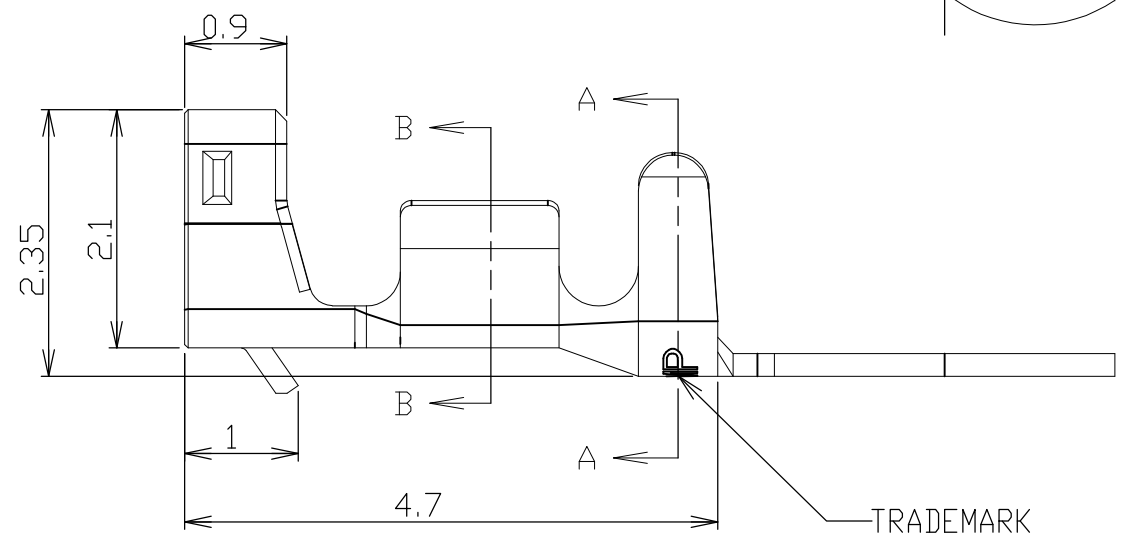
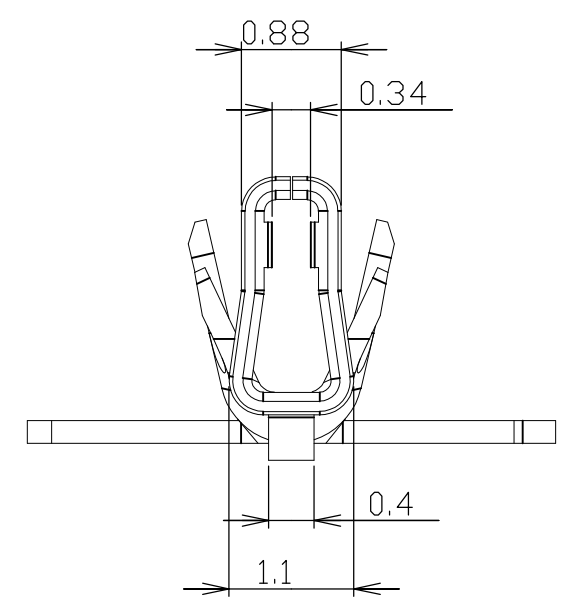
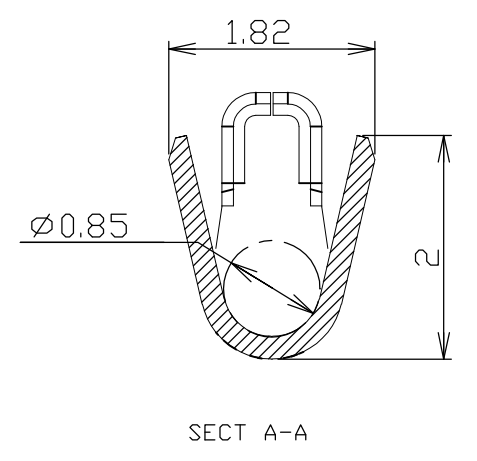
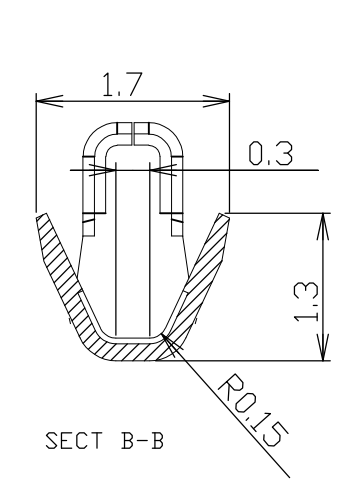
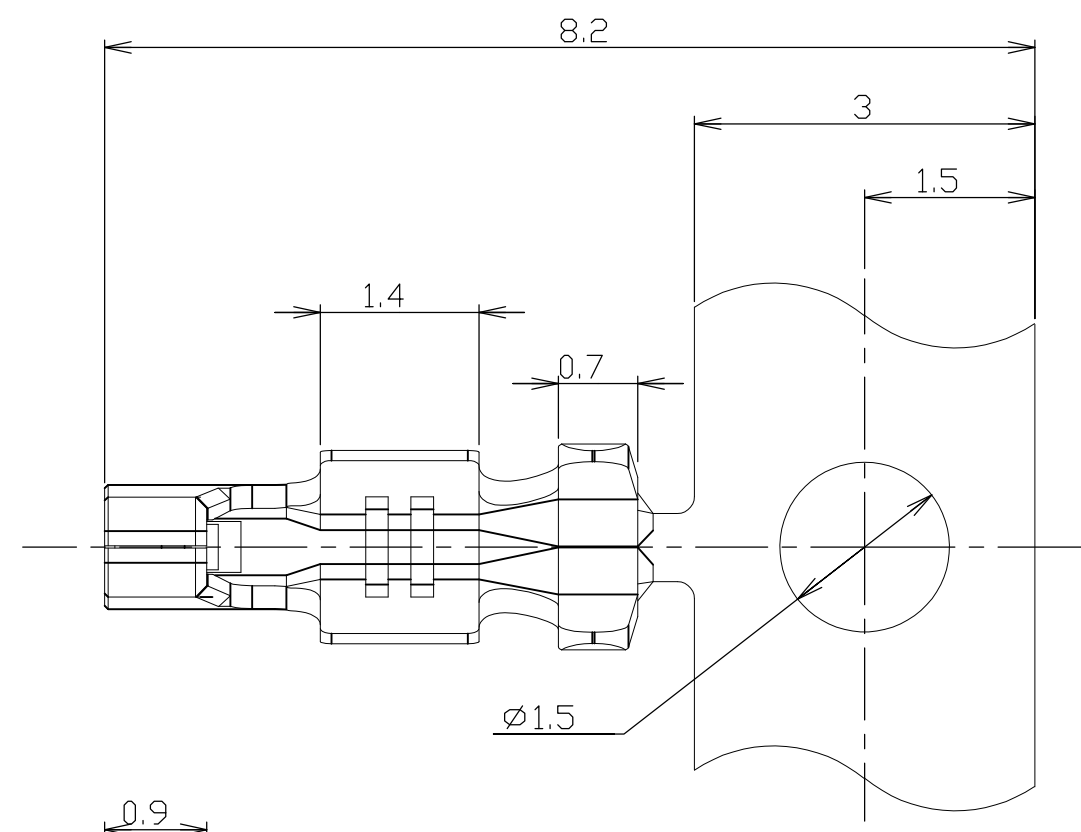
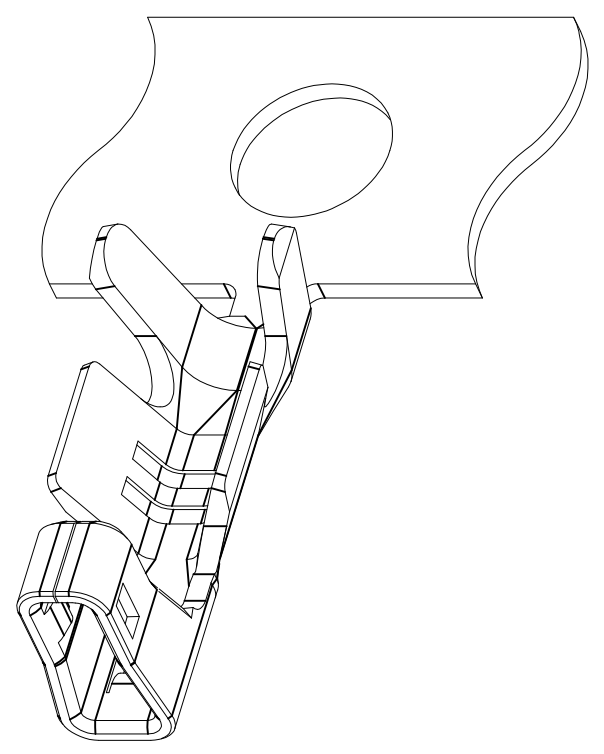
3

2

1

THIS DRAWING IS UNPUBLISHED. RELEASED FOR PUBLICATION
 © COPYRIGHT - By - ALL RIGHTS RESERVED.

LOC	DIST	REVISIONS					
ES	00	P	LTR	DESCRIPTION	DATE	DWN	APVD
		C1		REVISED PER ECO-11-005033	25MAR11	RK	HMR



NOTES:
 1. LOOSE PIECE CONTACT P/N:353918-1
 2. USE WITH HOUSING P/N:X-353908-X

353907-1 AS SHOWN

GENERAL TOLERANCE

$10 \geq$	± 0.2
$30 \geq > 10$	± 0.25
$100 \geq > 30$	± 0.3
ANGLES: $\pm 3^\circ$	

THIS DRAWING IS A CONTROLLED DOCUMENT.

DIMENSIONS: mm	TOLERANCES UNLESS OTHERWISE SPECIFIED:
	0 PLC $\pm -$
	1 PLC $\pm -$
	2 PLC $\pm -$
	3 PLC $\pm -$
	4 PLC $\pm -$
	ANGLES $\pm -$
MATERIAL PHOS-BRONZE, 0.2mm THK	FINISH PRE-TIN

WIRE RANGE 0.22mm ² ~ 0.08mm ² (AWG#24~AWG#28)	INSULATION DIA $\phi 1.05 \sim \phi 0.85$
DWN H.HOSHINO 26.APR'97	TE Connectivity
CHK J.TANIGAWA 26.APR'97	
APVD WL CHOO	NAME AMP MINI COMMON TERMINATED (CT) CONNECTOR 1.5mm PITCH RECEPTACLE CONTACT(AWG#24~#28), CRIMP TYPE
PRODUCT SPEC 108-60025	SIZE A3
APPLICATION SPEC 114-5245	CAGE CODE 00779
WEIGHT 0.02g/ea	DRAWING NO C-353907
CUSTOMER DRAWING	RESTRICTED TO -
SCALE NON	SHEET 1 OF 1
	REV C1

Mouser Electronics

Authorized Distributor

Click to View Pricing, Inventory, Delivery & Lifecycle Information:

[TE Connectivity:](#)

[353907-2](#)