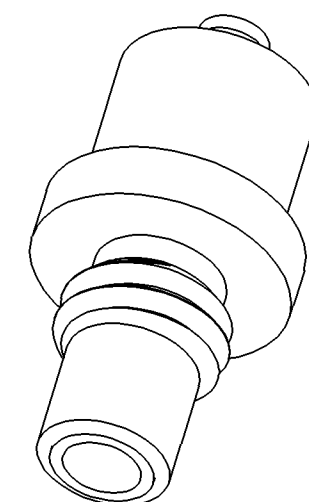
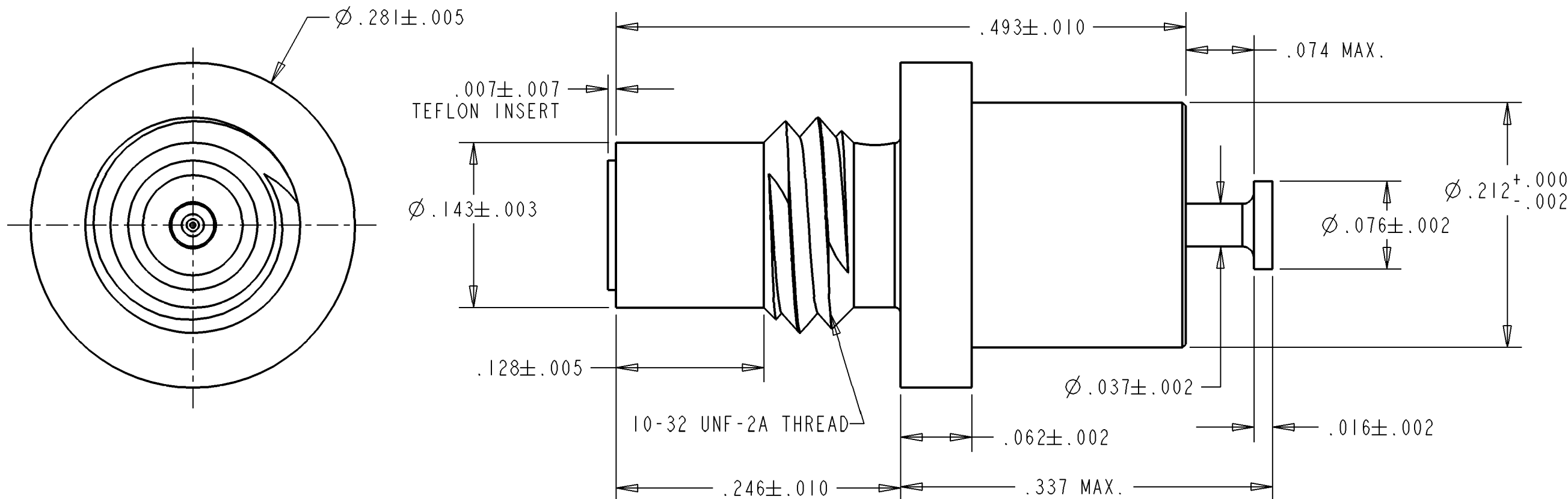


REV	DESCRIPTIONS	DATE	APPROVED
N/C	NEW RELEASE PER E.O.H2275	6-22-98	L.STOLLE
A	REVISED PER E.O.H3770	12/6/02	F.B.
B	REVISED PER E.O.H3932	5-4-04	M.A.



SCALE 5

FILE: 34148-ENV

- DIMENSIONS ARE IN INCHES UNLESS OTHERWISE SPECIFIED.
- MATING DIMENSIONS PER MIL-C-39012, SERIES SMC.
- LEAK RATE:  $1 \times 10^{-9}$  cc/sec He @ 1 atm MIN.
- INSULATION RESISTANCE: >200000 MEGOHMS @ 1000 VDC  
DIELECTRIC WITHSTANDING VOLTAGE: 1000 VAC @ 60 Hz
- MATERIAL:  
SHELL - 304L STAINLESS STEEL  
INSULATOR - GLASS BEAD AND TEFLON INSERT  
CONTACT - 52 HIGH NICKEL-IRON ALLOY
- FINISH:  
SHELL - PASSIVATED  
CONTACT - TIN OVER NICKEL PLATE
- IMPEDANCE: 20-100 OHMS.

NOTE(S):

SIGNATURE & DATE		CONNECTOR, FEED-THRU  R.F., COAXIAL HERMETIC MIL-C-39012 SERIES SMC TYPE  ENVELOPE	CP	MATL CODE 78	
DR	F.BAUTISTA 6-9-98		<b>DEUTSCH</b> ENGINEERED INTERCONNECT SOLUTIONS 250 Eddie Jones Way Oceanside, CA 92054		
CHK	L.STOLLE 6/22/98		<b>B</b> 34148	CAGE CODE 11139	SHEET 1 OF 1
PE	JOHN AGUILERA 6/22/98				
APPD	JOHN AGUILERA 6/22/98				
SCALE: 10:1		DWG SIZE			

# Mouser Electronics

Authorized Distributor

Click to View Pricing, Inventory, Delivery & Lifecycle Information:

[TE Connectivity:](#)

[34148-ZZ](#)