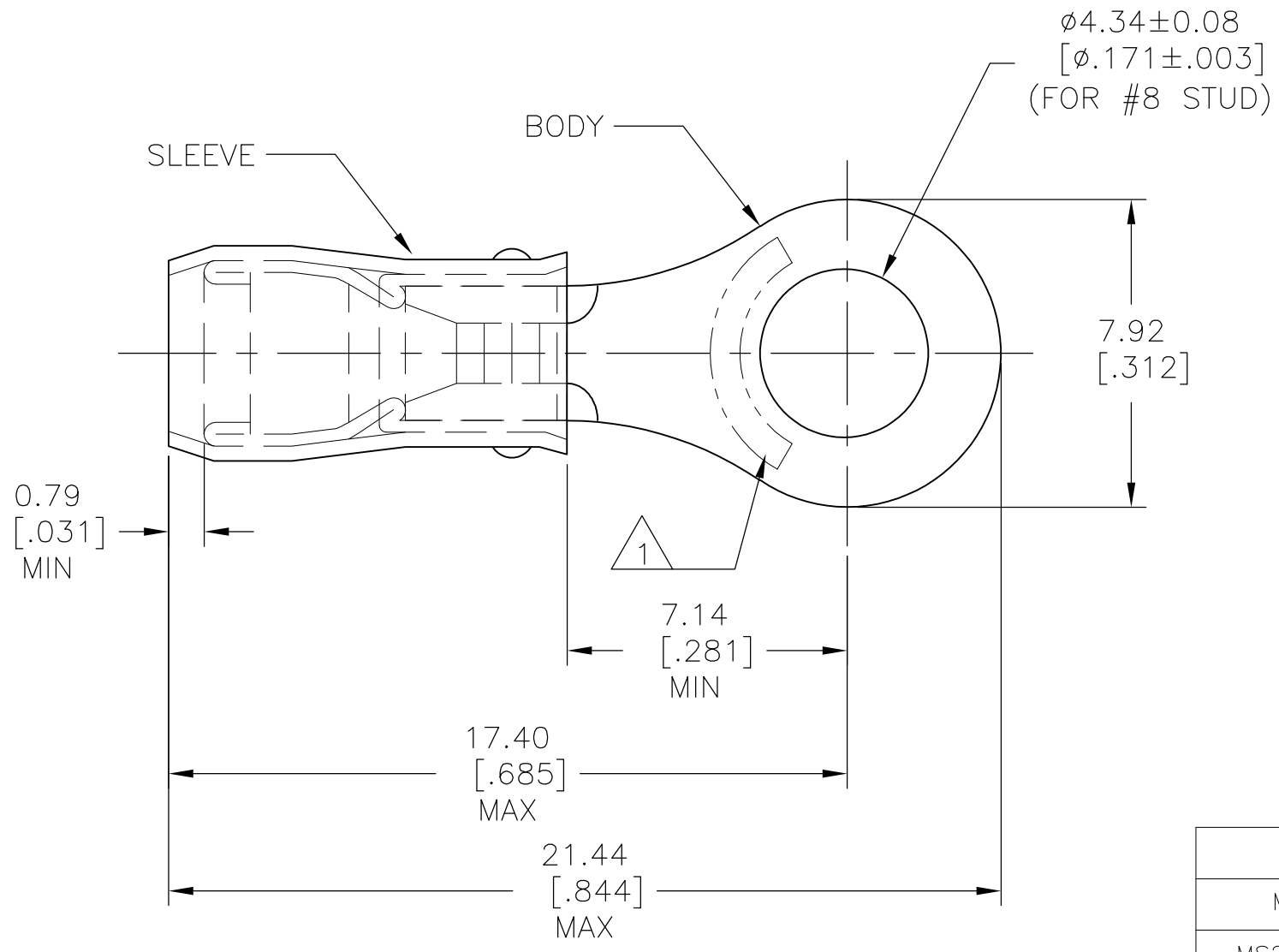



THIS DRAWING IS UNPUBLISHED. RELEASED FOR PUBLICATION
 © COPYRIGHT - By - ALL RIGHTS RESERVED.

| LOC | DIST | REVISIONS | | | | | |
|-----|------|-----------|-----|---------------------------|-----------|-----|------|
| | | P | LTR | DESCRIPTION | DATE | DWN | APVD |
| G | 14 | | AA | REVISED PER ECO-14-015277 | 14FEB2015 | NK | DR |


| | | |
|--------------------------------|--|---|
| AMP WIRE RANGE |  E13288 Listed |  LR7189 Certified |
| 22-16 AWG SOLID OR STRANDED | 22-16 AWG SOLID OR STRANDED | 22-16 AWG SOLID OR STRANDED |



- 1  STAMP AMP 22-18* APPROX AS SHOWN
22-16 TERMINALS ARE STAMPED 22-18 IN
ACCORDANCE WITH MILITARY SPEC MIL-T-7928
COMMERCIAL WIRE RANGE IS 22-16.
- 2 WIRE INSULATION DIA: 2.03-3.18[.080-.125].
- 3 TONGUE MATERIAL THK: 0.79±0.05[.031±.002].

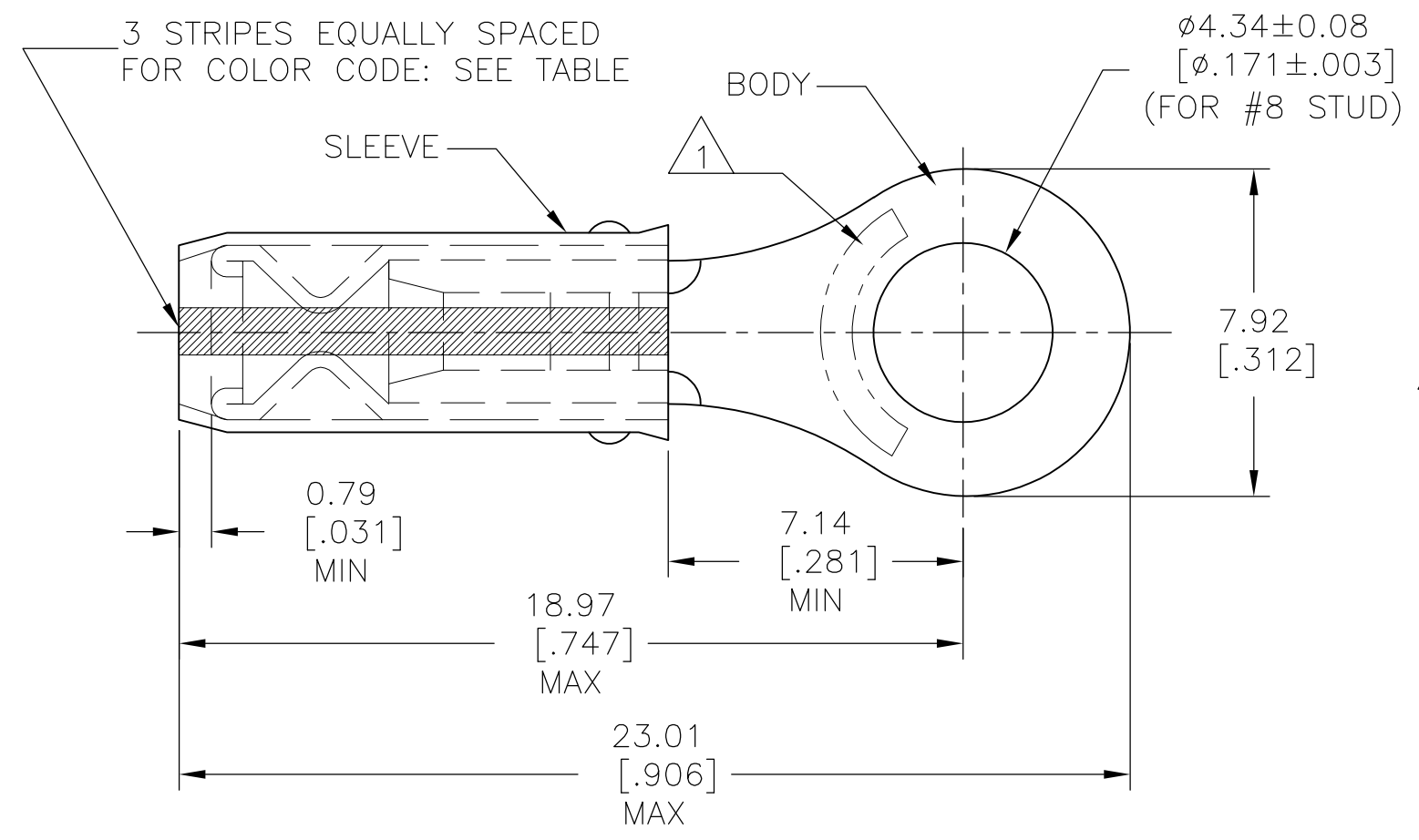
| MILITARY P/N AND CLASS | QUANTITY | PACKAGE TYPE | PART NO |
|-------------------------|----------|------------------|------------|
| - | 100 | LOOSE PIECE, BOX | 6-320551-1 |
| MS25036-149 CLASS 2 | 5000 | ON TAPE, REEL | 1-320551-1 |
| MS25036-149 CLASS 1 & 2 | 1000 | LOOSE PIECE | 320551 |

| | | |
|---|--|--|
| AMP INCORPORATED CUSTOMER SERVICE SYSTEMS | | MAX RECOMMENDED OPERATING TEMPERATURE: 105°C[221°F] |
| FOR ADDITIONAL PRODUCT INFORMATION OR COPIES OF DRAWINGS AND TECHNICAL DOCUMENTS | PRODUCT INFORMATION CENTER 1-800-522-6752 | VOLTAGE RATING: 300 V MAX |
| FOR APPLICATION TOOLING INFORMATION | TOOLING ASSISTANCE CENTER 1-800-722-1111 | CIRCULAR MIL AREA: 0.26-1.65mm ² [509-3,260] CIR MILS SOLID OR STRANDED |
| FOR ORDER ENTRY | 1-800-526-5142 | |

| | | | | |
|--|--|-----------------------------------|---|------------------------|
| THIS DRAWING IS A CONTROLLED DOCUMENT. | | DWN DK SCHRUM 9/8/93 |  TE Connectivity | |
| DIMENSIONS: mm [INCHES] | | CHK RE HERSEY 9/8/93 | | |
| TOLERANCES UNLESS OTHERWISE SPECIFIED: | | APVD ML ELLIS 9/8/93 | NAME TERMINAL, RING TONGUE, PIDG™, WIRE SIZE, 26-16 AWG | |
| 0 PLC ± - 1 PLC ± - 2 PLC ± 0.20[.008] 3 PLC ± - 4 PLC ± - ANGLES ± - | | PRODUCT SPEC UL 486A | SIZE A3 | |
| MATERIAL COPPER PER ASTM B-152 SLEEVE, RED NYLON | | APPLICATION SPEC NOT AVAILABLE | CAGE CODE 00779 | DRAWING NO C-320551 |
| FINISH TIN PLATE PER ASTM B545 | | WEIGHT - | RESTRICTED TO - | |
| CUSTOMER DRAWING | | SCALE NTS | SHEET 1 OF 2 | REV AA |

THIS DRAWING IS UNPUBLISHED. RELEASED FOR PUBLICATION
 © COPYRIGHT - By - ALL RIGHTS RESERVED.

| LOC | DIST | REVISIONS | | | |
|-----|------|-------------|-------------|-----|------|
| P | LTR | DESCRIPTION | DATE | DWN | APVD |
| G | 14 | - | SEE SHEET 1 | - | - |



AMP
WIRE RANGE
SEE TABLE
STRANDED

- 1 STAMP AMP APPROX AS SHOWN SEE TABLE BELOW.
- 2 WIRE INSULATION DIA: 0.97-2.79[.038-.110] FOR 22 AWG
1.17-2.79[.046-.110] FOR 20 AWG
1.42-2.79[.056-.110] FOR 18 AWG.
- 3 TONGUE MATERIAL THK: 0.79±0.05[.031±.002].

OBSOLETE

| | | | | | | |
|---------------------------|-----------------|------------|--------------|----------|------------------|------------|
| - | RED | 20* | 20 | 100 | LOOSE PIECE, BOX | 8-320551-1 |
| - | GREEN | 22* | 22 | 100 | LOOSE PIECE, BOX | 7-320551-1 |
| M7928/1-32 CLASS 2 | WHITE | 18* | 18 | 5000 | ON TAPE, REEL | 1-320551-8 |
| - | RED | 20* | 20 | 5000 | ON TAPE, REEL | 1-320551-7 |
| M7928/1-14 CLASS 2 | GREEN | 22* | 22 | 5000 | ON TAPE, REEL | 1-320551-5 |
| M7928/1-32 CLASS 1 & 2 | WHITE | 18* | 18 | 1000 | LOOSE PIECE | 1-320551-4 |
| M7928/1-23 CLASS 1 & 2 | RED | 20* | 20 | 1000 | LOOSE PIECE | 1-320551-3 |
| M7928/1-14 CLASS 1 & 2 | GREEN | 22* | 22 | 1000 | LOOSE PIECE | 1-320551-2 |
| MILITARY P/N AND CLASS | STRIPE COLOR | 1 STAMPING | WIRE SIZE | QUANTITY | PACKAGE TYPE | PART NO |

AMP INCORPORATED
CUSTOMER SERVICE SYSTEMS

FOR ADDITIONAL PRODUCT INFORMATION OR COPIES OF DRAWINGS AND TECHNICAL DOCUMENTS
 PRODUCT INFORMATION CENTER
1-800-522-6752

FOR APPLICATION TOOLING ASSISTANCE CENTER
 TOOLING INFORMATION
1-800-722-1111

FOR ORDER ENTRY
 1-800-526-5142

MAX RECOMMENDED OPERATING TEMPERATURE:
105°C[221°F]

VOLTAGE RATING: 300 V MAX

| | |
|-------------|-----------------------------|
| WIRE RANGE: | CIRC MIL AREA: |
| 22 | 0.38mm ² [754] |
| 20 | 0.60mm ² [1,186] |
| 18 | 0.96mm ² [1,900] |

STRANDED

THIS DRAWING IS A CONTROLLED DOCUMENT.

DIMENSIONS: mm [INCHES]

TOLERANCES UNLESS OTHERWISE SPECIFIED:

| | |
|--------|--------------|
| 0 PLC | ± - |
| 1 PLC | ± - |
| 2 PLC | ± 0.20[.008] |
| 3 PLC | ± - |
| 4 PLC | ± - |
| ANGLES | ± - |

MATERIAL: COPPER PER ASTM B-152 SLEEVE, RED NYLON

FINISH: TIN PLATE PER ASTM B545

DWN DK SCHRUM 9/8/93
 CHK RE HERSEY 9/8/93
 APVD ML ELLIS 9/8/93

STE TE Connectivity

NAME: TERMINAL, RING TONGUE, I.R., PIDG™ WIRE SIZE, 22-16 AWG

APPLICATION SPEC: NOT AVAILABLE

WEIGHT: -

SIZE: A3 CAGE CODE: 00779 DRAWING NO: C-320551 RESTRICTED TO: -

CUSTOMER DRAWING SCALE: NTS SHEET: 2 OF 2 REV: AA

Mouser Electronics

Authorized Distributor

Click to View Pricing, Inventory, Delivery & Lifecycle Information:

[TE Connectivity:](#)

[6-320551-1](#)