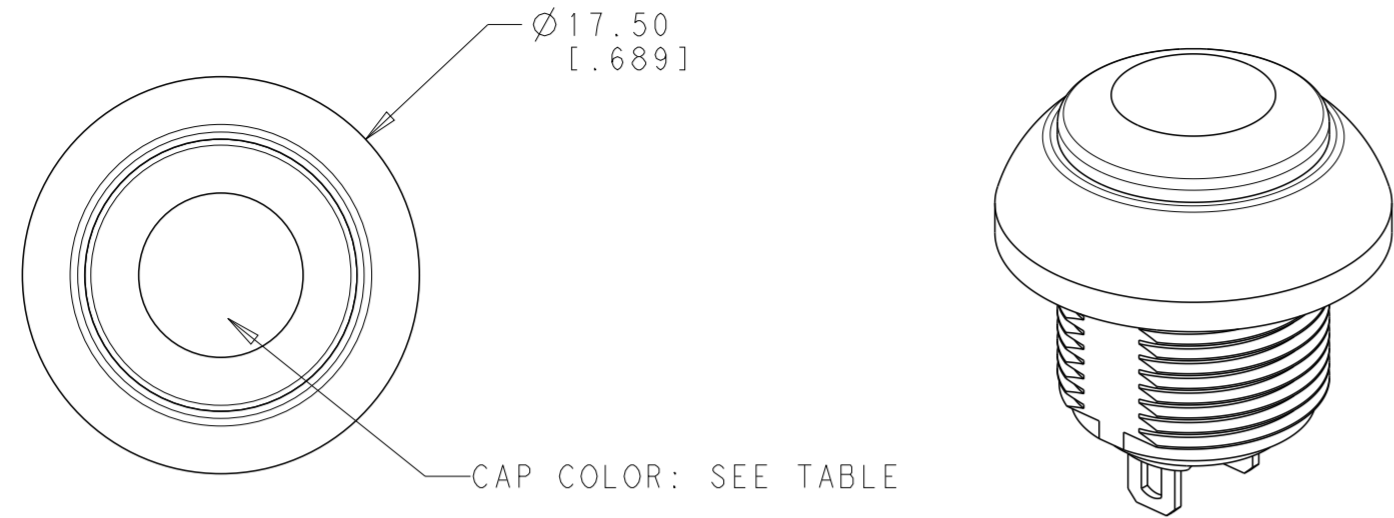


THIS DRAWING IS UNPUBLISHED. RELEASED FOR PUBLICATION
 © COPYRIGHT copyright.d8te- ALL RIGHTS RESERVED.

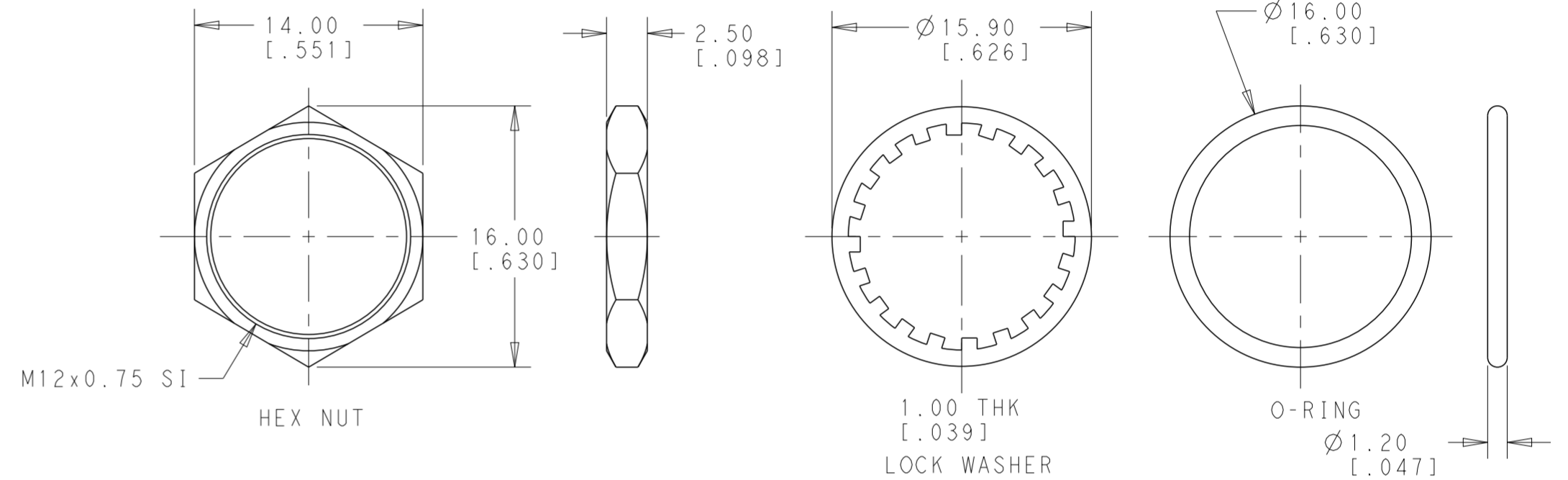
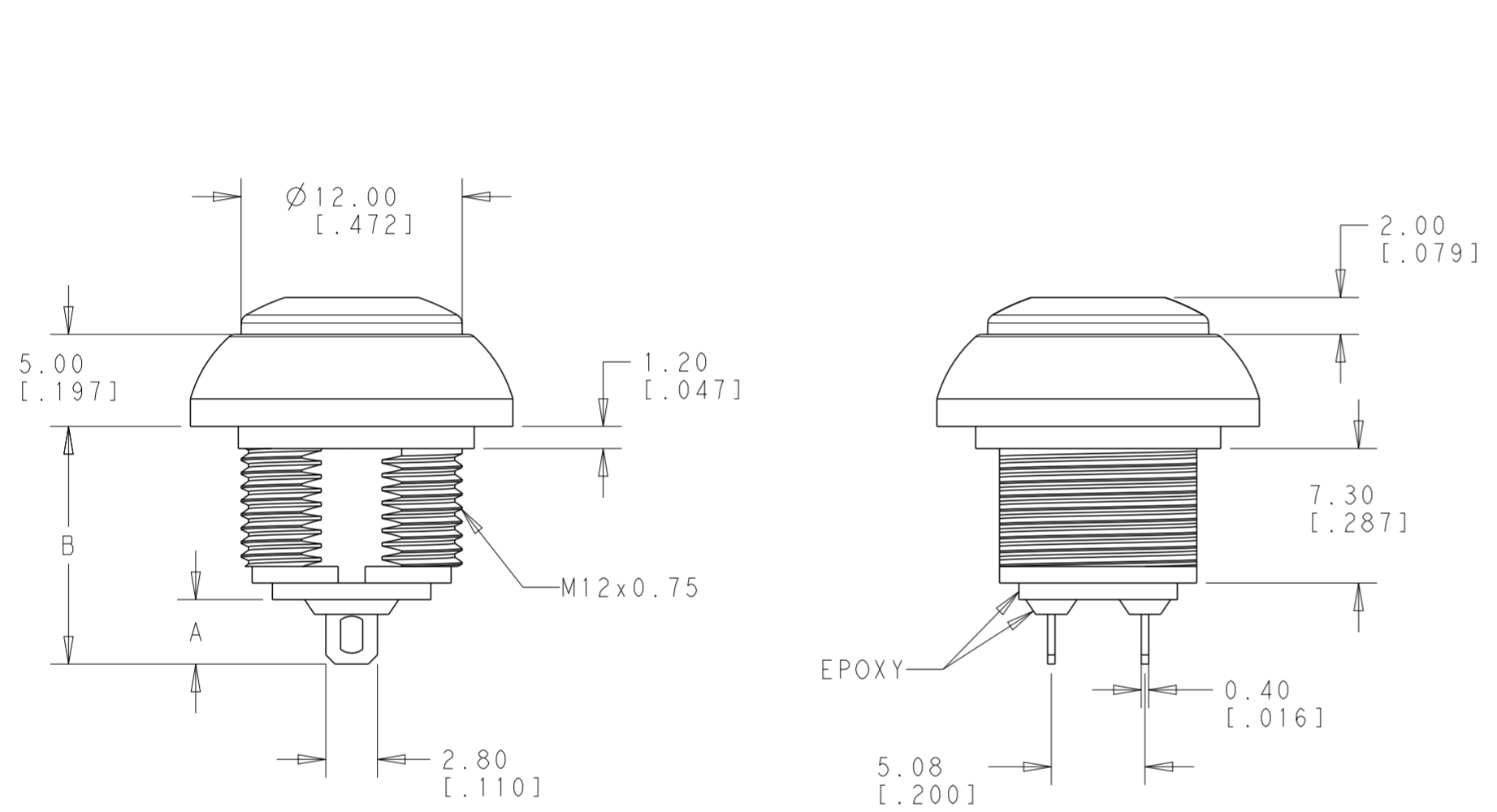
REVISIONS				
P	LTR	DESCRIPTION	DATE	APVD
1		NEW DRAWING	22FEB2018	RS AS



SOLDER TO WIRE
OFF-(ON)

Model No.	POS. 1	POS. 2
PB6	OFF	MOM(ON)
CONNECTED TERMINALS	OPEN	CLOSE
SCHEMATIC		

SWITCH FUNCTION



SPECIFICATIONS:

MAXIMUM CURRENT/VOLTAGE RATING WITH RESISTIVE LOAD:
 400mA 32VAC, 200mA 50VDC, 125mA 125VAC
 INITIAL CONTACT RESISTANCE: 50mΩ MAXIMUM
 INSULATION RESISTANCE: 1 GΩ MINIMUM AT 500 VDC
 DIELECTRIC STRENGTH: 1,500 VAC RMS
 CONTACT BOUNCE: 10ms
 ELECTRICAL LIFE AT FULL LOAD: 500,000 CYCLES
 MECHANICAL LIFE: 1,000,000 CYCLES
 TOTAL TRAVEL: 1.5 (.059)
 ACTUATION FORCE: 3 TO 6N
 OPERATING TEMPERATURE: -30° TO 85° C
 DEGREE OF PROTECTION: IP68, 1 HOUR @ 1 METER
 TORQUE: 0.5N·m MAXIMUM APPLIED TO NUT

MATERIALS:

CAP: POLYAMIDE 6/6
 PLUNGER: POLYAMIDE 6/6 OR POLYCARBONATE
 RUBBER: SILICONE
 BUSHING: POLYAMIDE 6/6
 CASE: DIALLYL PHTHALATE (DAP) (UL94 V-0)
 TERMINALS/CONTACTS: COPPER ALLOY, GOLD OVER SILVER PLATED
 HEX NUT: BRASS, NICKEL PLATED (1)
 LOCK WASHER: BRASS, NICKEL PLATED (1)
 O-RING: SILICONE (1)
 SPRING: STEEL

PACKAGING:

SWITCHES ARE PACKAGED IN TRAYS. HARDWARE IS NOT ASSEMBLED TO THE SWITCH.

COMPLIANCE:

ALL MATERIALS AND FINISHES SHALL COMPLY WITH EU DIRECTIVE 2002/95/EC OF 27JAN2003(RoHS)

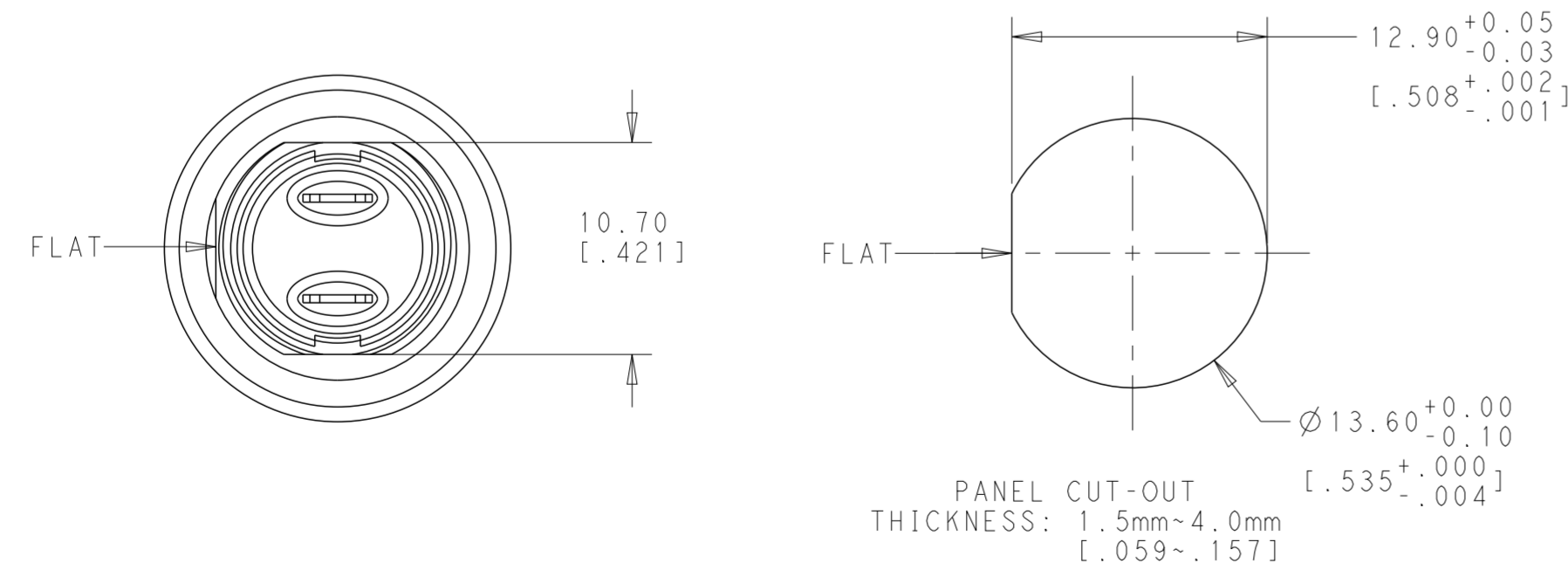
SOLDER PROCESSING:

MANUAL SOLDERING: SOLDER IRON, 30 WATTS, CONTROLLED AT 350° C, APPROXIMATELY 5 SECONDS WHILE APPLYING SOLDER.

WAVE SOLDERING:

260+/-5° C, 5 SECONDS MAXIMUM DURATION, PCB THICKNESS 1.6MM
 110°C MAXIMUM AMBIENT TEMPERATURE OF THE SOLDER SURFACE OF THE PC BOARD.

1. HARDWARE IS SHIPPED UNASSEMBLED.

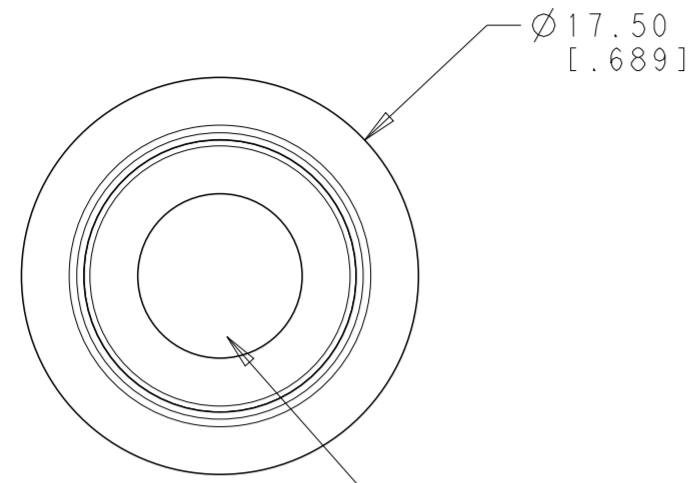


THIS DRAWING IS A CONTROLLED DOCUMENT.		DWN	22FEB2018	STE TE Connectivity
DIMENSIONS: mm[INCHES]		CHK	22FEB2018	
TOLERANCES UNLESS OTHERWISE SPECIFIED:		APVD	22FEB2018	
0 PLC ± 1 PLC ±0.4[.016] 2 PLC ±0.25[.010] 3 PLC ± 4 PLC ± ANGLES ±5° FINISH -		NAME	ALEXANDER SHARPE	
MATERIAL -		PRODUCT SPEC	-	SWITCH, PUSHBUTTON, FLAT CAP NO LED, SOLDER TERMINATION, SEALED, OFF-(ON) AND ON-(OFF)
		APPLICATION SPEC	-	SIZE
		WEIGHT	-	CAGE CODE
		CUSTOMER DRAWING	A200779	DRAWING NO
		SCALE	4:1	RESTRICTED TO
		SHEET	1 OF 4	REV
				1

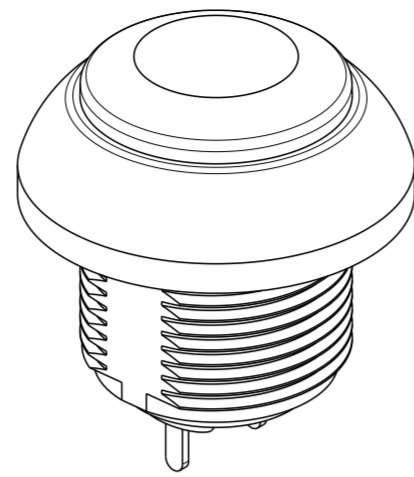
THIS DRAWING IS UNPUBLISHED. RELEASED FOR PUBLICATION
 © COPYRIGHT copyright dbTe ALL RIGHTS RESERVED.

REVISIONS				
P	LTR	DESCRIPTION	DATE	APVD
-	-	SEE SHEET 1	-	-

SOLDER TO PCB
OFF - (ON)

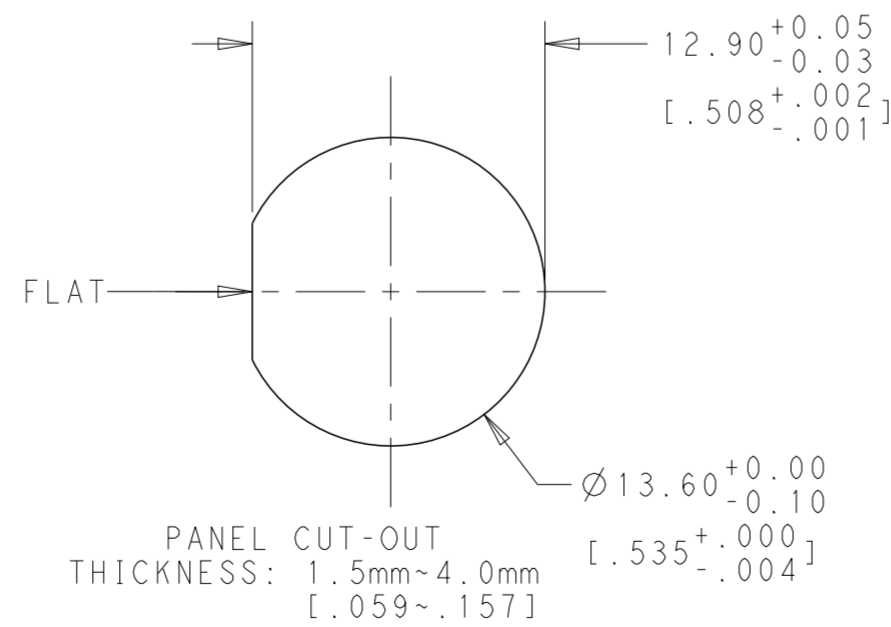
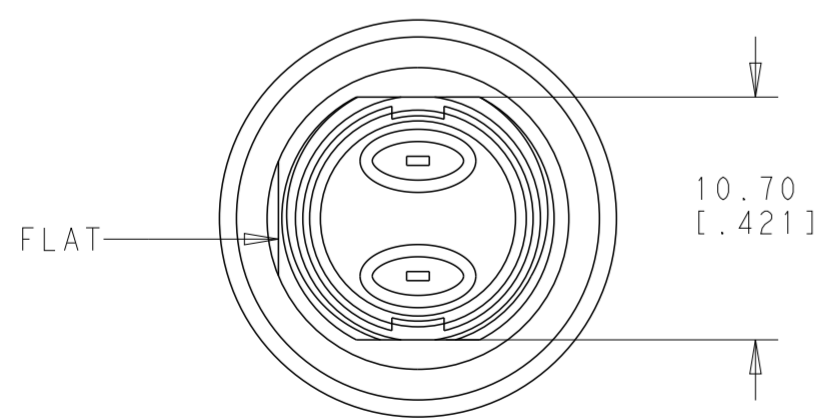
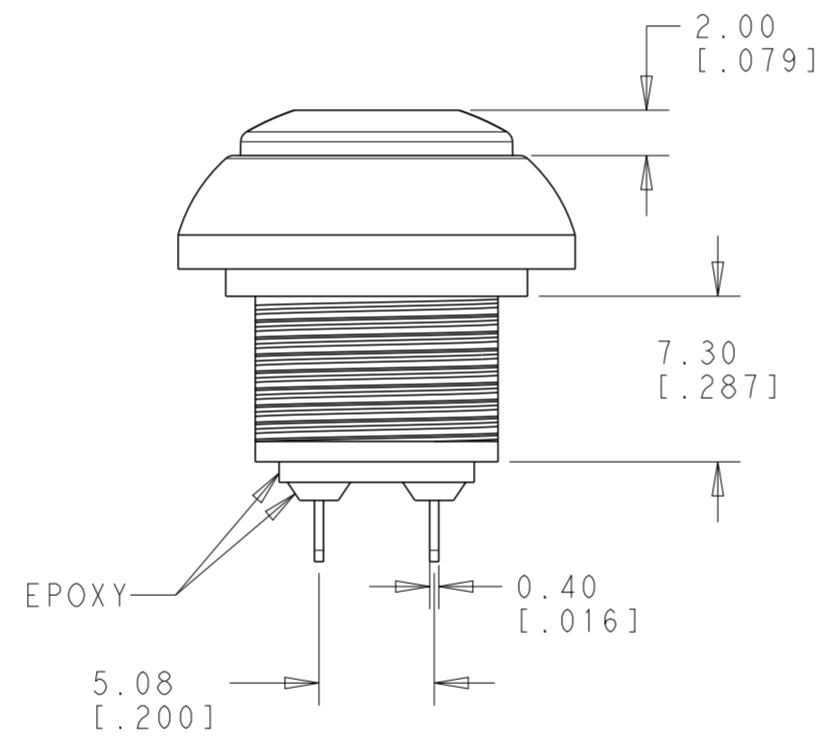
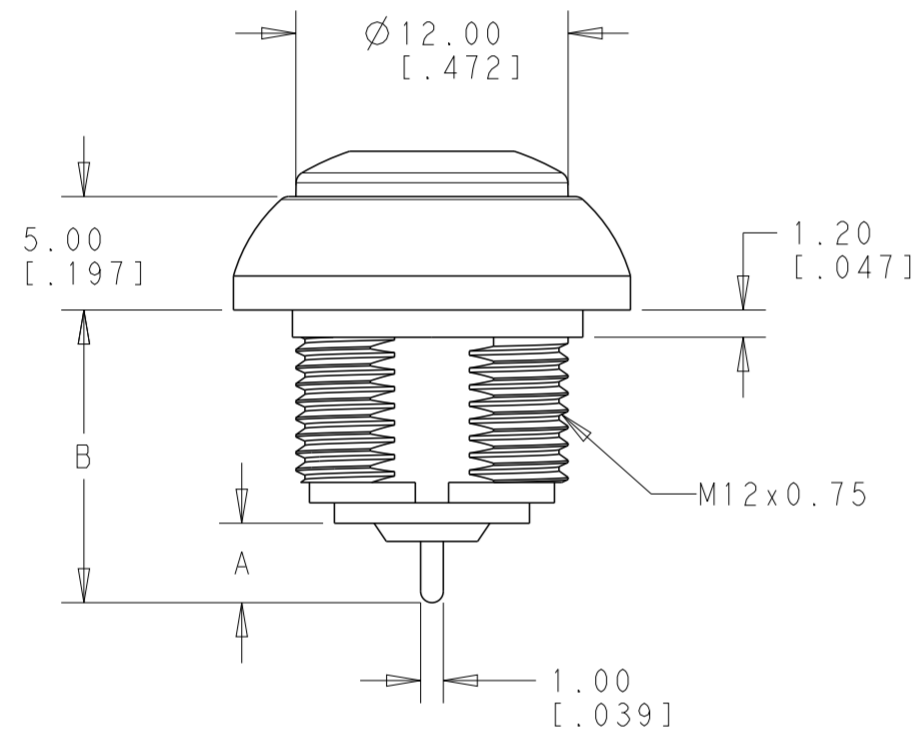


CAP COLOR: SEE TABLE



Model No.	POS. 1	POS. 2
PB6	OFF	MOM (ON)
CONNECTED TERMINALS	OPEN	CLOSE
SCHEMATIC		

SWITCH FUNCTION

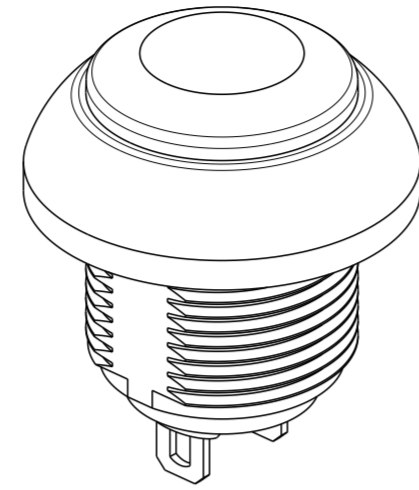
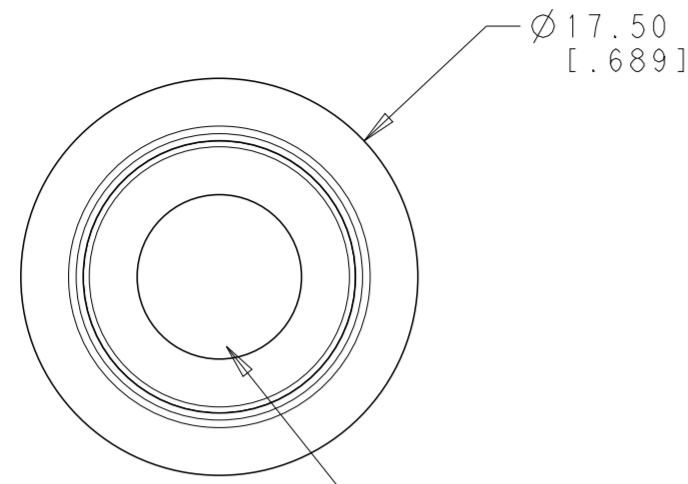


THIS DRAWING IS A CONTROLLED DOCUMENT.		DWN RAVLS 22FEB2018	TE Connectivity	
DIMENSIONS: mm [INCHES]		CHK ALEXANDER SHARPE 22FEB2018		
TOLERANCES UNLESS OTHERWISE SPECIFIED:		APVD ALEXANDER SHARPE 22FEB2018	NAME SWITCH, PUSHBUTTON, FLAT CAP NO LED, SOLDER TERMINATION, SEALED, OFF-(ON) AND ON-(OFF)	
0 PLC ±		PRODUCT SPEC	SIZE	
1 PLC ±0.4 [0.016]		APPLICATION SPEC	CAGE CODE	
2 PLC ±0.25 [0.010]		WEIGHT	DRAWING NO	
3 PLC ±		CUSTOMER DRAWING	A200779	
4 PLC ±		SCALE 4:1	SHEET 2 OF 4	
ANGLES ±5°		REV 1		
FINISH				

THIS DRAWING IS UNPUBLISHED. RELEASED FOR PUBLICATION
 © COPYRIGHT copyright.d8te- ALL RIGHTS RESERVED.

REVISIONS				
P	LTR	DESCRIPTION	DATE	APVD
-	-	SEE SHEET 1	-	-

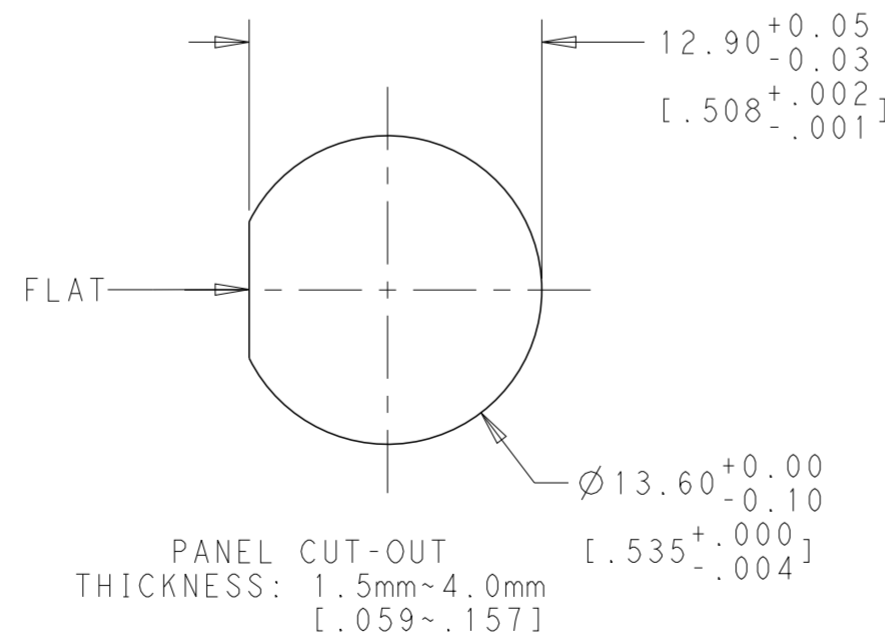
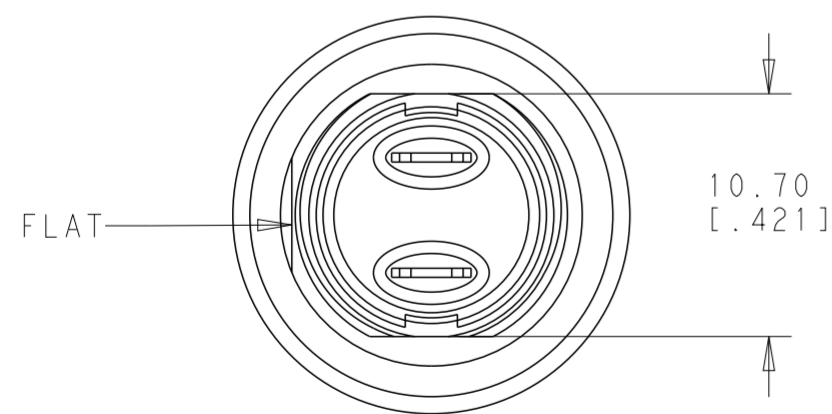
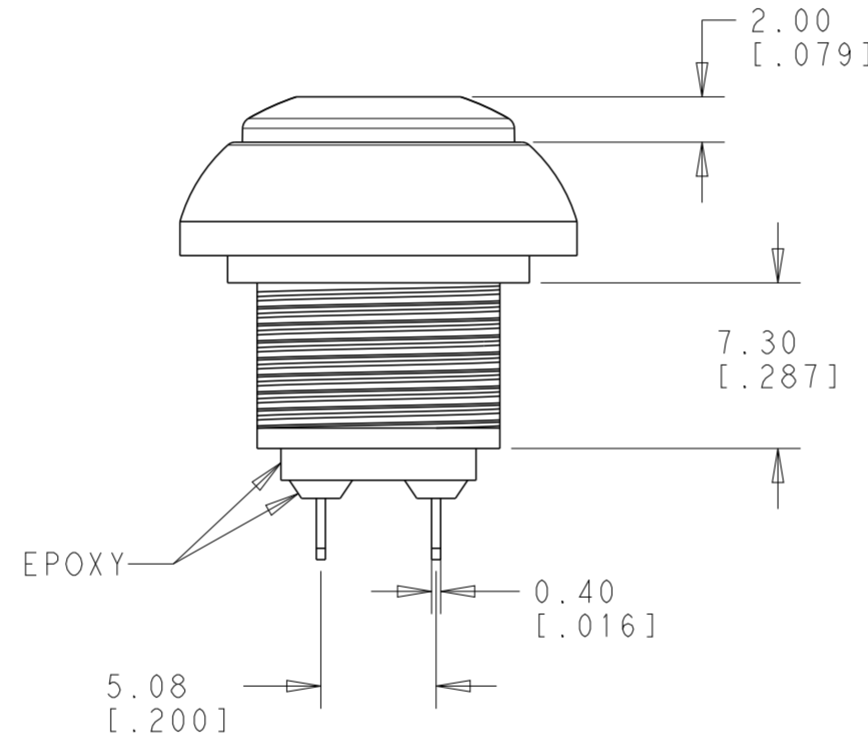
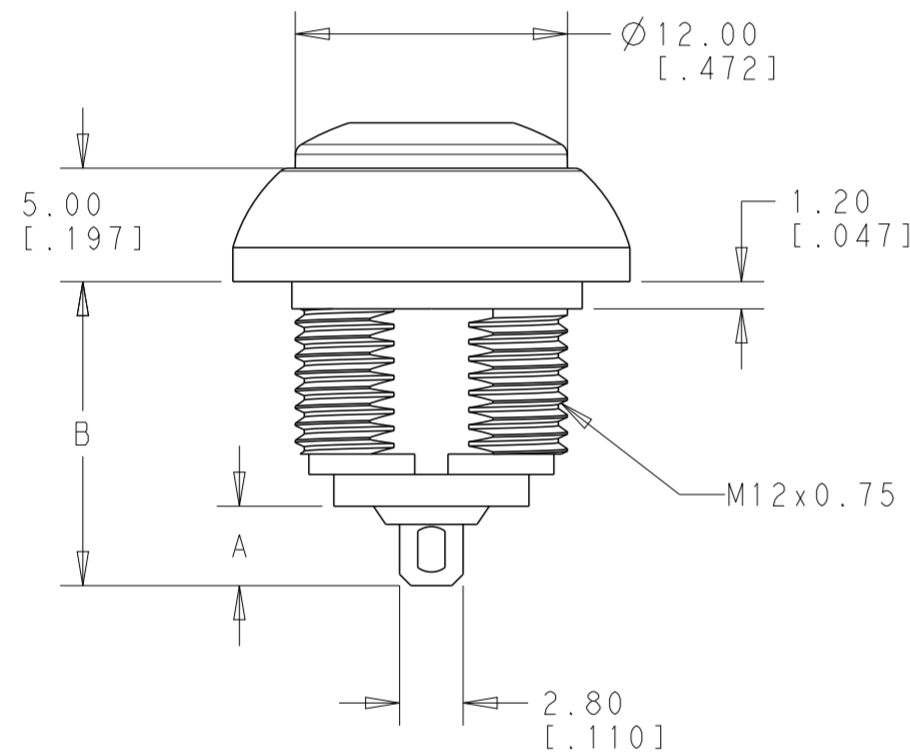
SOLDER TO WIRE
ON-(OFF)



CAP COLOR: SEE TABLE

Model No.	POS. 1	POS. 2
PB7	ON	MOM(OFF)
CONNECTED TERMINALS	CLOSE	OPEN
SCHEMATIC		

SWITCH FUNCTION



THIS DRAWING IS A CONTROLLED DOCUMENT.		DWN RAVLS 22FEB2018	TE Connectivity	
DIMENSIONS: mm [INCHES]		CHK ALEXANDER SHARPE 22FEB2018		
TOLERANCES UNLESS OTHERWISE SPECIFIED:		APVD ALEXANDER SHARPE 22FEB2018	NAME SWITCH, PUSHBUTTON, FLAT CAP NO LED, SOLDER TERMINATION, SEALED, OFF-(ON) AND ON-(OFF)	
0 PLC ± 1 PLC ±0.4 [.016] 2 PLC ±0.25 [.010] 3 PLC ± 4 PLC ± ANGLES ±5° FINISH		PRODUCT SPEC -	SIZE A200779	DRAWING NO C-2329383
MATERIAL -		APPLICATION SPEC -	RESTRICTED TO	
		WEIGHT -	SCALE 4:1	SHEET 3 OF 4
		CUSTOMER DRAWING	REV 1	

THIS DRAWING IS UNPUBLISHED. RELEASED FOR PUBLICATION
 © COPYRIGHT copyright.dBTe ALL RIGHTS RESERVED.

REVISIONS				
P	LTR	DESCRIPTION	DATE	APVD
-	-	SEE SHEET 1	-	-

POLE	THROW	DIMENSION B	DIMENSION A, TERMINAL TYPE	CAP TYPE & COLOR	LED COLOR	TE DESCRIPTIVE PART NUMBER	PART NUMBER
SINGLE POLE	ON-(OFF) MOMENTARY	13.40 [.527]	3.40 [.134] SOLDER LUG (TO WIRE)	FLAT, MATTE BLUE FLAT, MATTE GREEN FLAT, MATTE YELLOW FLAT, MATTE RED FLAT, MATTE BLACK	N/A N/A N/A N/A N/A	PB7B2FM7M1CAL00 PB7B2FM6M1CAL00 PB7B2FM5M1CAL00 PB7B2FM3M1CAL00 PB7B2FM2M1CAL00	2-2329383-5 2-2329383-4 2-2329383-3 2-2329383-2 2-2329383-1
	OFF-(ON) MOMENTARY	12.90 [.508]	3.50 [.138] SOLDER POST (TO PCB)	FLAT, MATTE BLUE	N/A	PB6B2FM7M4CAL00	2-2329383-0
FLAT, MATTE GREEN				N/A	PB6B2FM6M4CAL00	1-2329383-9	
FLAT, MATTE YELLOW				N/A	PB6B2FM5M4CAL00	1-2329383-8	
FLAT, MATTE RED				N/A	PB6B2FM3M4CAL00	1-2329383-7	
17.60 [.693]		8.20 [.323] SOLDER LUG (TO WIRE)	FLAT, MATTE BLUE	N/A	PB6B2FM7M3CAL00	1-2329383-5	
			FLAT, MATTE GREEN	N/A	PB6B2FM6M3CAL00	1-2329383-4	
			FLAT, MATTE YELLOW	N/A	PB6B2FM5M3CAL00	1-2329383-3	
			FLAT, MATTE RED	N/A	PB6B2FM3M3CAL00	1-2329383-2	
14.90 [.587]		5.50 [.217] SOLDER LUG (TO WIRE)	FLAT, MATTE BLACK	N/A	PB6B2FM2M3CAL00	1-2329383-1	
			FLAT, MATTE BLUE	N/A	PB6B2FM7M2CAL00	1-2329383-0	
			FLAT, MATTE GREEN	N/A	PB6B2FM6M2CAL00	2329383-9	
			FLAT, MATTE YELLOW	N/A	PB6B2FM5M2CAL00	2329383-8	
12.90 [.508]		3.50 [.138] SOLDER LUG (TO WIRE)	FLAT, MATTE RED	N/A	PB6B2FM3M2CAL00	2329383-7	
			FLAT, MATTE BLACK	N/A	PB6B2FM2M2CAL00	2329383-6	
			FLAT, MATTE BLUE	N/A	PB6B2FM7M1CAL00	2329383-5	
			FLAT, MATTE GREEN	N/A	PB6B2FM6M1CAL00	2329383-4	
				FLAT, MATTE YELLOW	N/A	PB6B2FM5M1CAL00	2329383-3
				FLAT, MATTE RED	N/A	PB6B2FM3M1CAL00	2329383-2
				FLAT, MATTE BLACK	N/A	PB6B2FM2M1CAL00	2329383-1

THIS DRAWING IS A CONTROLLED DOCUMENT.

DWN: RAVI.S 22FEB2018
 CHK: ALEXANDER SHARPE 22FEB2018
 APVD: ALEXANDER SHARPE 22FEB2018

STE TE Connectivity

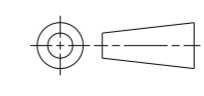
NAME: SWITCH, PUSHBUTTON, FLAT CAP NO LED, SOLDER TERMINATION, SEALED, OFF-(ON) AND ON-(OFF)

SIZE: A2 CAGE CODE: 00779 DRAWING NO: C-2329383

SCALE: 4:1 SHEET: 4 OF 4 REV: 1

CUSTOMER DRAWING

DIMENSIONS:	TOLERANCES UNLESS OTHERWISE SPECIFIED:
mm [INCHES]	
0 PLC	±
1 PLC	±0.4 [.016]
2 PLC	±0.25 [.010]
3 PLC	±
4 PLC	±
ANGLES	±5°
FINISH	



Mouser Electronics

Authorized Distributor

Click to View Pricing, Inventory, Delivery & Lifecycle Information:

TE Connectivity:

[PB6B2FM2M1CAL00](#) [PB6B2FM2M3CAL00](#) [PB6B2FM5M3CAL00](#) [PB6B2FM5M2CAL00](#) [PB7B2FM2M1CAL00](#)
[PB6B2FM6M1CAL00](#) [PB6B2FM7M3CAL00](#) [PB6B2FM7M4CAL00](#) [PB6B2FM6M2CAL00](#) [PB6B2FM6M3CAL00](#)
[PB6B2FM7M1CAL00](#) [PB6B2FM6M4CAL00](#) [PB7B2FM3M1CAL00](#) [PB7B2FM5M1CAL00](#) [PB6B2FM7M2CAL00](#)
[PB7B2FM6M1CAL00](#) [PB7B2FM7M1CAL00](#) [PB6B2FM3M3CAL00](#) [PB6B2FM5M1CAL00](#) [PB6B2FM2M4CAL00](#)
[PB6B2FM3M1CAL00](#) [PB6B2FM3M2CAL00](#) [PB6B2FM2M2CAL00](#) [PB6B2FM3M4CAL00](#) [PB6B2FM5M4CAL00](#)