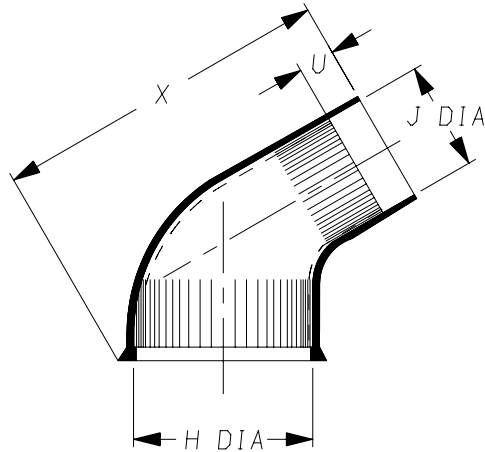
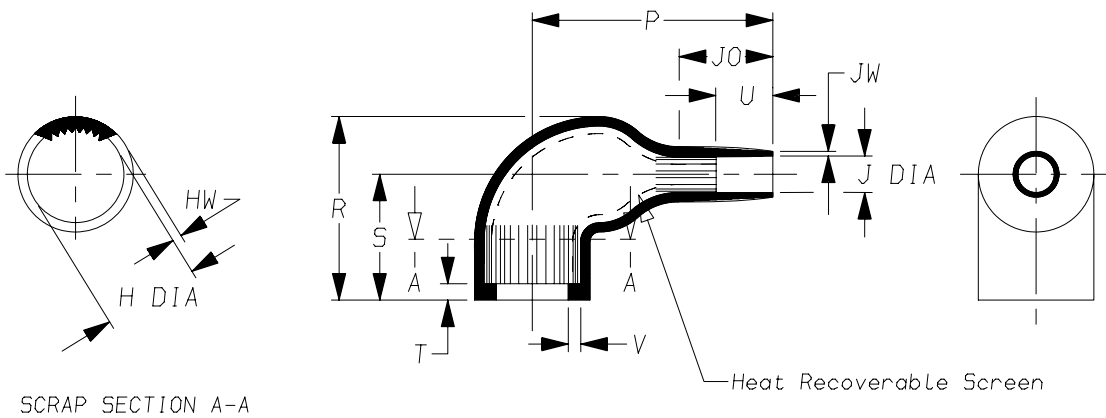


a) Part as supplied.



222S1\*\*-\*S  
Screened Moulded Parts

b) Part after unrestricted recovery.



SCRAP SECTION A-A

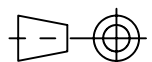
**DIMENSIONS** in millimetres  
(in inches, for reference)

Part No.	H		J		P Ref	R ±10% Ref	S Ref	T Ref	U		V Ref	JO Ref	X ±5% Ref	HW		JW ±30% Ref
	Min a	Max b	Min a	Max b					Min a	±20% b				±30% b	±30% b	
222S121	20 {0.79}	10.4 {0.41}	11 {0.43}	5.0 {0.20}	30 {1.18}	25 {0.98}	19 {0.75}	3.0 {0.12}	5.0 {0.20}	10 {0.39}	1.0 {0.04}	15 {0.59}	45 {1.77}	1.5 {0.06}	1.0 {0.04}	
222S132	24 {0.94}	14.2 {0.56}	15 {0.59}	6.0 {0.24}	38 {1.50}	28 {1.10}	20 {0.79}	3.0 {0.12}	5.0 {0.20}	10 {0.39}	1.0 {0.04}	17 {0.67}	54 {2.13}	1.5 {0.06}	1.0 {0.04}	
222S142	31 {1.22}	18.0 {0.71}	18 {0.71}	7.2 {0.28}	42 {1.65}	31 {1.22}	21 {0.83}	3.0 {0.12}	6.0 {0.24}	10 {0.39}	1.0 {0.04}	18 {0.71}	63 {2.48}	2.0 {0.08}	1.0 {0.04}	
222S152	36 {1.42}	22.4 {0.88}	22 {0.87}	8.5 {0.33}	51 {2.01}	38 {1.50}	26 {1.02}	3.0 {0.12}	7.0 {0.28}	12 {0.47}	1.0 {0.04}	20 {0.79}	70 {2.76}	2.0 {0.08}	1.0 {0.04}	
222S163	43 {1.69}	28.2 {1.11}	26 {1.02}	10.0 {0.39}	67 {2.64}	45 {1.77}	30 {1.18}	3.0 {0.12}	12 {0.47}	20 {0.79}	1.7 {0.07}	28 {1.10}	90 {3.54}	2.2 {0.09}	1.5 {0.06}	
222S174	47 {1.85}	35.1 {1.38}	36 {1.42}	15.8 {0.62}	80 {3.15}	54 {2.13}	36 {1.42}	3.0 {0.12}	12 {0.47}	20 {0.79}	1.7 {0.07}	31 {1.22}	112 {4.41}	3.0 {0.12}	1.5 {0.06}	

**Copyright (!)**

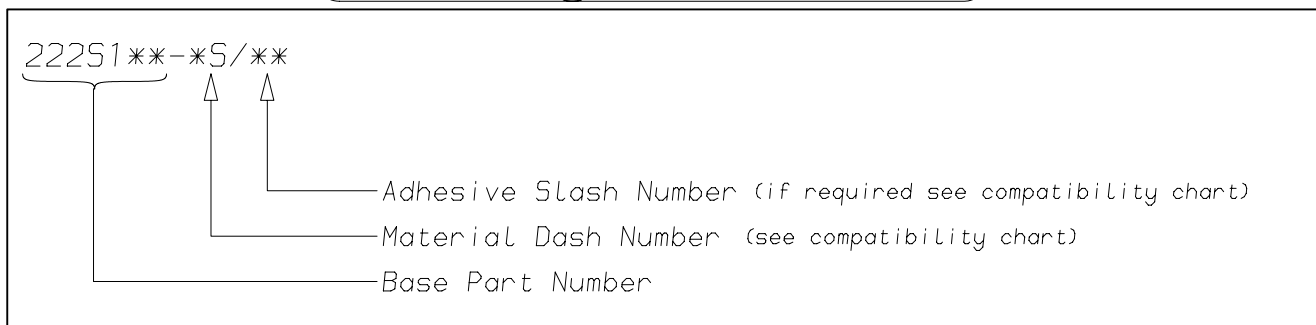
The copyright in this drawing is the property of Tyco Electronics UK Ltd. The drawing is issued on the condition that it is not copied, reproduced or disclosed to a third party, either in whole or in part without the prior written consent of Tyco Electronics UK Ltd.

Drawn A.LILLEY. Checked Issue 6 Date November 2007 Conforms to ISO Recommendations  
3rd Angle Projection  
Not to Scale  
Approval Design MKTG. Tech.



<b>Raychem</b>		<b>Specification Control Drawing</b>	Part Number <b>222S1**-*S</b> Issue 6
Iss.	Date	E.C.R. No.	Details of Change
6	November 2007	CR06-HM-012	Imperial dimensions added

### (Ordering Information)



### (COMPATIBILITY CHART)

Material Dash Number	Material Description	SPEC Number	Coating Slash Number
-35	POLYOLEFIN/COPPER COMPOSITE	RW-2076	/86
-255	ELASTOMER/COPPER COMPOSITE	RW-2077	/86

#### NOTES

- ① As supplied dimensions are for uncoated parts, when coating is added entry diameters will reduce by 1.5mm Max.
- ② For method of measuring recovered diameter, see appropriate RW specification (SPEC Number), section 2.2,

Tyco Electronics UK Ltd. Faraday Road, Swindon, Wiltshire, SN3 5HH England Telephone: (01793) 528171 Fax: 572516	Tyco Electronics Corporation 300, Constitution Drive, Menlo Park, CA 94025 USA Telephone (650) 361-3860 Fax: (650) 361-5579
Cage Code K1010	Cage Code 06090

# Mouser Electronics

Authorized Distributor

Click to View Pricing, Inventory, Delivery & Lifecycle Information:

[TE Connectivity:](#)

[222S132-25S-0](#)