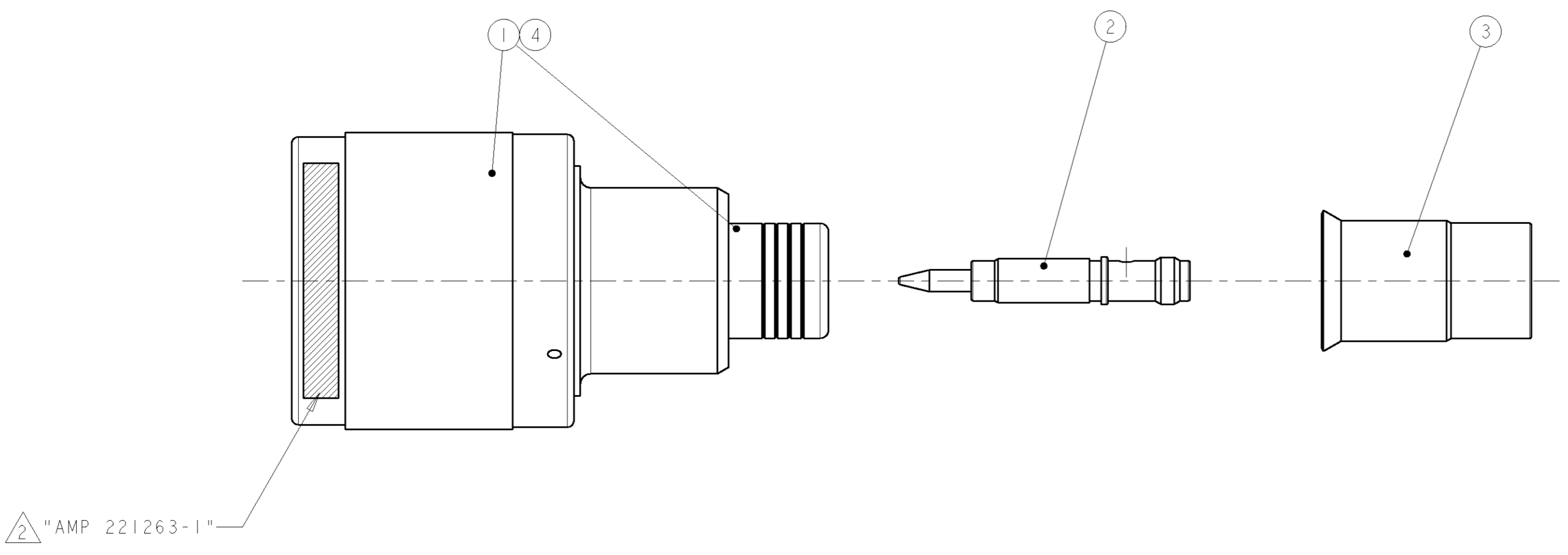


THIS DRAWING IS UNPUBLISHED. RELEASED FOR PUBLICATION 20  
 © COPYRIGHT 20 BY TYCO ELECTRONICS CORPORATION. ALL RIGHTS RESERVED.

LOC	DIST	REVISIONS					
F	00	P	LTR	DESCRIPTION	DATE	DWN	APVD
		-	-				

- |  |  |
|--|--|
| <p>1 FOR USE WITH : FILOTEX MFCKN CABLE</p> <p>2 STEEL MARK " AMP" LOGO AND PART NUMBER , CHARACTER HEIGHT 1.2±0.4 ON ITEM 1 .</p> <p>3 PARTS PACKAGED UNASSEMBLED</p> | <p>POUR CABLE FILOTEX MFCKN</p> <p>MARQUAGE EN CREUX DE LA REFERENCE ET DU LOGO AMP, HAUTEUR CARACTERES 1.2±0.4</p> <p>PIECES LIVREES EN KIT, NON ASSEMBLEES .</p> |
|--|--|



QTY PER ASS'Y	DESCRIPTION	ITEM
1	GASKET	4
1	FERRULE	3
1	CONTACT	2
1	PLUG SUB ASS'Y	1
221263-1	PLUG ASS'Y	

<small>THIS DRAWING IS A CONTROLLED DOCUMENT FOR TYCO ELECTRONICS CORPORATION IT IS SUBJECT TO CHANGE AND THE CONTROLLING ENGINEERING ORGANIZATION SHOULD BE CONTACTED FOR THE LATEST REVISION.</small>		DWN JJ. DESPREZ 21 JUN 2005 CHK T. CORRIOL 21 JUN 2005 APVD Y. PETRONIN 21 JUN 2005	<b>tyco</b> <b>Electronics</b>	TYCO ELECTRONICS France SAS BP 30039, 95301 CERGY-PONTOISE Cedex
DIMENSIONS: mm	TOLERANCES UNLESS OTHERWISE SPECIFIED: 0 PLC ±0.30 1 PLC ±0.30 2 PLC ±0.30 3 PLC ± 4 PLC ± ANGLES ±3 FINISH	PRODUCT SPEC - APPLICATION SPEC - WEIGHT -	NAME CONNECTOR, COAXIAL RF, PLUG, SERIES HN	
MATERIAL		CUSTOMER DRAWING	SIZE A2 CAGE CODE - DRAWING NO. G-221263	RESTRICTED TO - SCALE 3:1 SHEET 1 OF 1 REV A

# Mouser Electronics

Authorized Distributor

Click to View Pricing, Inventory, Delivery & Lifecycle Information:

[TE Connectivity:](#)

[221263-1](#)