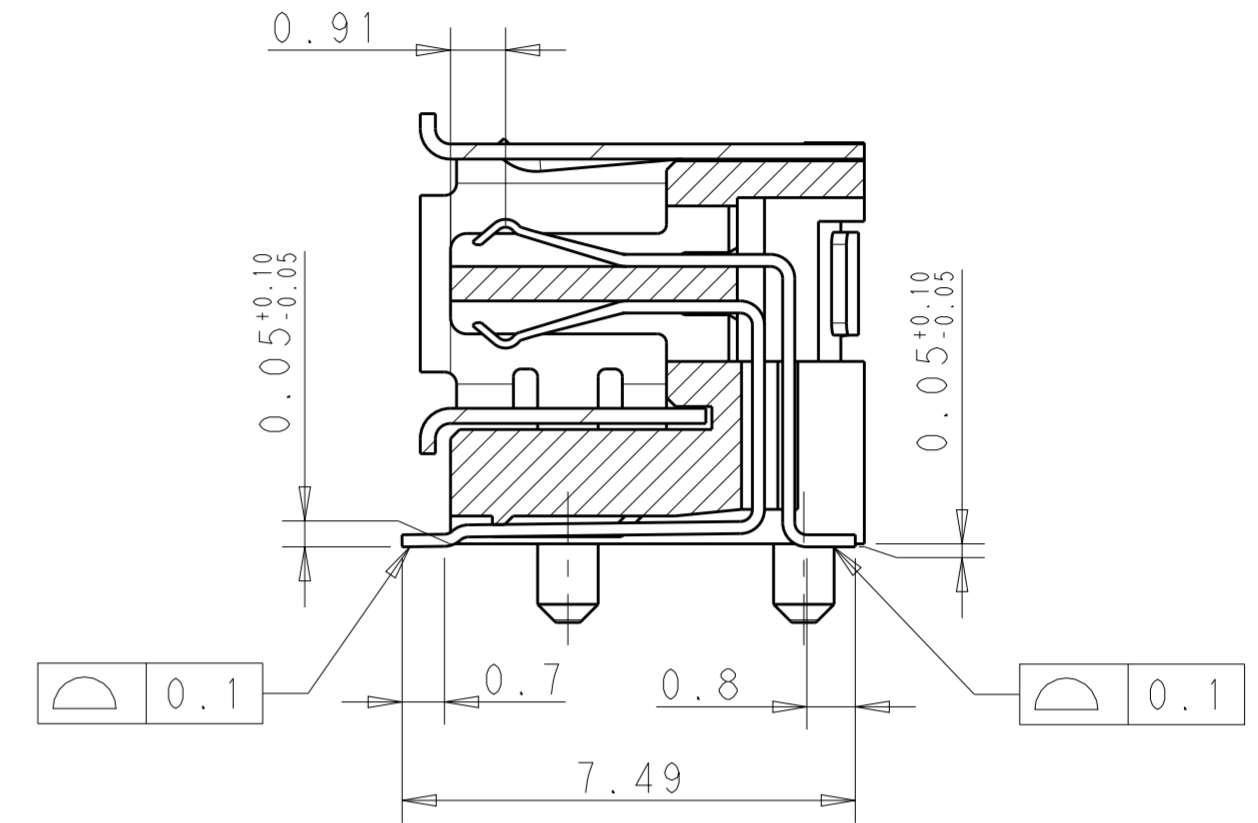
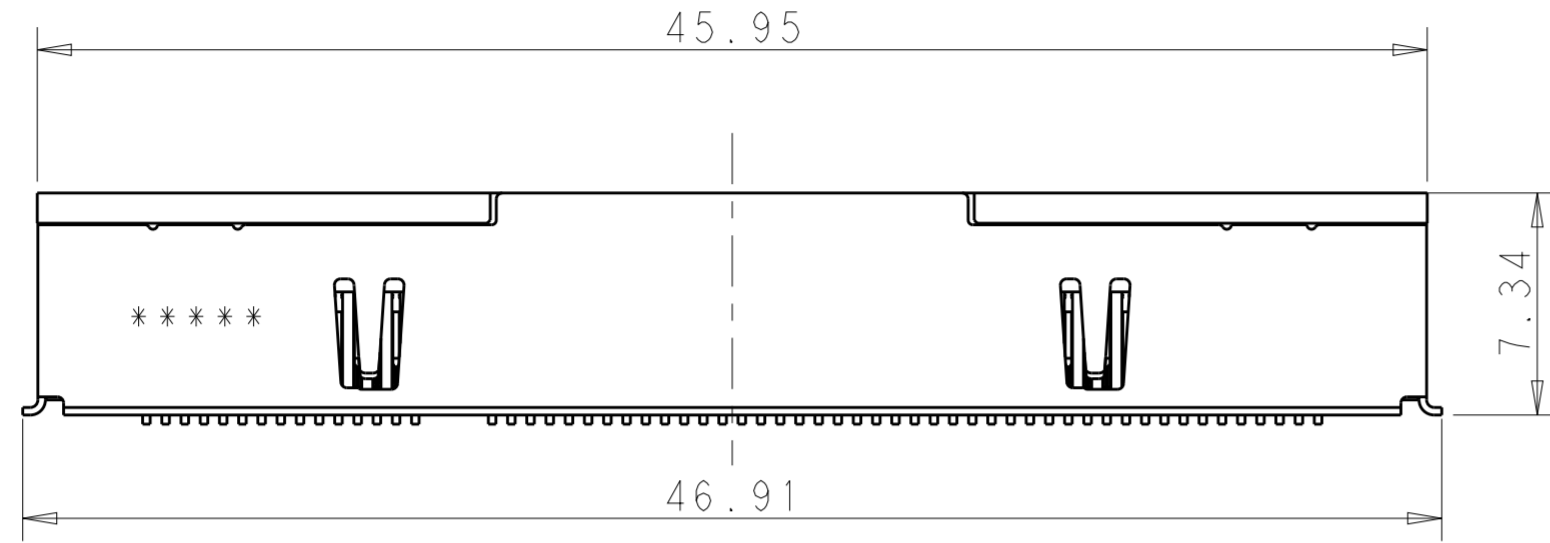


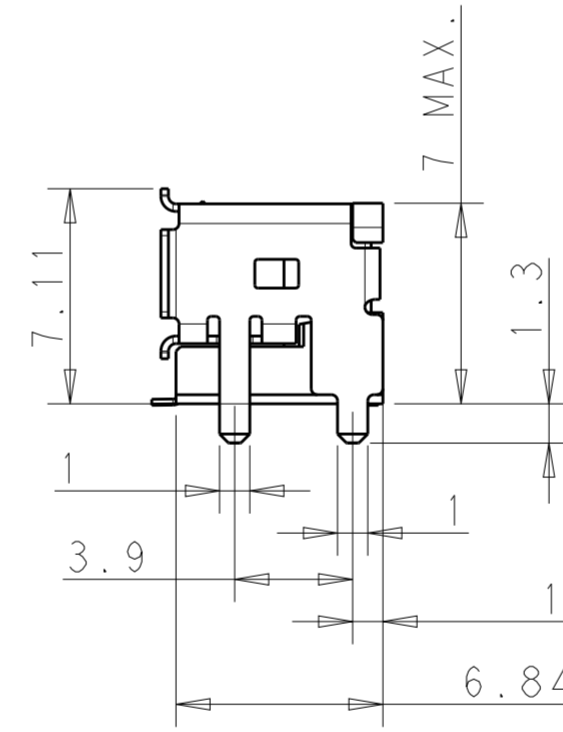
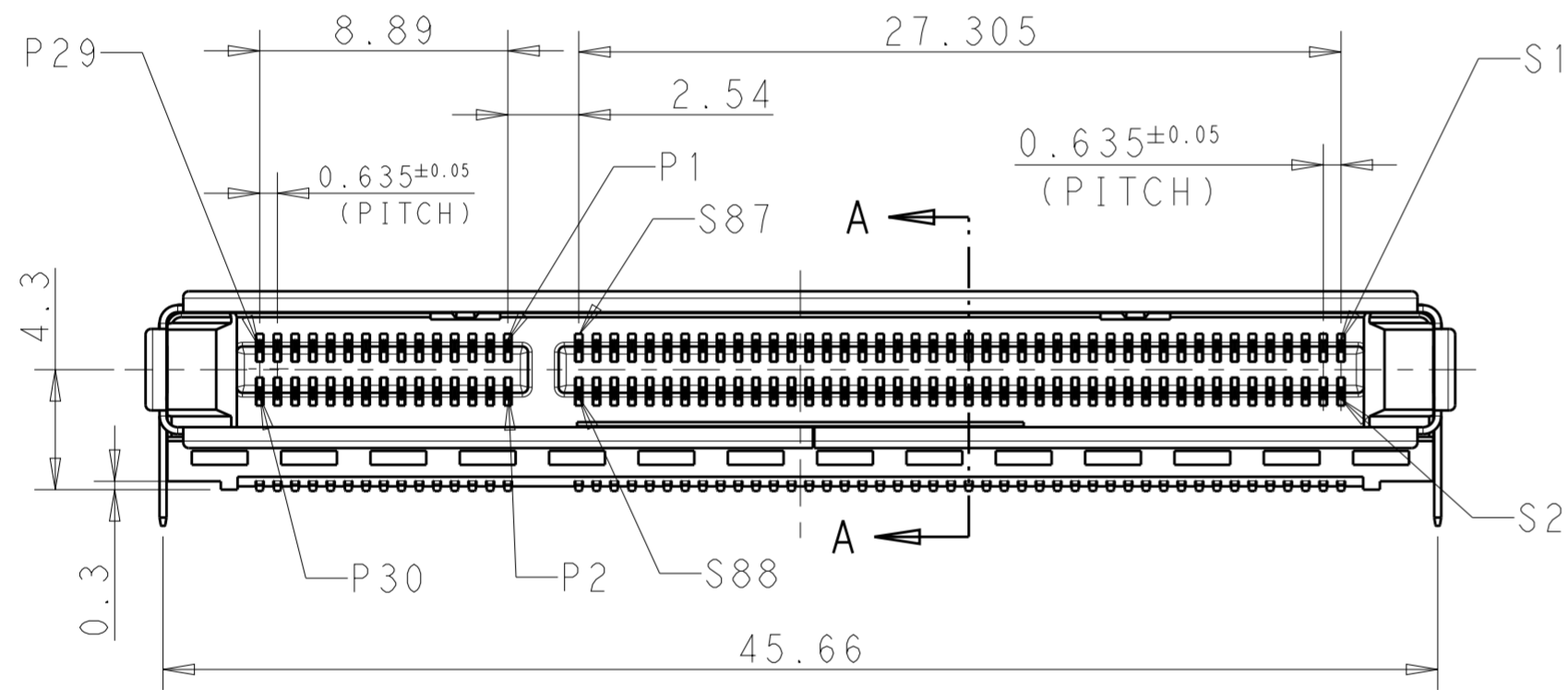
THIS DRAWING IS UNPUBLISHED. RELEASED FOR PUBLICATION 20  
 © COPYRIGHT 20 BY - ALL RIGHTS RESERVED.

LOC		DIST		REVISIONS			
P	LTR	DESCRIPTION	DATE	DWN	APVD		
	A	REVISED	30OCT2012	E.L	X.X		

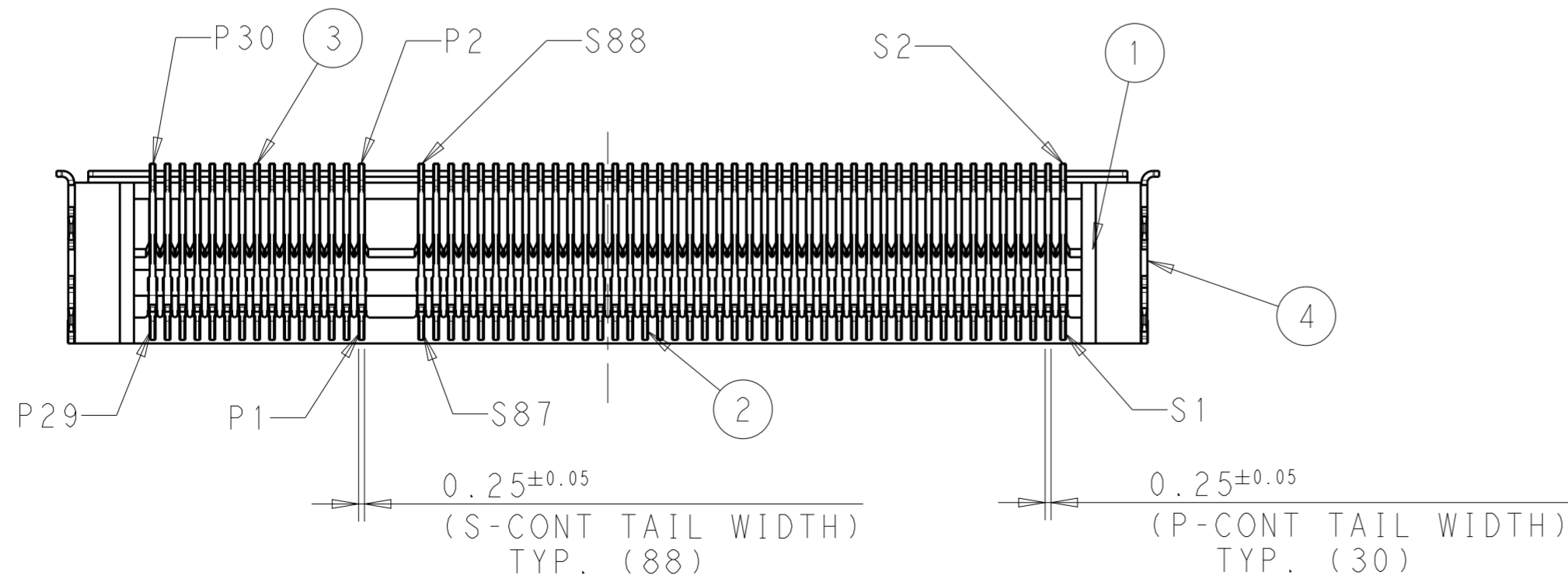
AS SHOWN: 2199022-1



SECTION A-A  
SCALE 8:1



- ① MATERIAL:
- ① HOUSING: THERMO-PLASTIC (UL94V-0, BLACK)
- ② SIGNAL CONTACT: COOPER ALLOY.
- ③ POWER CONTACT: COPPER ALLOY.
- ④ SHELL: STAINLESS STEEL.
- ② FINISH:
- CONTACT: ALL OVER Ni UNDER PLATING. Au PLATING ON CONATCT AREA. Tin PLATING ON TINE AREA.
- SHELL: NICKEL PLATING.

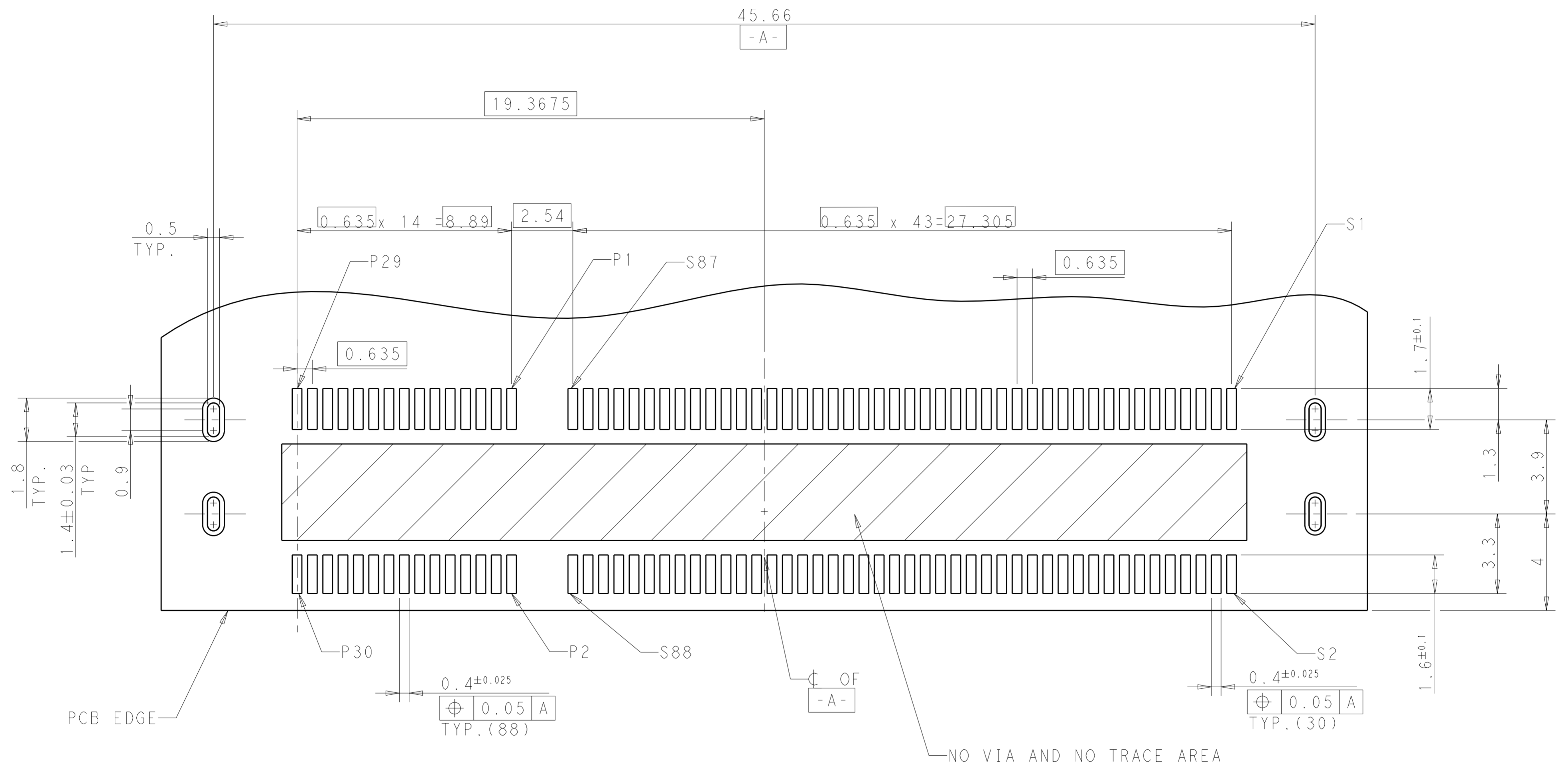


Q'TY	NAME	ITEM NO.
1	SHELL	④
30	POWER CONT	③
88	SIGNAL CONT	②
1	HSG	①

THIS DRAWING IS A CONTROLLED DOCUMENT.		DWN: SIMON LI 5AUG2011	<b>STE</b> TE Connectivity
DIMENSIONS: mm		CHK: SIMON LI 5AUG2011	
TOLERANCES UNLESS OTHERWISE SPECIFIED:		APVD: COREI WANG 5AUG2011	
0 PLC ± 1 PLC ± 2 PLC ± ±0.25 3 PLC ± ±3° 4 PLC ± ANGLES ± FINISH ±		NAME: RECEPTACLE ASSY 0.635mm PITCH 118 PIN BAY CONNECTOR	
MATERIAL: ①	FINISH: ②	PRODUCT SPEC: -	SIZE: A200779
CUSTOMER DRAWING		APPLICATION SPEC: -	CAGE CODE: C-2199022
		WEIGHT: -	DRAWING NO: -
		SCALE: 4:1	RESTRICTED TO: -
		SHEET: 1 OF 3	REV: A

THIS DRAWING IS UNPUBLISHED. RELEASED FOR PUBLICATION 20  
 © COPYRIGHT 20 BY - ALL RIGHTS RESERVED.

LOC		DIST		REVISIONS			
P	LTR	DATE	DWN	APVD			
-	-	-	-	-	SEE SHEET 1		

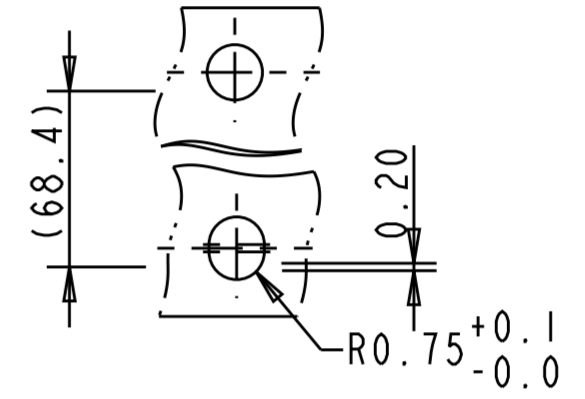
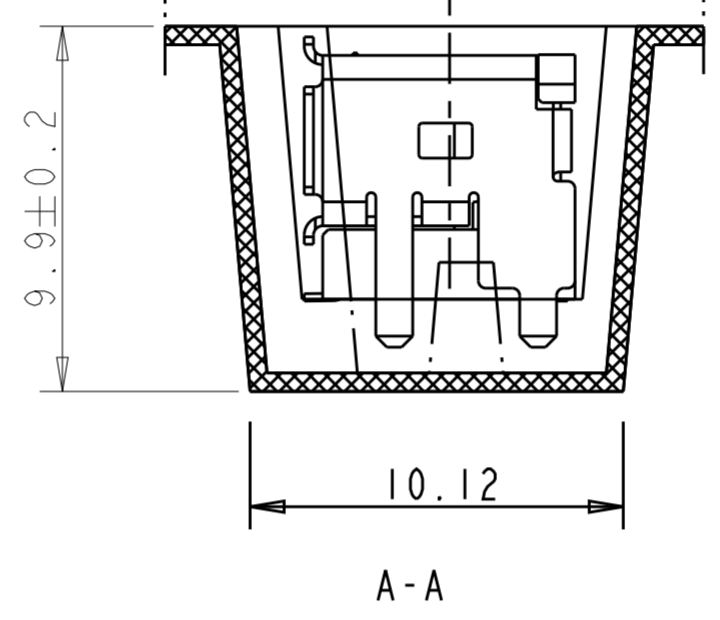
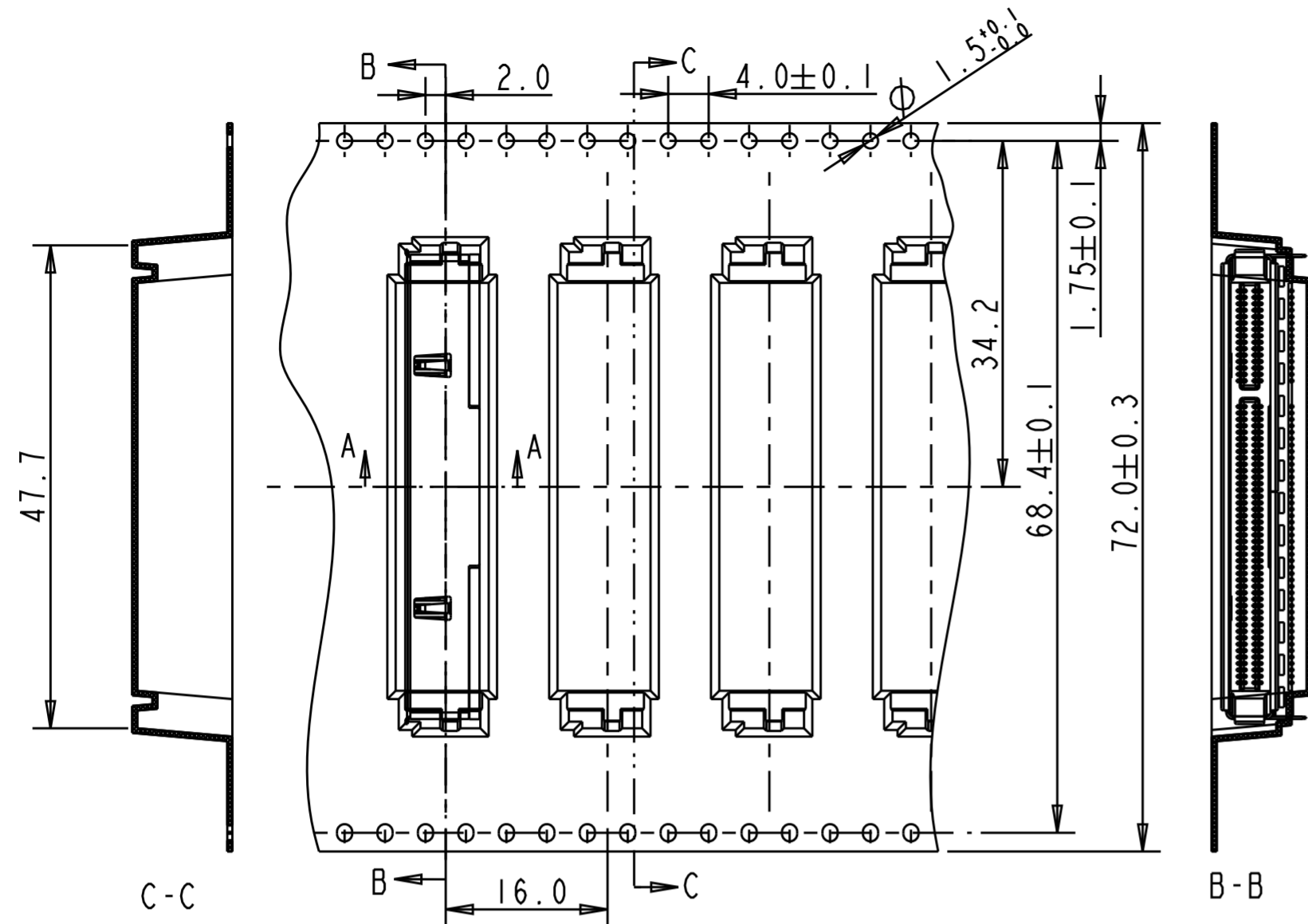


# RECOMMENDED P.C. BOARD LAYOUT (REFERENCE)

THIS DRAWING IS A CONTROLLED DOCUMENT.		DWN SIMON LI 5AUG2011	 TE Connectivity
DIMENSIONS: mm		CHK SIMON LI 5AUG2011	
TOLERANCES UNLESS OTHERWISE SPECIFIED:		APVD COREI WANG 5AUG2011	
0 PLC ± 1 PLC ± 2 PLC ± ±0.25 3 PLC ± ±3° 4 PLC ± ANGLES ± FINISH ±		NAME RECEPTACLE ASSY 0.635mm PITCH 118 PIN BAY CONNECTOR	
MATERIAL		PRODUCT SPEC	SIZE A200779
		APPLICATION SPEC	CAGE CODE C-2199022
		WEIGHT	DRAWING NO -
		CUSTOMER DRAWING	RESTRICTED TO -
		SCALE 2:1	SHEET 2 OF 3
			REV A

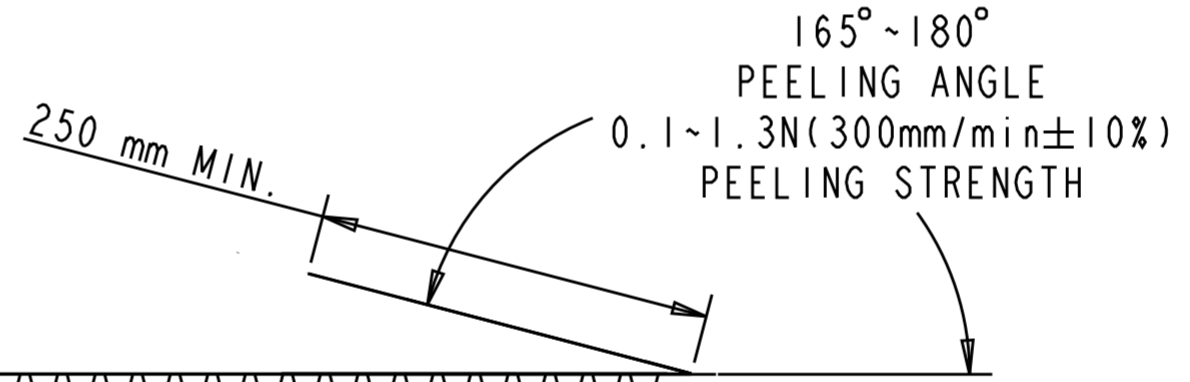
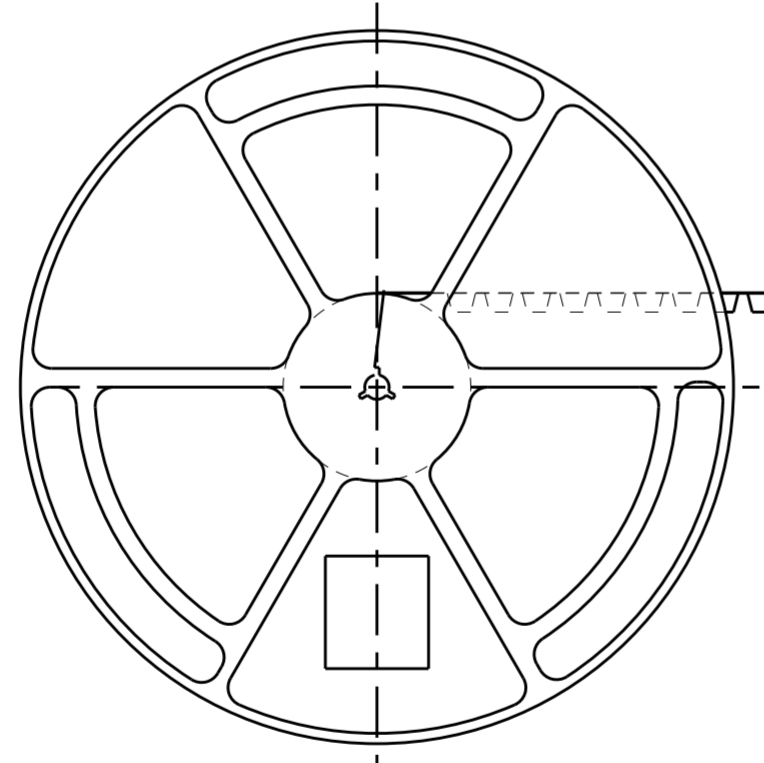
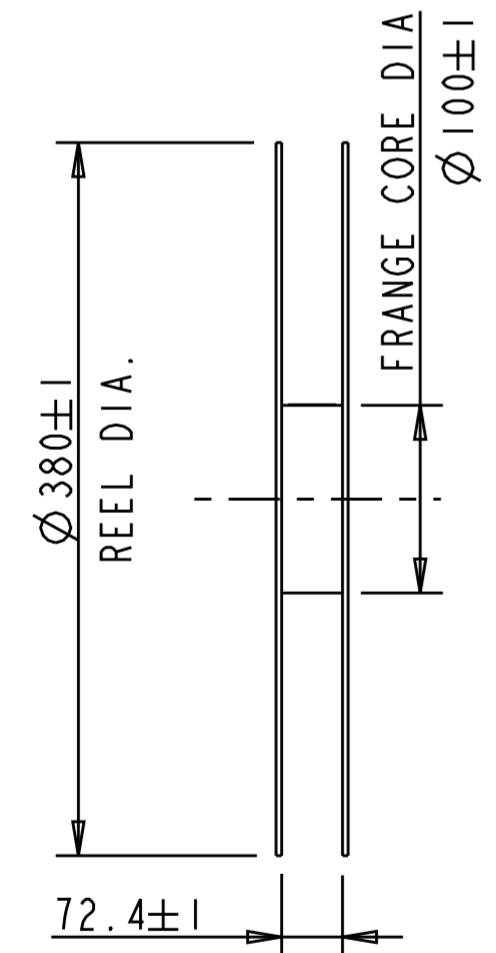
THIS DRAWING IS UNPUBLISHED. RELEASED FOR PUBLICATION 20  
 © COPYRIGHT 20 BY - ALL RIGHTS RESERVED.

LOC		DIST		REVISIONS			
P	LTR	DESCRIPTION	DATE	DWN	APVD		
-	-	SEE SHEET 1	-	-	-		



DETAIL, ELONGATION AND SKEW OF SPROCKET HOLES

USER DIRECTION OF UNREELING →



300mm MIN. WITHOUT CHARGE    WITH PRODUCT CHARGE 550 PCS/IREEL    300mm MIN. WITHOUT CHARGE  
 SEALED WITH COVER TAPE    SEALED WITH COVER TAPE

THIS DRAWING IS A CONTROLLED DOCUMENT.		DWN SIMON LI 5AUG2011	TE Connectivity
DIMENSIONS: mm		CHK SIMON LI 5AUG2011	
TOLERANCES UNLESS OTHERWISE SPECIFIED:		APVD COREI WANG 5AUG2011	
0 PLC ± 1 PLC ± 2 PLC ± 3 PLC ± 4 PLC ± ANGLES ± FINISH ±		NAME RECEPTACLE ASSY 0.635mm PITCH 118 PIN BAY CONNECTOR	
MATERIAL		PRODUCT SPEC	SIZE A200779
		APPLICATION SPEC	CAGE CODE C-2199022
		WEIGHT	DRAWING NO C-2199022
		CUSTOMER DRAWING	RESTRICTED TO -
			SCALE 4:1 SHEET 3 OF 3 REV A

# Mouser Electronics

Authorized Distributor

Click to View Pricing, Inventory, Delivery & Lifecycle Information:

[TE Connectivity:](#)

[2199022-1](#)