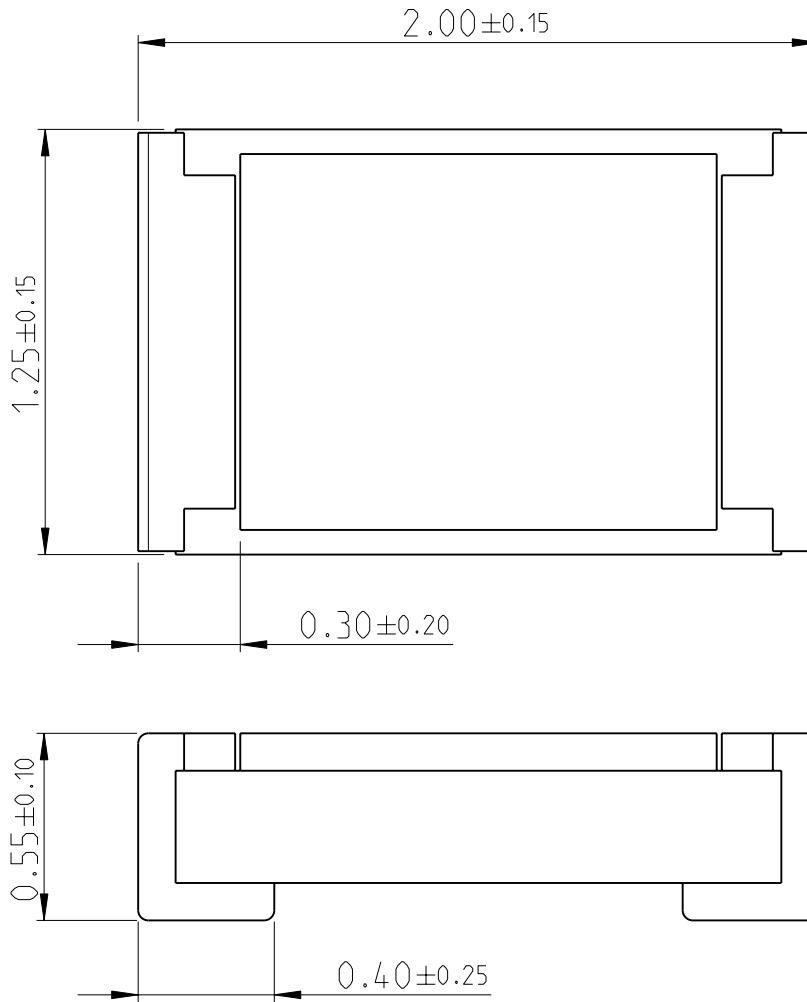
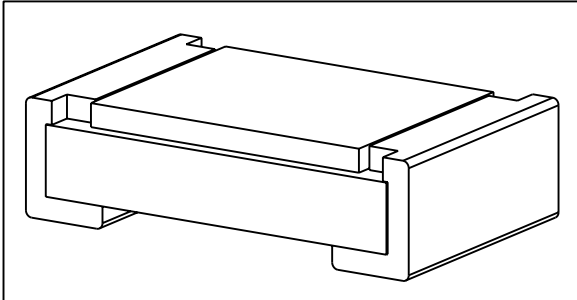


LOC	DIST	REVISIONS					
-	-	P	LTR	DESCRIPTION	DATE	DWN	APVD
		BA		NEW DRAWING	26APR2012	KR	St.P



FOR FURTHER INFORMATION SEE DATA SHEET FOR
SMD HIGH POWER PRECISION RESISTORS - RP73 SERIES

RoHS Compliant



20


RELEASED FOR PUBLICATION

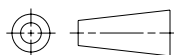
ALL RIGHTS RESERVED.

THIS DRAWING IS UNPUBLISHED.

BY -

© COPYRIGHT 20

DIMENSIONS: mm	DWN	RAGHAVENDRA K	26APR2012	MATERIAL	-	FINISH	-	
	CHK	ALLAN P	26APR2012	 TE Connectivity				
TOLERANCES UNLESS OTHERWISE SPECIFIED:	APVD	STEPHEN.P	26APR2012					NAME
	0 PLC	±	PRODUCT SPEC	-	SIZE	CAGE CODE	DRAWING NO	RESTRICTED TO
1 PLC	±0.5	APPLICATION SPEC	-	A 4	00779	©-2176094	-	
2 PLC	±0.13	WEIGHT	0.005 Gram	SCALE		40:1	SHEET 1 OF 1	REV BA
3 PLC	±0.013	CUSTOMER DRAWING						
4 PLC	±0.0001							
ANGLES	±							



Mouser Electronics

Authorized Distributor

Click to View Pricing, Inventory, Delivery & Lifecycle Information:

[TE Connectivity:](#)

[5-2176094-1](#)