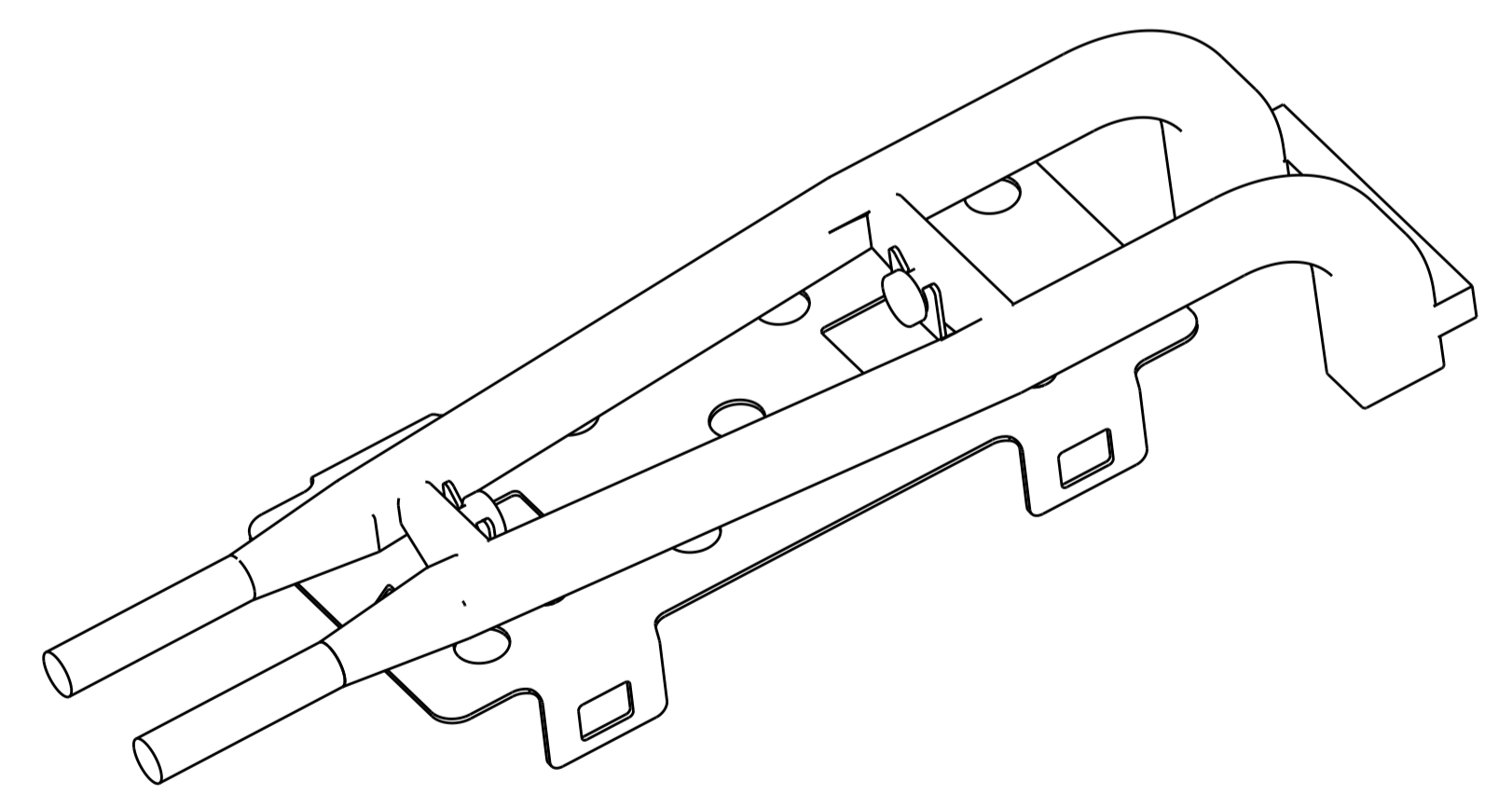
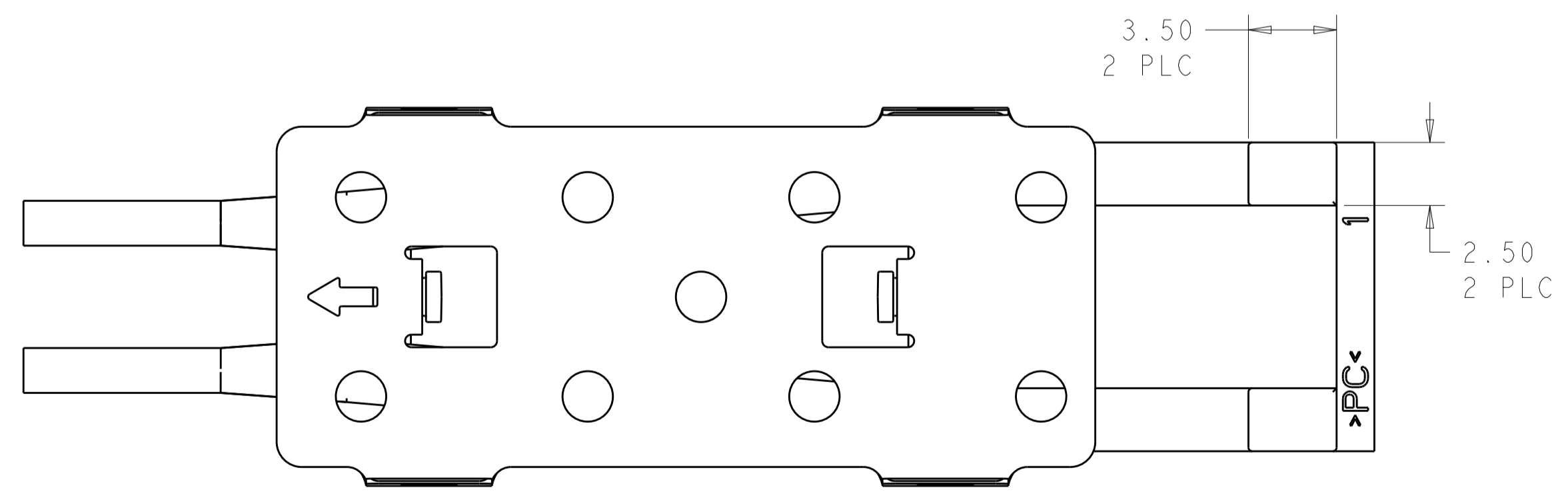
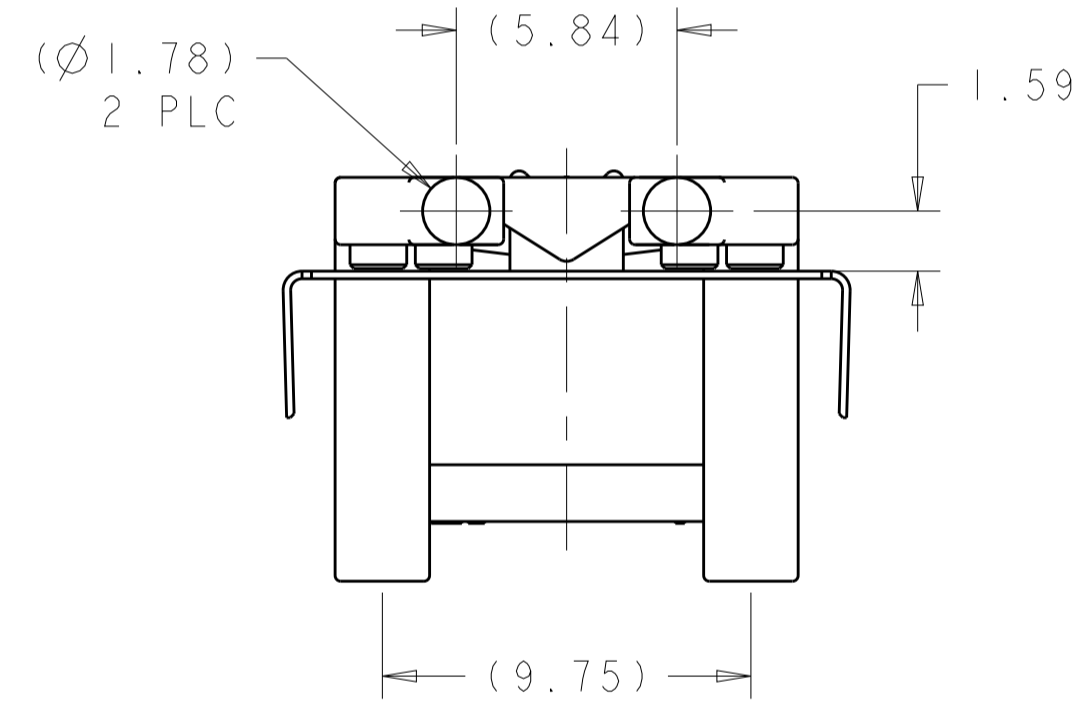
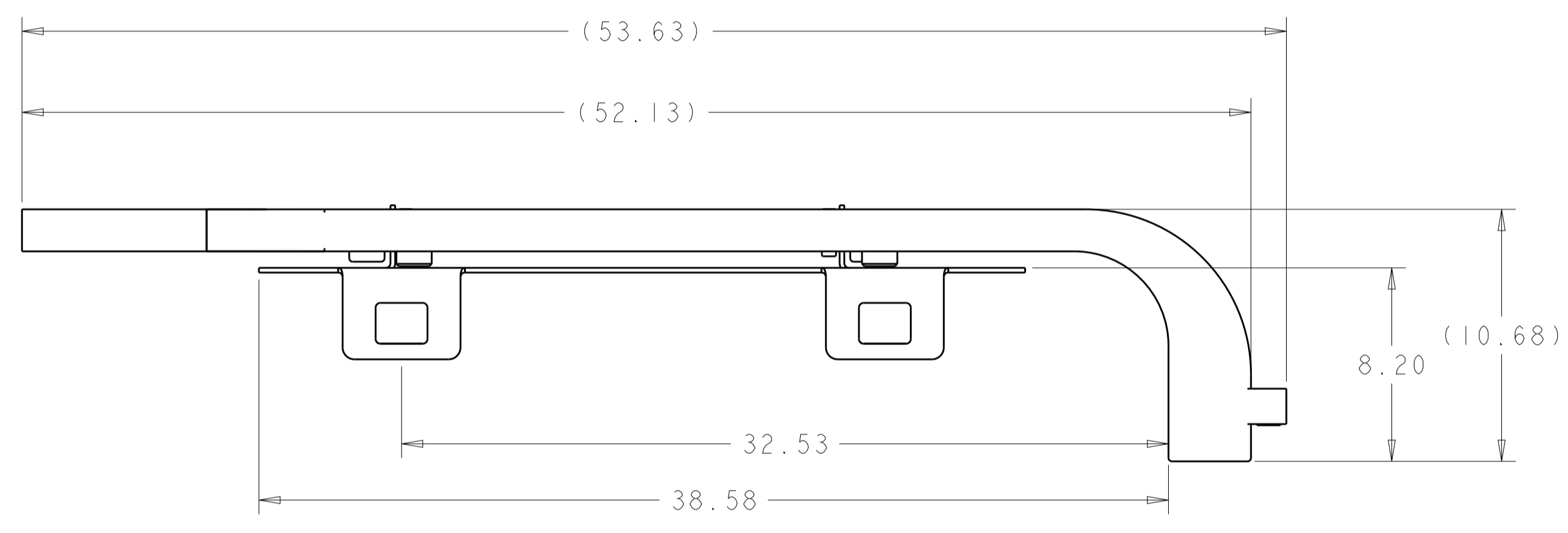
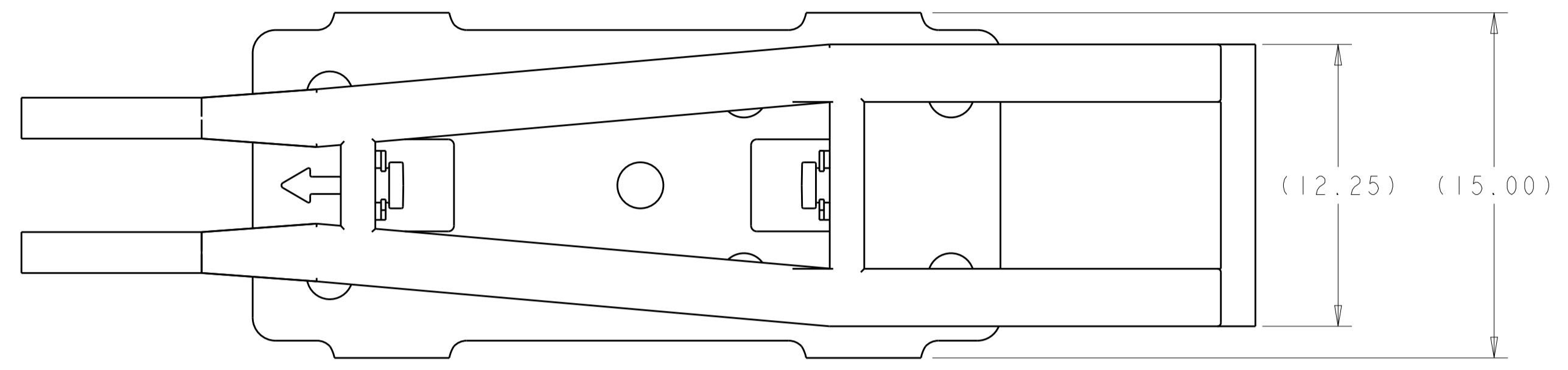


LOC	DIST	REVISIONS					
		P.	LTN	DESCRIPTION	DATE	DWN	APVD
ES	00	A		RELEASED	26FEB2016	JW	SH



1. MATERIAL:
 LIGHTPIPE: POLYCARBONATE, CLEAR
 LIGHTPIPE BRACKET: STAINLESS STEEL.

2170194-1
 PART NUMBER

THIS DRAWING IS A CONTROLLED DOCUMENT.		DWN: JASON YANG 18NOV2011	TE Connectivity	
DIMENSIONS:		CHK: ALEX CAI 18NOV2011	NAME: HEATSINK SFP DWDM LIGHT PIPE ASSEMBLY FOR IXI SFP	
mm	0 PLC ±	APVD: ALEX CAI 18NOV2011	PRODUCT SPEC	
	1 PLC ±0.2		APPLICATION SPEC	
	2 PLC ±		SIZE: CAGE CODE: DRAWING NO: RESTRICTED TO	
	3 PLC ±		A100779C=2170194	
	4 PLC ±		SCALE: 2:1 SHEET 1 OF 1 REV A	
	ANGLES ±		CUSTOMER DRAWING	
MATERIAL:	FINISH:	WEIGHT:		

Mouser Electronics

Authorized Distributor

Click to View Pricing, Inventory, Delivery & Lifecycle Information:

[TE Connectivity:](#)

[2170194-1](#)