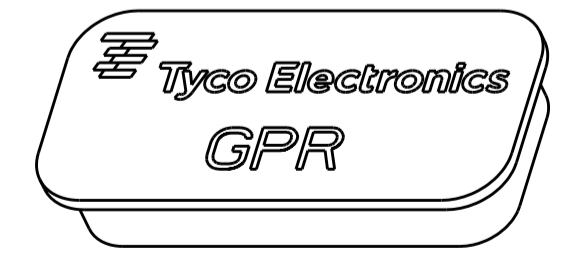
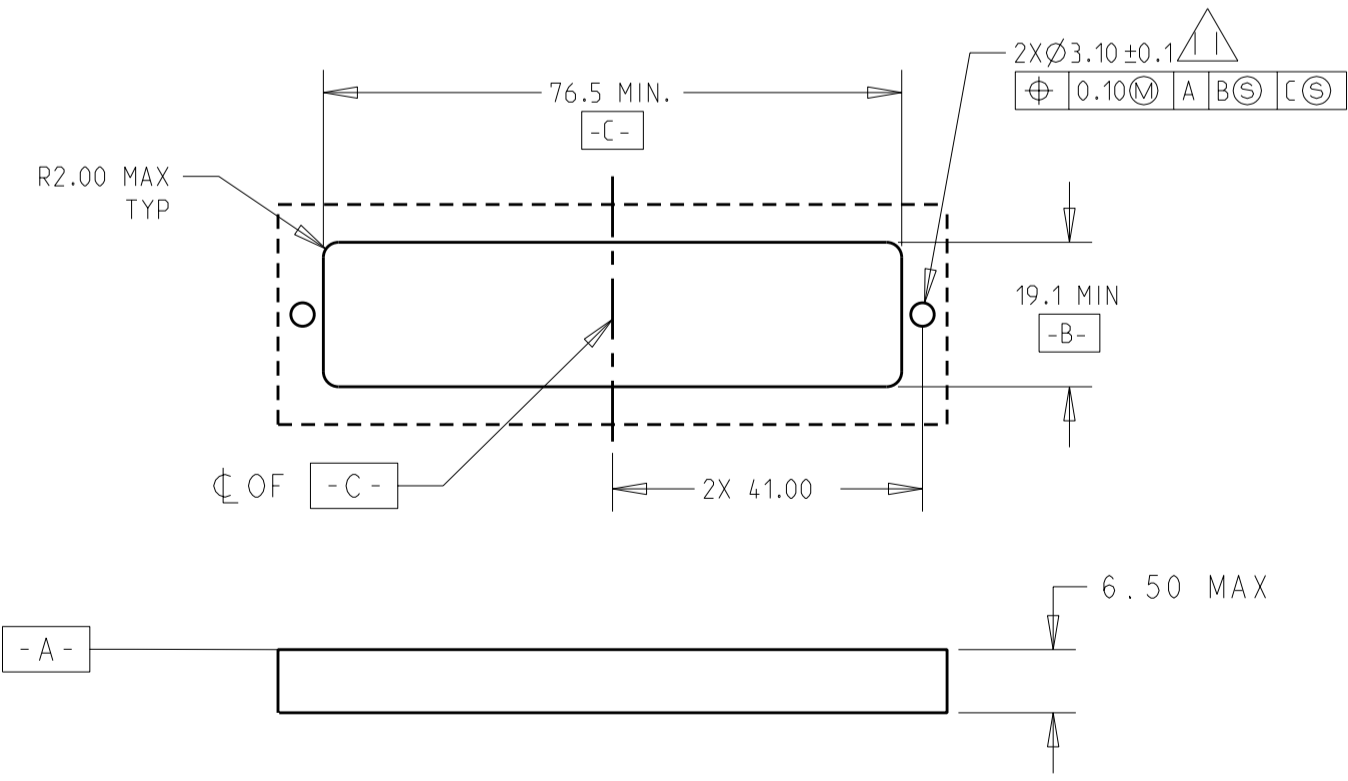
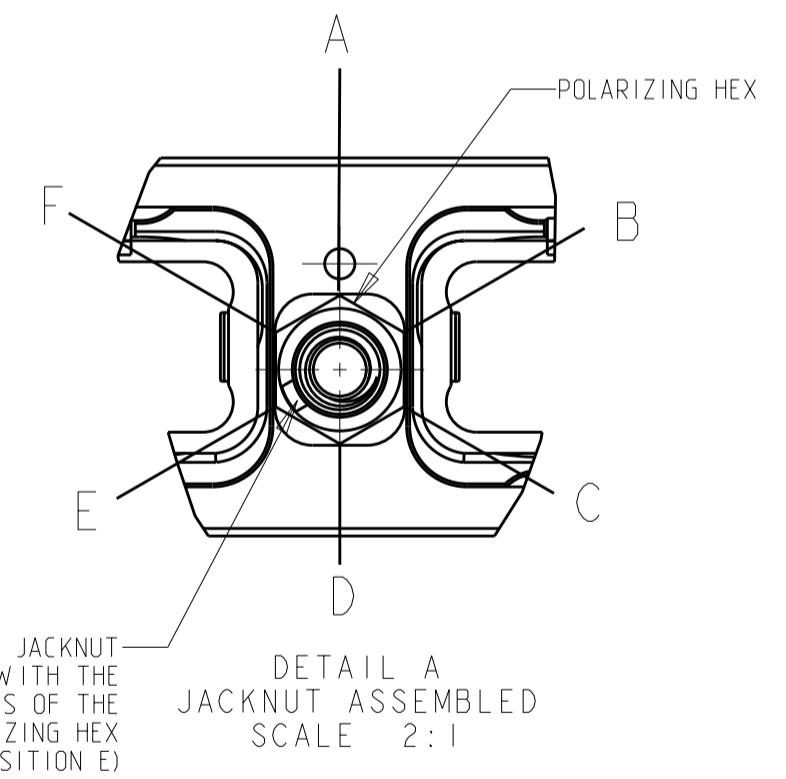
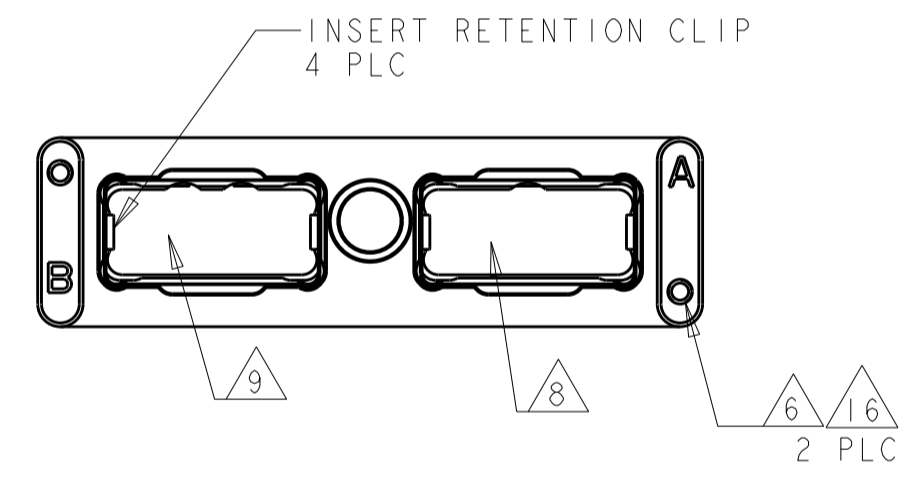
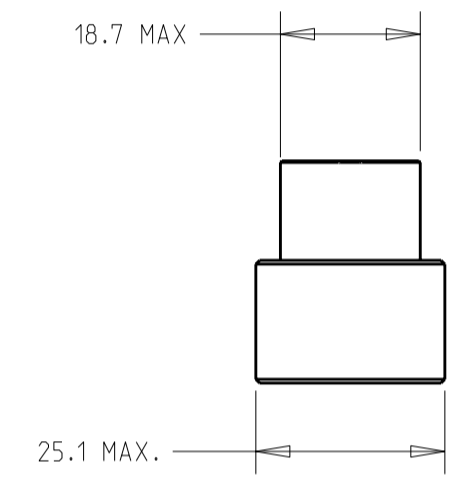
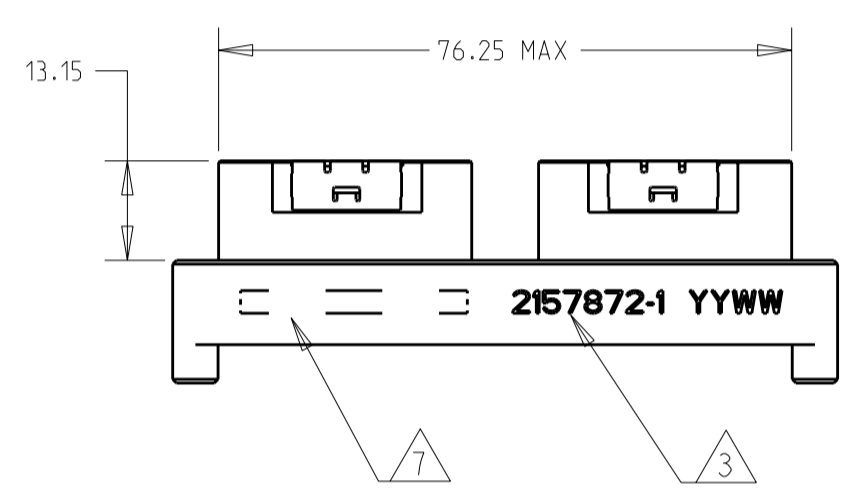
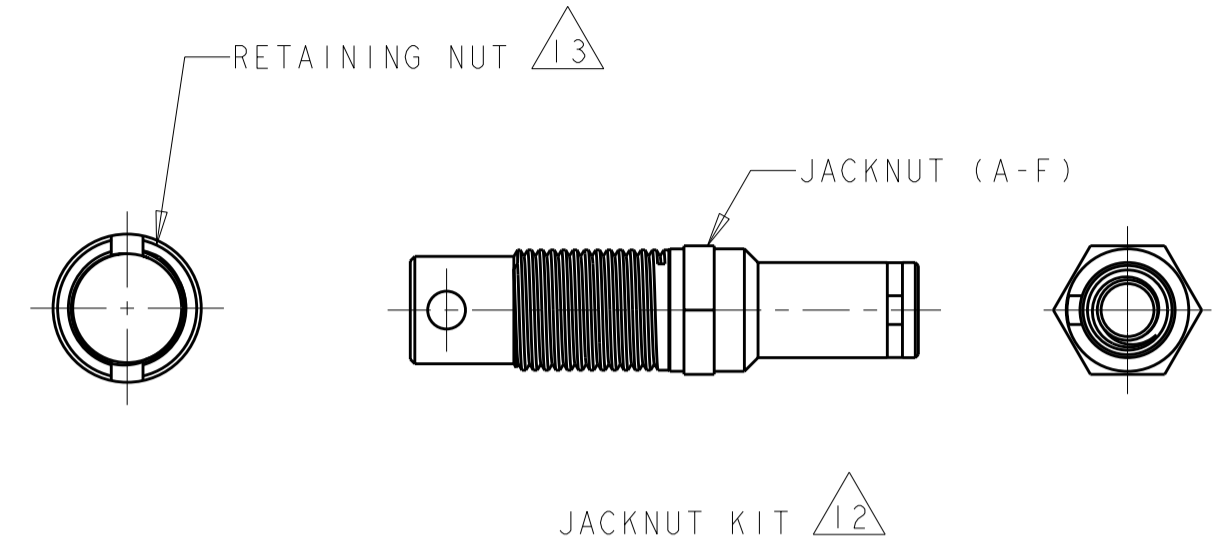
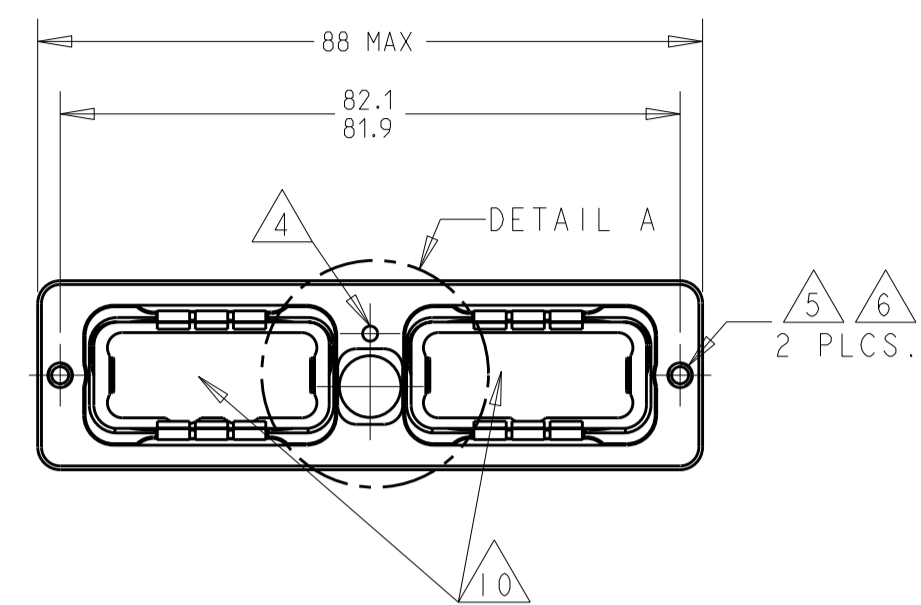


THIS DRAWING IS UNPUBLISHED. RELEASED FOR PUBLICATION 20  
 © COPYRIGHT 20 BY - ALL RIGHTS RESERVED.

LOC	DIST	REVISIONS				
P	LTR	DESCRIPTION	DATE	DWN	APVD	
-	-	A	RELEASED PER ECO 12-002492	2-6-12	CT	MS

- 1 SHELL: ALUMINIUM ALLOY 6061 T651  
 INSERT RETENTION CLIP & GROUNDING SPRING: COPPER ALLOY PER ASTM B194  
 JACKNUT & RETENTION NUT: STAINLESS STEEL PER AISI 316  
 JACKNUT SPRING: STAINLESS STEEL PER AISI 302  
 PROTECTIVE COVER: THERMOPLASTIC ELASTOMER
- 2 SHELL: ELECTROLESS NICKEL PER SAE AMS-C-26074, CLASS 1  
 GROUNDING SPRING: ELECTROLESS NICKEL PER SAE AMS-QQ-N-290
- 3 DATE CODE - YEAR & WEEK (YYWW)
- 4 INDEXING POINT FOR POLARIZATION
- 5 TWO 4-40 X .500" SCREWS ARE REQUIRED FOR PANEL MOUNTING (INCLUDED)  
 RECOMMENDED TORQUE 1.1 N-m [10 in\_lb] MIN.
- 6 THREADED HOLES ARE SELF LOCKING HAVING THE SPIRALOCK® THREAD FORM  
 SPIRALOCK® IS A REGISTERED TRADEMARK OF SPIRALOCK CORPORATION
- 7 "TE" MANUFACTURER'S IDENTIFICATION MARK
- 8 SHELL CAVITY FOR GPRB SERIES INSERT WITH KEYING CODE A
- 9 SHELL CAVITY FOR GPRB SERIES INSERT WITH KEYING CODE B
- 10 PROTECTIVE COVERS NOT SHOWN FOR CLARITY
- 11 SCREW HEAD DIAMETER: 6.00 MAX.
- 12 THE JACKNUT AND RETAINING NUT ARE SHIPPED UNASSEMBLED.  
 THE CUSTOMER SHALL APPLY LOCTITE PRODUCT 272 THREADLOCKING ADHESIVE  
 WHEN INSTALLING THESE ON THE SHELL ASSEMBLY.  
 LOCTITE IS A REGISTERED TRADEMARK OF LOCKTITE CORPORATION
- 13 A SPANNER WRENCH TOOL, TE PART NO. 1738220-1 (WITH 1/4-IN ADAPTOR) OR 1738221-1 (WITH T-HANDLE), IS USED  
 TO LOCK THE RETAINING NUT. RECOMMENDED LOCKING TORQUE: 1.5 N-m [13 in-lb]
- 14. PITCH FOR SIDE-BY-SIDE MOUNTING: 25.50 MIN.
- 15. THIS PRODUCT IS SOLD BY TE Connectivity UNDER A LICENCE FROM RADIAL SA
- 16 TWO 4-40 X .312" SCREWS ARE REQUIRED FOR PCB MOUNTING (INCLUDED).



PROTECTIVE CAP (INSTALLED FOR SHIPPING)  
 QTY = 2  
 SCALE 2:1

2157872-1  
 PART NO.

THIS DRAWING IS A CONTROLLED DOCUMENT.		DWN NIRANJAN H 13 JAN 2012	TE Connectivity	
DIMENSIONS: mm		CHK M. SPICER 13 JAN 2012		
TOLERANCES UNLESS OTHERWISE SPECIFIED:		APVD M. SPICER 2-3-12	NAME RECEPTACLE SHELL KIT, PANEL MOUNT WITH FLANGE, GPRB2 PCB MOUNTING	
0 PLC ±	1 PLC ±	PRODUCT SPEC	SIZE	CAGE CODE
2 PLC ±	3 PLC ±	APPLICATION SPEC	A200779	C=2157872
4 PLC ±	ANGLES ±	WEIGHT	DRAWING NO	
FINISH	2	CUSTOMER DRAWING	RESTRICTED TO	
		SCALE	SHEET	OF
				REV A

# Mouser Electronics

Authorized Distributor

Click to View Pricing, Inventory, Delivery & Lifecycle Information:

[TE Connectivity:](#)

[2157872-1](#)