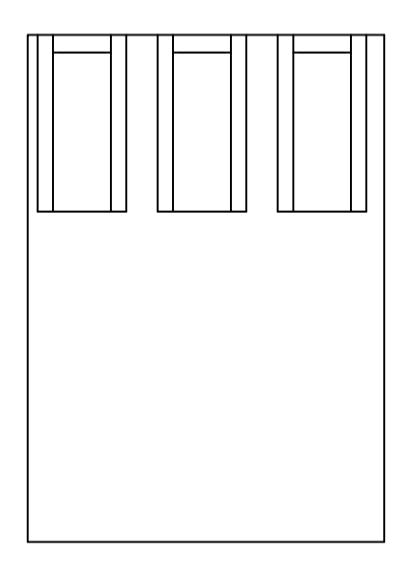
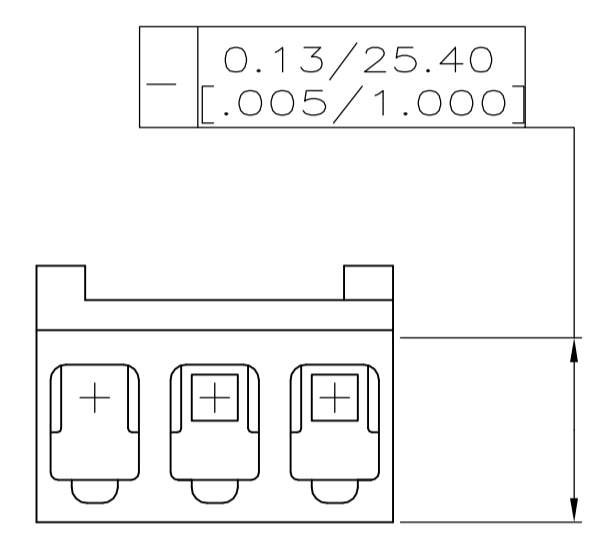
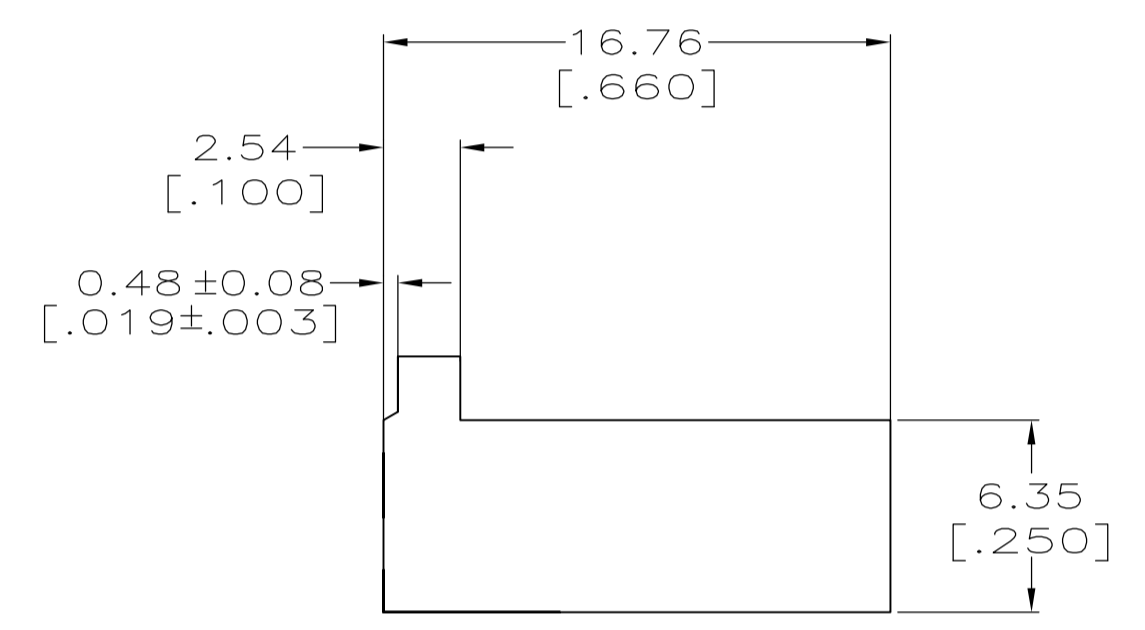
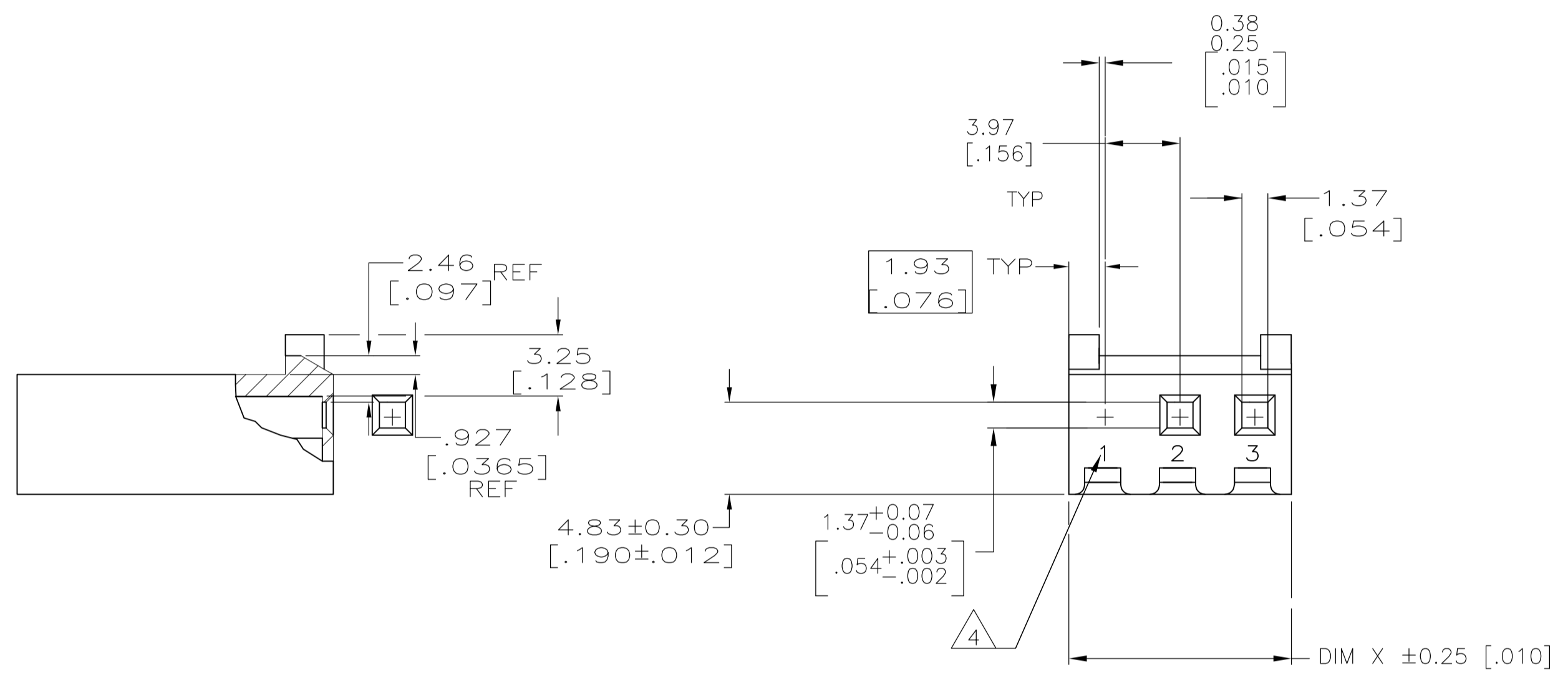
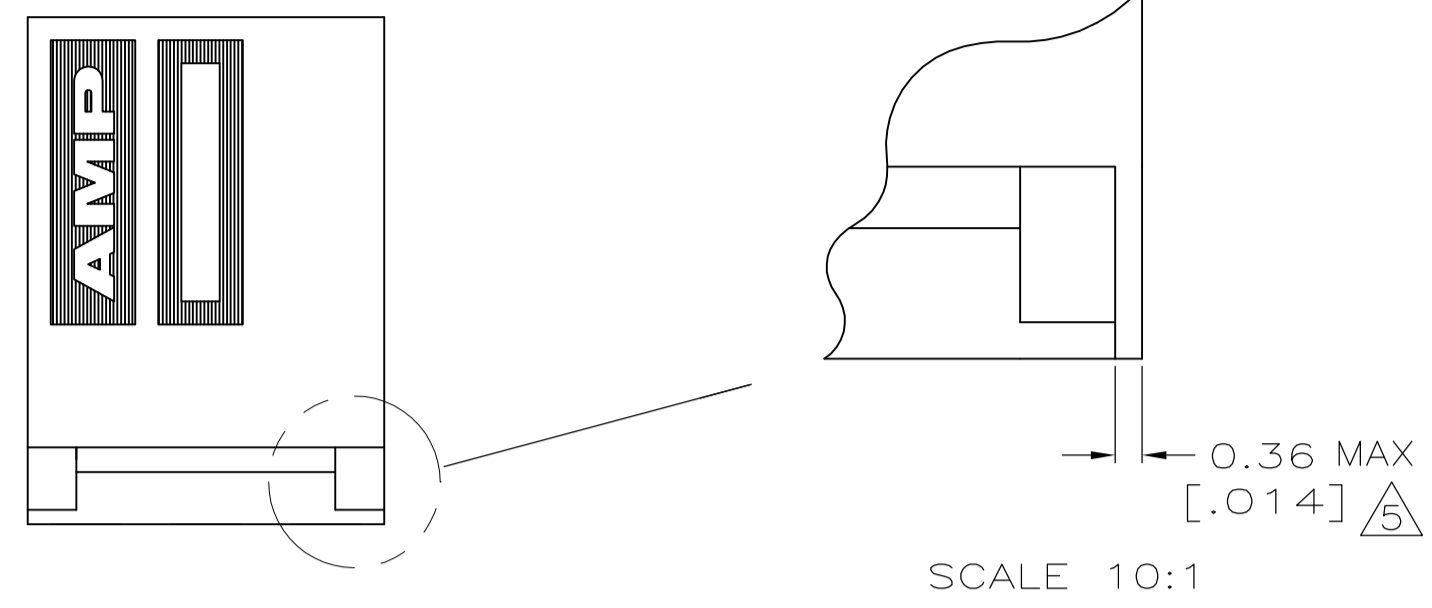


LOC	DIST	REVISIONS				
CM	0	REV	DESCRIPTION	DATE	BY	APPV
C		1	REVISED PER ECO-12-007810	27JUL12	KH	SM

- 1 UNIT ACCEPTS 1.14[.045] SQUARE OR ROUND POST.
- 2 UNIT ACCEPTS STANDARD SL-156 CONTACTS.
- 3 UNIT ACCEPTS KEYING PLUG 640254-1 AND KEYING PIN 640255-1.
- 4 IDENTIFICATION NUMBER FOR ALL POSITIONS, OR FOR POSITION 1 ONLY, WILL BE LOCATED AS SHOWN.
- 5 OPTIONAL CONSTRUCTION, BOTH ENDS.
- 6 DIMENSIONS IN BRACKETS ARE IN INCHES.



SUPERSEDED

19.74 [.777]	5	2149087-5
11.80 [.465]	3	2149087-3
11.80 [.465]	3	2149087-1
DIM X	NO OF POSN	PART NUMBER

METRIC

DIMENSIONS:		TOLERANCES UNLESS OTHERWISE SPECIFIED:		APPROVED:		DRAWING NO.		RESTRICTED TO	
mm	[INCHES]	0 PLC	±	1 PLC	±	DATE	BY	DATE	BY
		1 PLC	±	2 PLC	±	06AUG2010	D. HUMBERT	06AUG2010	J. FABY
		3 PLC	±	4 PLC	±	06AUG2010	J. FABY	06AUG2010	J. FABY
		ANGLES	±		±				
MATERIAL: NYLON, UL 94V-0		FINISH: -		WEIGHT: -		SIZE: A1		CUSTOMER DRAWING	
						00779		2149087	
						SCALE: 4:1		SHEET 1 OF 1	
								REV C	

Mouser Electronics

Authorized Distributor

Click to View Pricing, Inventory, Delivery & Lifecycle Information:

[TE Connectivity:](#)

[2149087-5](#)