

LOC	DIST	REVISIONS			
P	LTN	DESCRIPTION	DATE	OWN	APVD
A		REVISED PER ECO-12-022195	19DEC2012	PR	PR
A1		REVISED PER ECO-13-000400	08JAN2013	PR	PR
B		REVISED PER ECO-13-005933	04APR2013	PR	PR

- 1 TE CONNECTIVITY LOGO AND PART NUMBER
- 2 MATERIAL IDENTIFIER
- 3 DATE WHEEL
- 4 4-2138685-1, 2-2138685-5, 2138685-2, AND 2138685-3;
FERRITES ON PCB
K= TDK HF70ACB322513

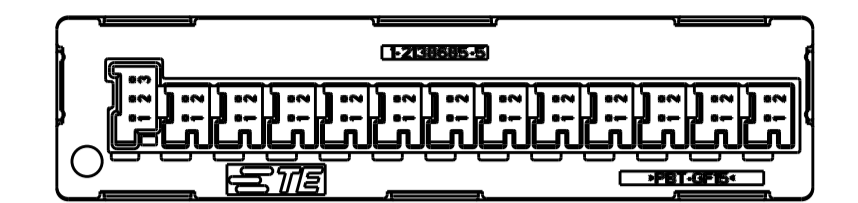
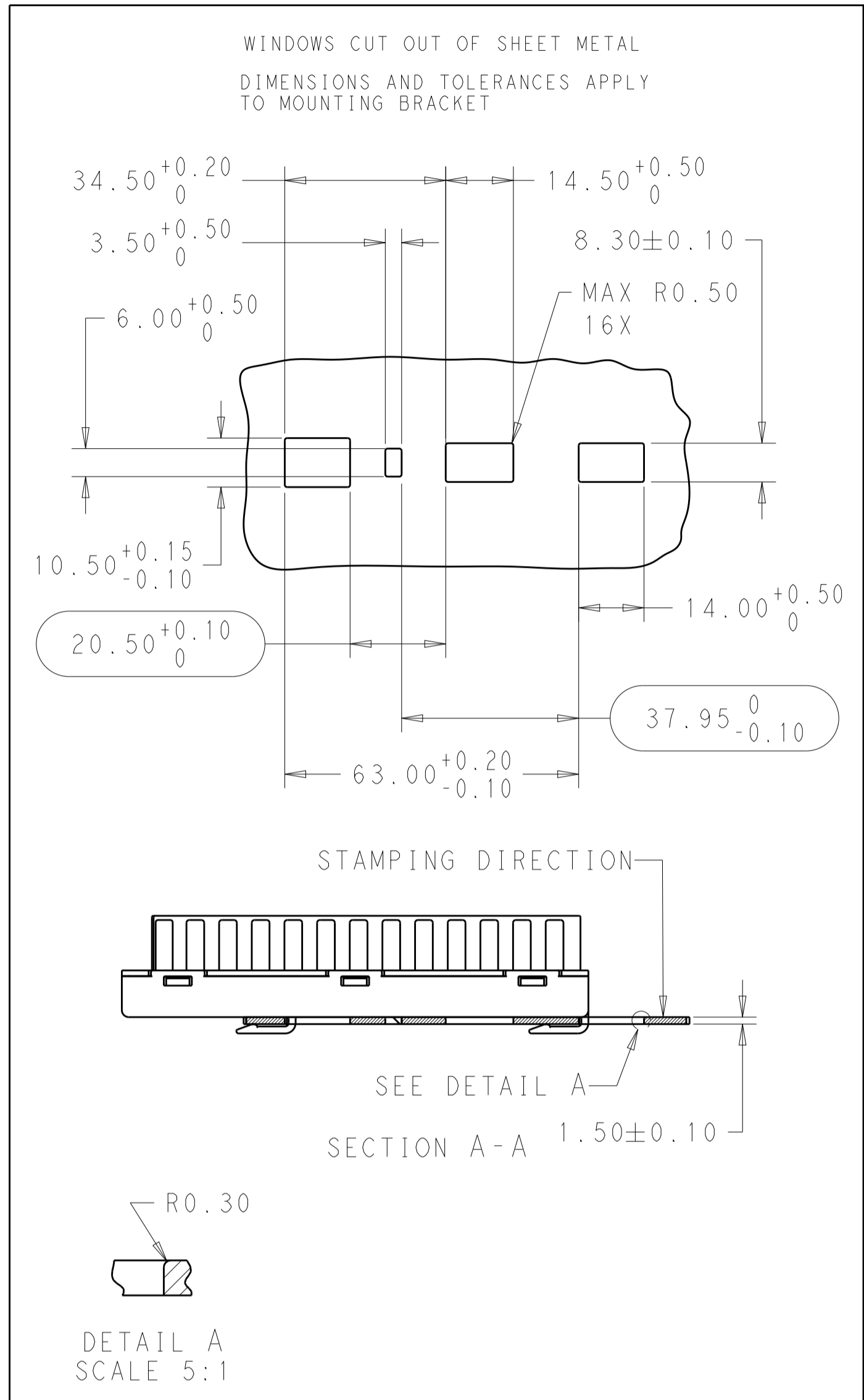
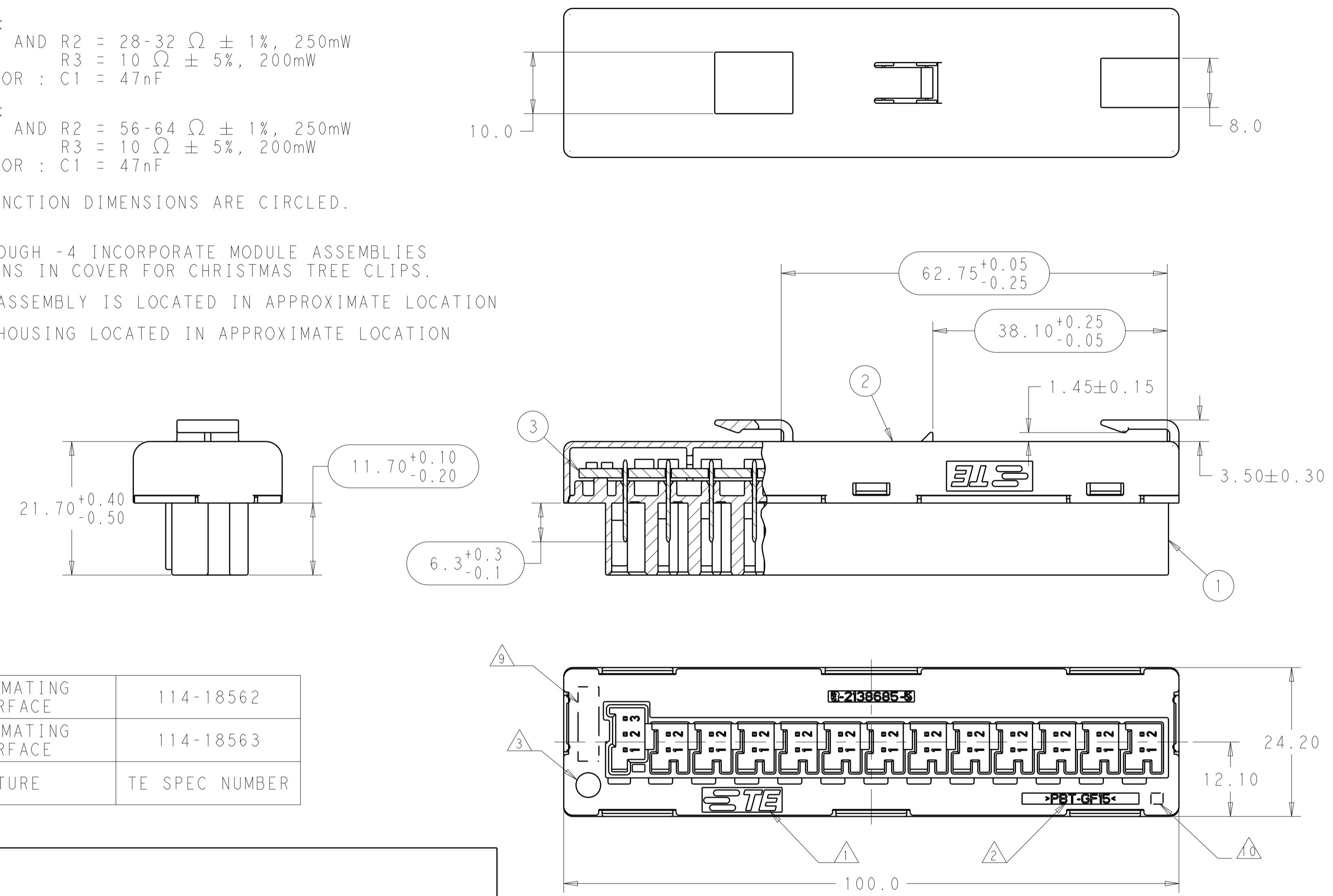
- 1-2138685-5, 5-2138685-5, 2138685-1, AND 2138685-4;
NO FERRITES ON PCB

- 5 PCB COMPONENTS:
RESISTORS : R1 AND R2 = 28-32 Ω ± 1%, 250mW
R3 = 10 Ω ± 5%, 200mW
CAPACITOR : C1 = 47nF

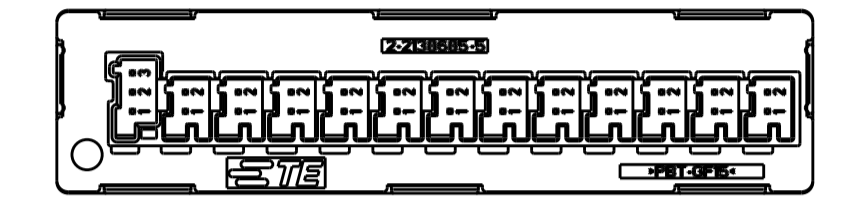
- 6 PCB COMPONENTS:
RESISTORS : R1 AND R2 = 56-64 Ω ± 1%, 250mW
R3 = 10 Ω ± 5%, 200mW
CAPACITOR : C1 = 47nF

7. CRITICAL TO FUNCTION DIMENSIONS ARE CIRCLED.

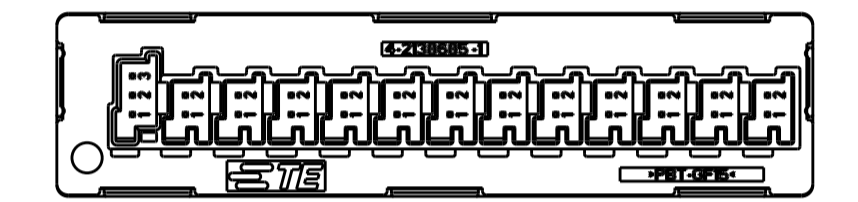
- 8 2138644-1 THROUGH -4 INCORPORATE MODULE ASSEMBLIES WITH PROVISIONS IN COVER FOR CHRISTMAS TREE CLIPS.
- 9 DATE CODE OF ASSEMBLY IS LOCATED IN APPROXIMATE LOCATION
- 10 CAVITY ID OF HOUSING LOCATED IN APPROXIMATE LOCATION



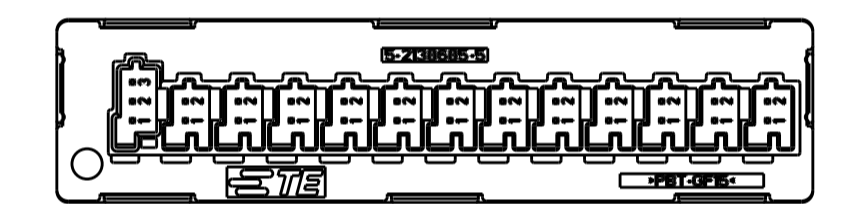
KEY CODE "A"
SCALE 1:1



KEY CODE "B"
SCALE 1:1



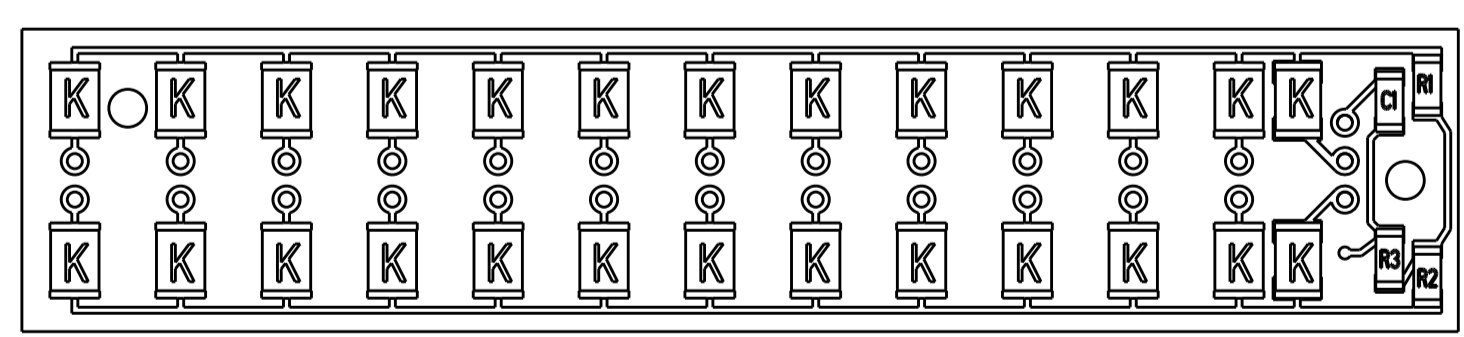
KEY CODE "D"
SCALE 1:1



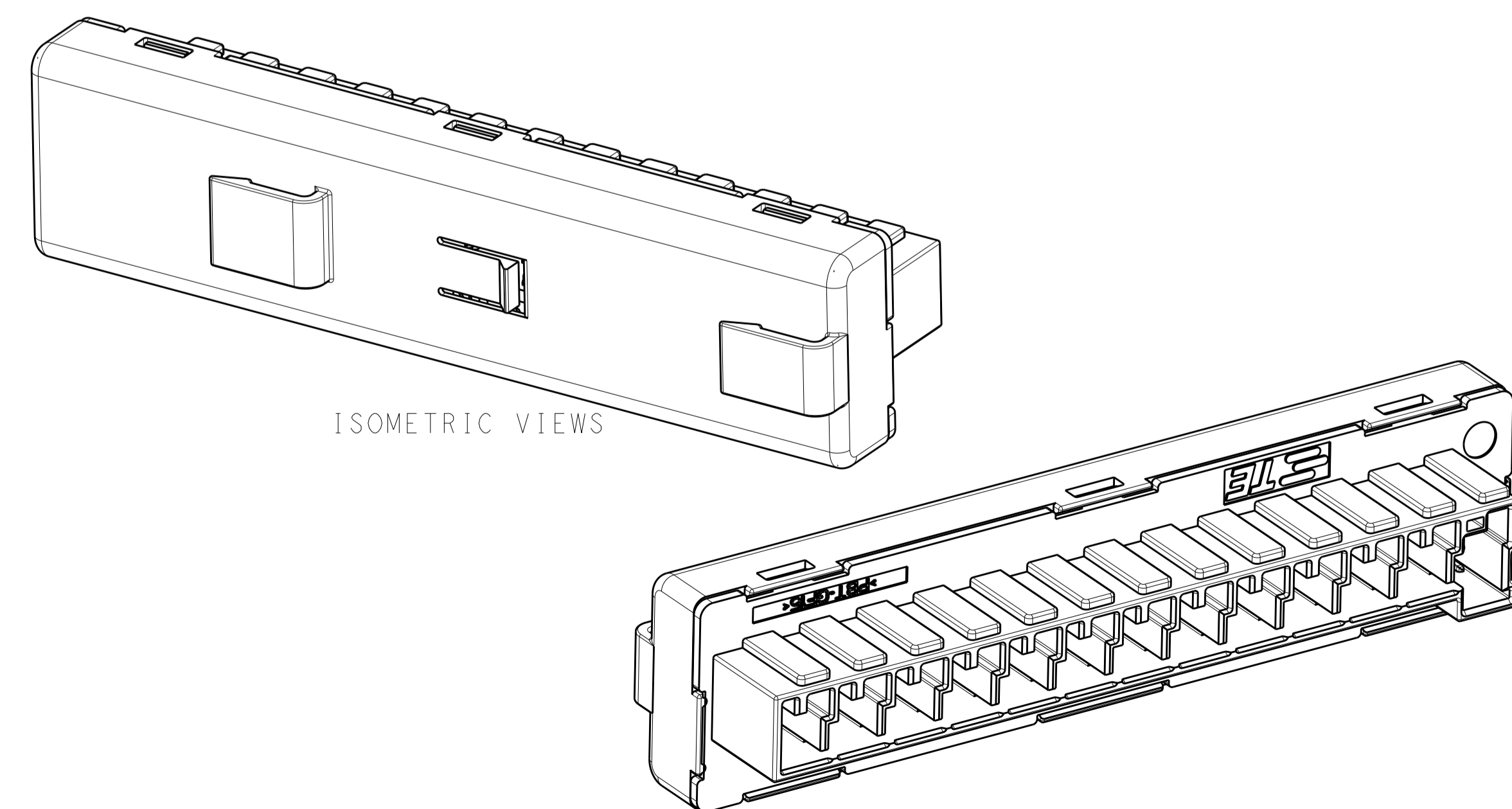
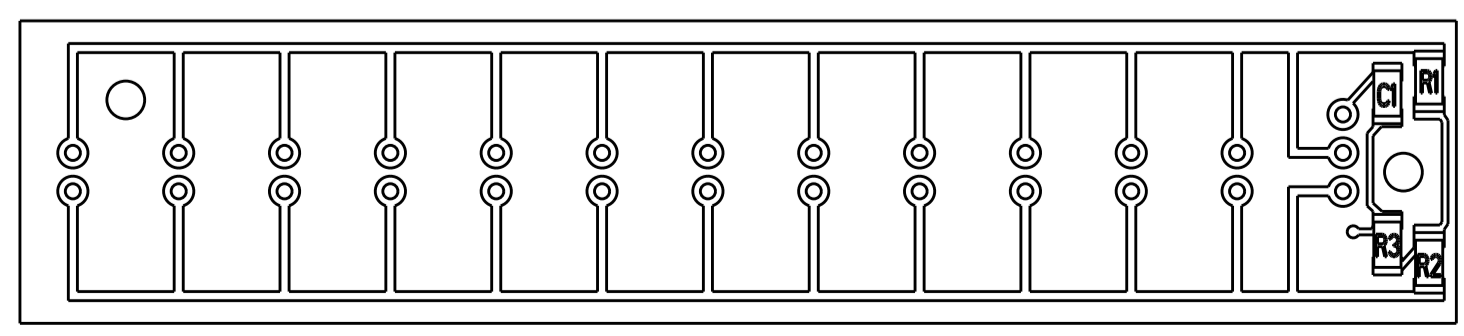
KEY CODE "E"
SCALE 1:1

NOTE	FEATURE	TE SPEC NUMBER
10	2 POS MATING INTERFACE	114-18562
9	3 POS MATING INTERFACE	114-18563

PCB DIAGRAM
TE P/N'S 2-2138685-5, 4-2138685-1,
2138644-2, AND 2138644-3



PCB DIAGRAM
TE P/N'S 1-2138685-5, 5-2138685-5,
2138644-1, AND 2138644-4



ISOMETRIC VIEWS

TITLE	KEY	TE P/N	REV	QTY	COMPONENT TITLE	MATERIAL	COLOR
CAN MODULE 12X 2POS, 1X 3POS	E	5-2138685-5	1	1	PCB	-	-
				1	COVER	PA66-GF35 ULTRAMID	NATURAL
CAN MODULE 12X 2POS, 1X 3POS	D	4-2138685-1	1	1	PIN HEADER 12X 2POS, 1X 3POS	PBT-GF15 BASF/ULTRADUR	NATURAL
				1	COVER	PA66-GF35 ULTRAMID	NATURAL
CAN MODULE 12X 2POS, 1X 3POS	B	2-2138685-5	1	1	PIN HEADER 12X 2POS, 1X 3POS	PBT-GF15 BASF/ULTRADUR	GREEN
				1	COVER	PA66-GF35 ULTRAMID	NATURAL
CAN MODULE 12X 2POS, 1X 3POS	A	1-2138685-5	1	1	PIN HEADER 12X 2POS, 1X 3POS	PBT-GF15 BASF/ULTRADUR	BROWN
				1	COVER	PA66-GF35 ULTRAMID	NATURAL

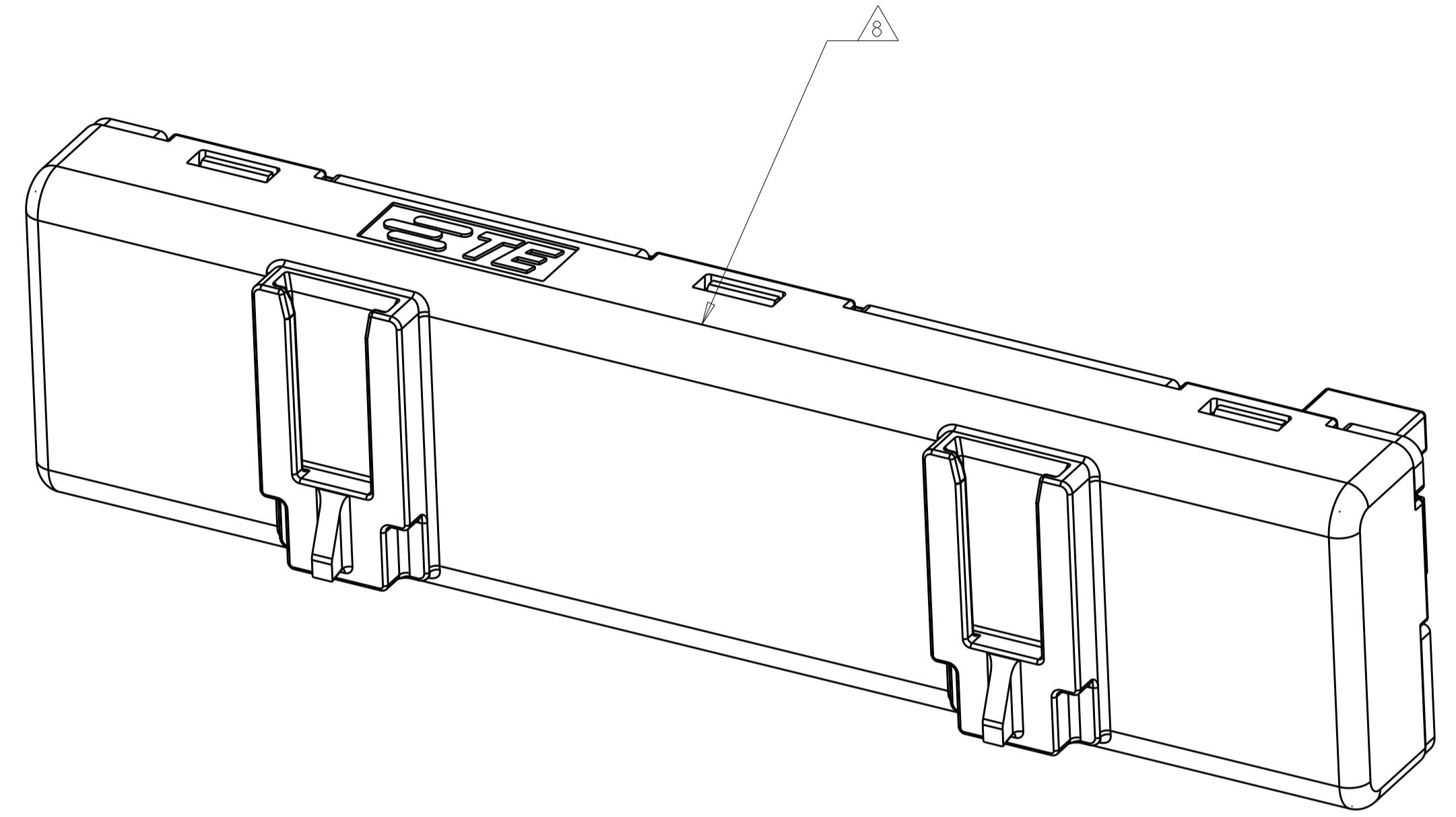
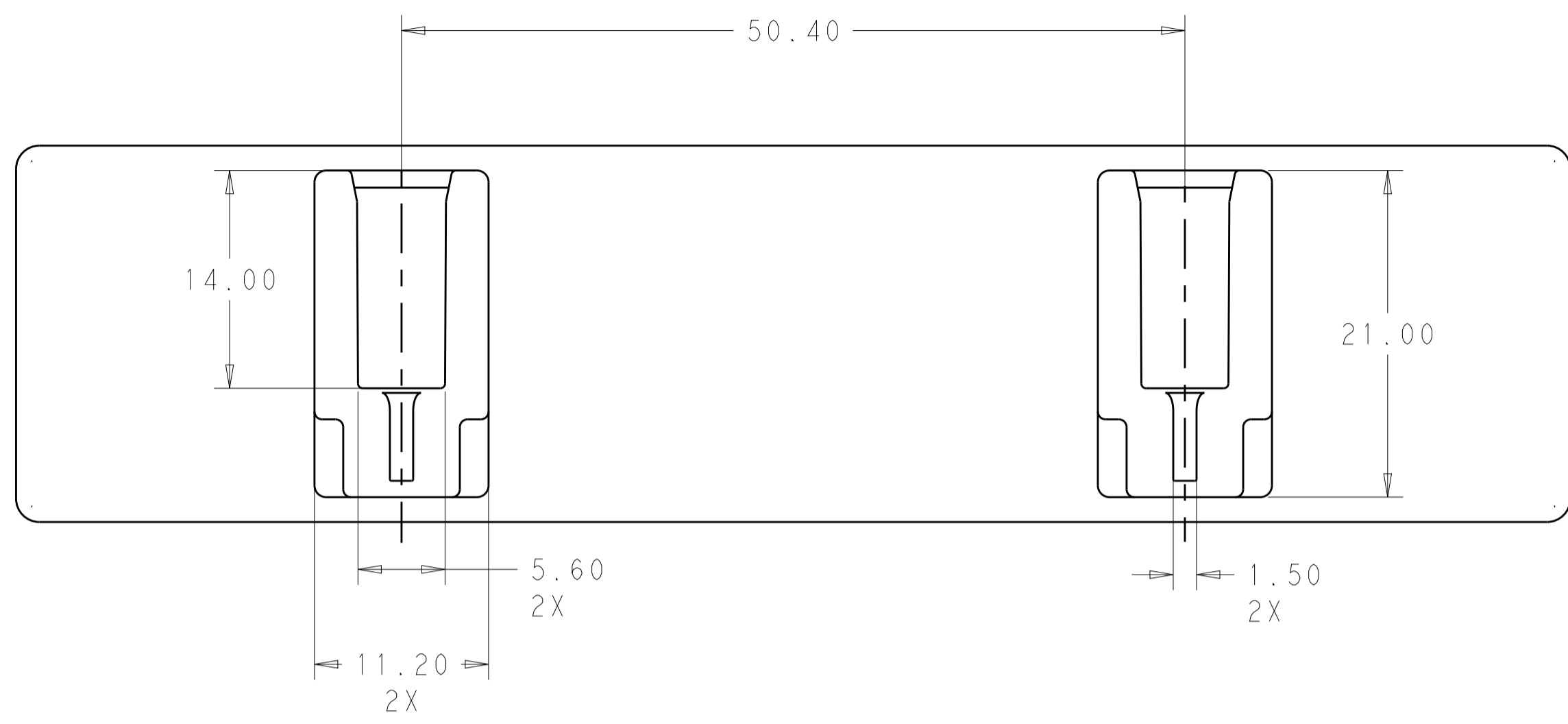
THIS DRAWING IS A CONTROLLED DOCUMENT. OWN: R. SANTOSH, 20CT2011
 CHK: P. ROMAN, 12OCT2011
 APVD: P. ROMAN, 12OCT2011
 PRODUCT SPEC: -
 APPLICATION SPEC: -
 MATERIAL: -
 FINISH: -
 WEIGHT: -
 Customer Drawing

SCALE 1:1 SHEET 1 OF 2 REV B

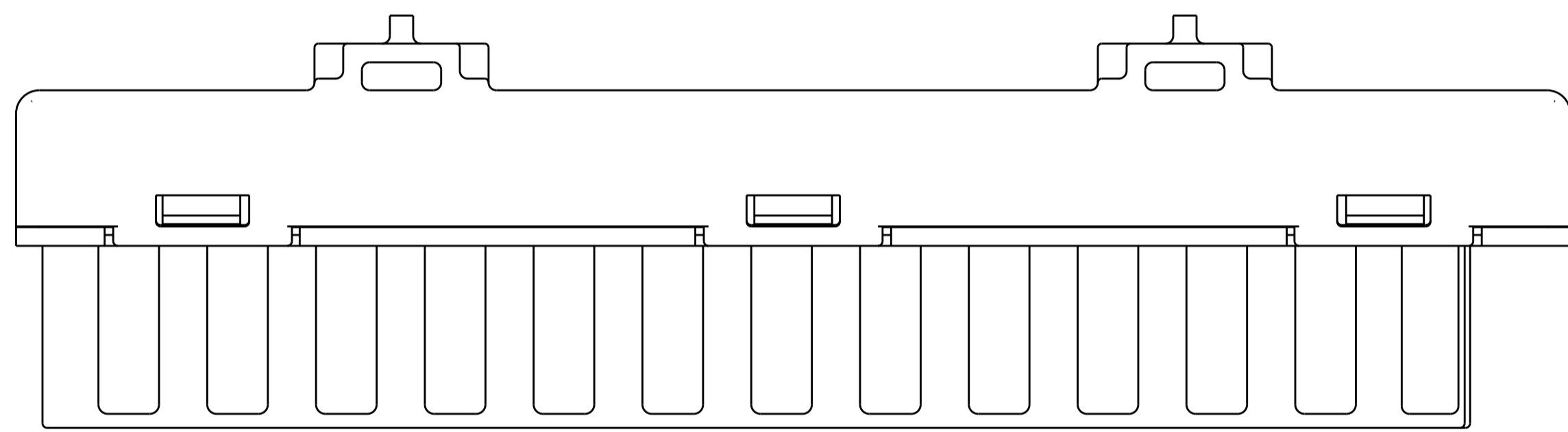
STE TE Connectivity
 CHRYSLER CAN MODULE ASSEMBLY
 13 POCKET (12X 2P, 1X 3P)

SIZE: A1 00779 C=2138685

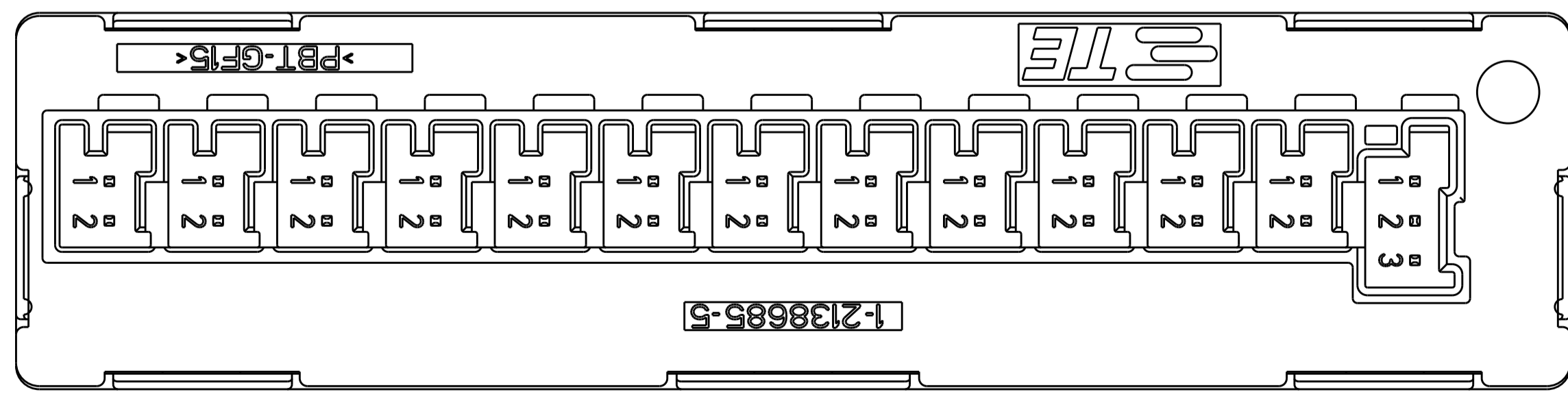
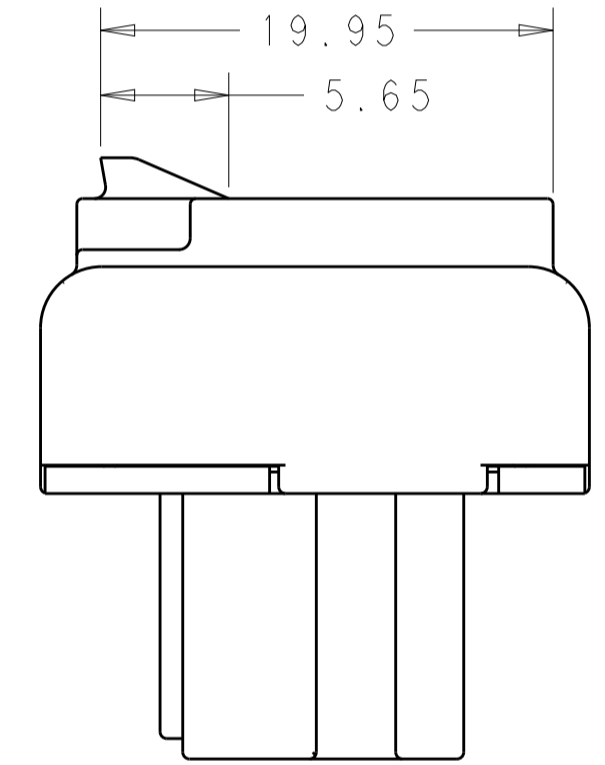
LOC	DIST	REVISIONS			
P	LTN	DESCRIPTION	DATE	DMN	APVD
-	-	SEE SHEET 1	-	-	-



SCALE 3:1



SCALE 3:1



TITLE	KEY	TE P/N	REV	QTY	COMPONENT TITLE	MATERIAL	COLOR
CAN MODULE 12X 2POS, 1X 3POS	E	2138685-4	1	1	PCB	-	-
				1	COVER W/ CLIP SLOTS	PA66-GF35 ULTRAMID	NATURAL
				1	PIN HEADER 12X 2POS, 1X 3POS	PBT-GF15 BASF/ULTRADUR	NATURAL
CAN MODULE 12X 2POS, 1X 3POS	D	2138685-3	1	1	PCB	-	-
				1	COVER W/ CLIP SLOTS	PA66-GF35 ULTRAMID	NATURAL
				1	PIN HEADER 12X 2POS, 1X 3POS	PBT-GF15 BASF/ULTRADUR	BLACK
CAN MODULE 12X 2POS, 1X 3POS	B	2138685-2	1	1	PCB	-	-
				1	COVER W/ CLIP SLOTS	PA66-GF35 ULTRAMID	NATURAL
				1	PIN HEADER 12X 2POS, 1X 3POS	PBT-GF15 BASF/ULTRADUR	GREEN
CAN MODULE 12X 2POS, 1X 3POS	A	2138685-1	1	1	PCB	-	-
				1	COVER W/ CLIP SLOTS	PA66-GF35 ULTRAMID	NATURAL
				1	PIN HEADER 12X 2POS, 1X 3POS	PBT-GF15 BASF/ULTRADUR	BROWN

THIS DRAWING IS A CONTROLLED DOCUMENT.

OWN: R. SANTOSH 12OCT2011
 CHK: P. ROMAN 12OCT2011
 APVD: P. ROMAN 12OCT2011

STE TE Connectivity

NAME: CHRYSLER CAN MODULE ASSEMBLY
 13 POCKET (12X 2P, 1X 3P)

SIZE: CAGE CODE DRAWING NO: A100779
 SCALE: 1:1 SHEET 2 OF 2 REV B

MATERIAL: FINISH: WEIGHT: Customer Drawing

Mouser Electronics

Authorized Distributor

Click to View Pricing, Inventory, Delivery & Lifecycle Information:

[TE Connectivity:](#)

[5-2138685-5](#)