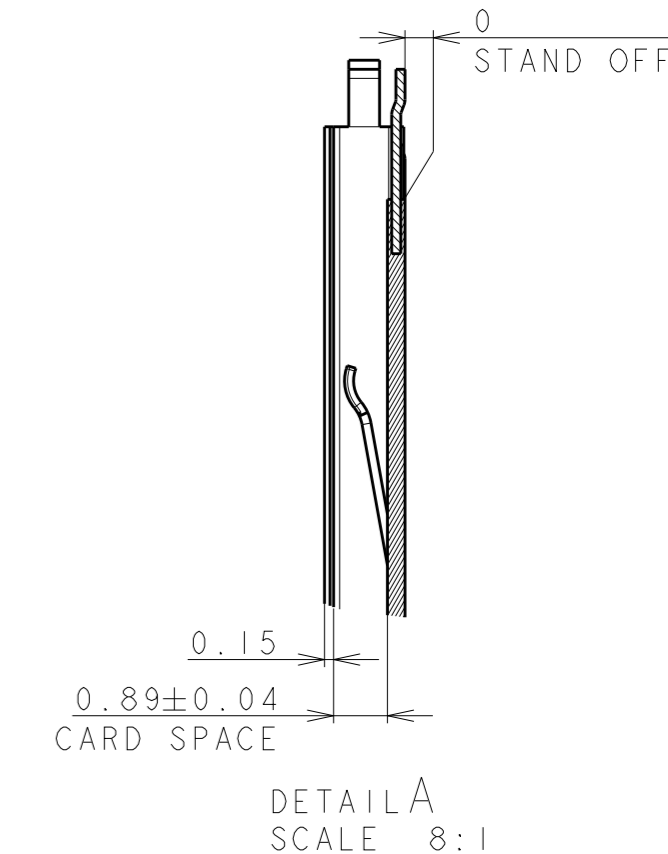
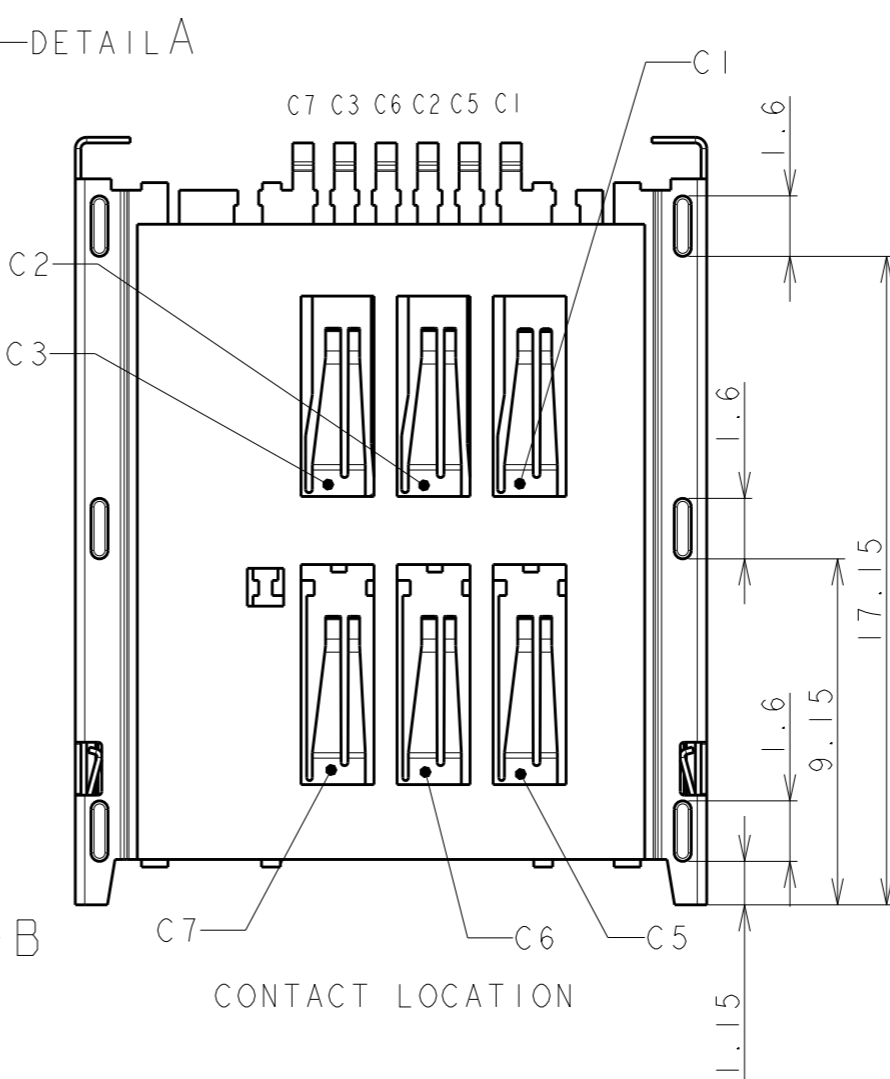
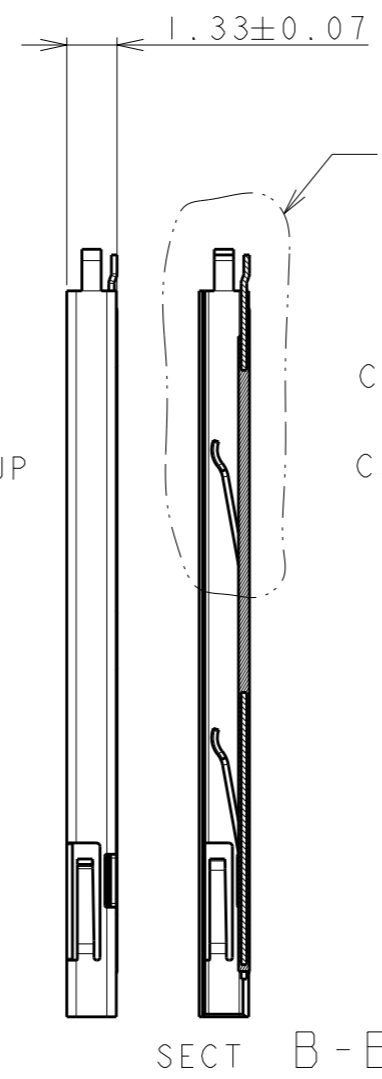
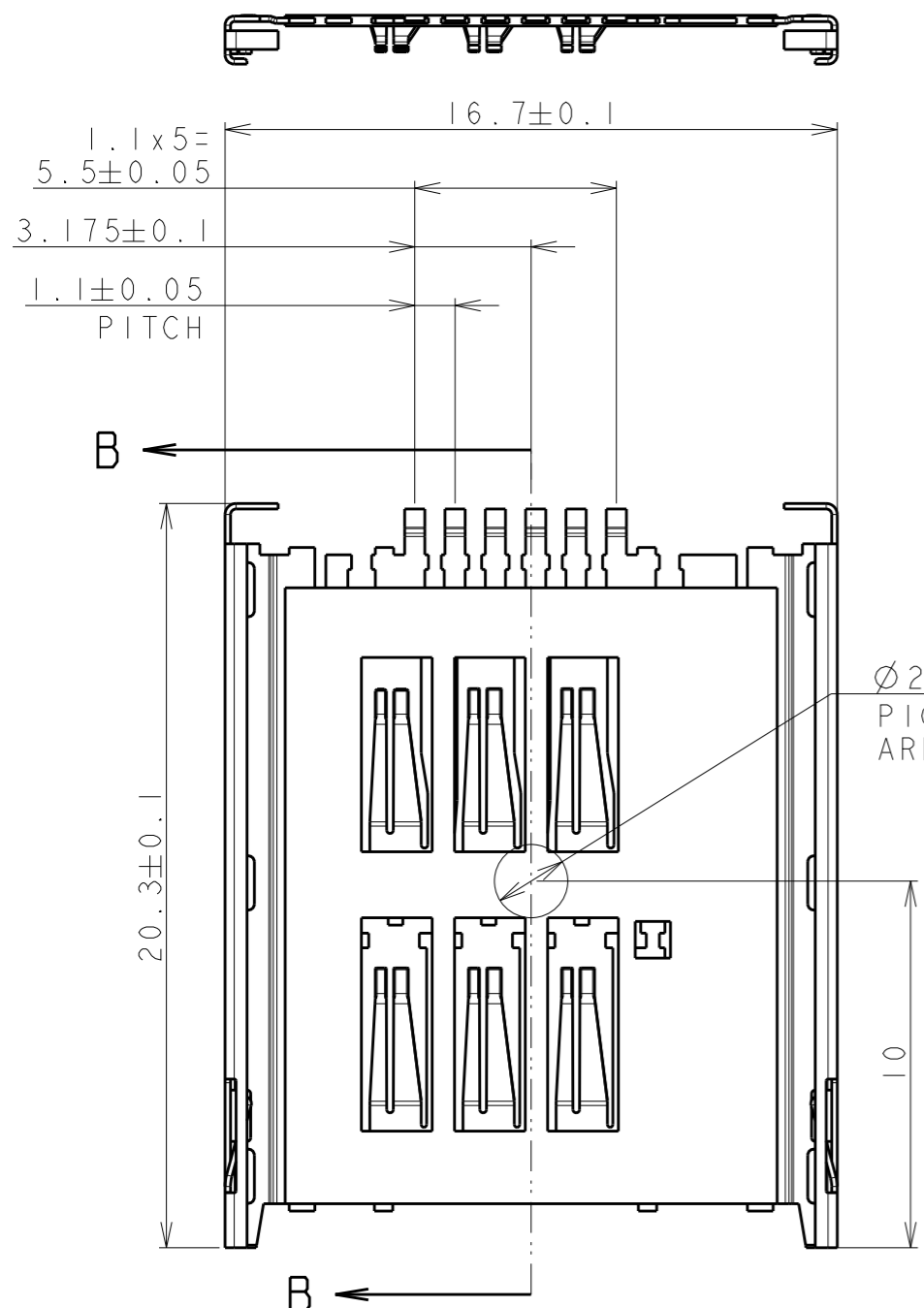


本図面に記載された内容はタイコ エレクトロニクス アンプ(株)の所有する情報を開示してあります。無断で複写・配布する事を禁じます。特許出願中

REVISIONS

P	LTR	DESCRIPTION	DATE	DWN	APVD
	B	REVISED	14OCT2015	M.T	K.K

AS SHOWN : - 1




△ MATERIAL
ELEMENT : COPPER ALLOY
TRAY, GUIDE : STAINLESS
HOUSING : HIGH TEMPERATURE THERMO PLASTIC
UL94V-0 BLACK

△ FINISH
ELEMENT : CONTACT POINT; 0.4umMIN. Au
SOLDERING TINE SURFACE Au FLASH PLATE,
ALL OVER NICKEL PLATE 0.13umMIN.
ADD SEALING

3 COPLANARITY; 0.08MAX.

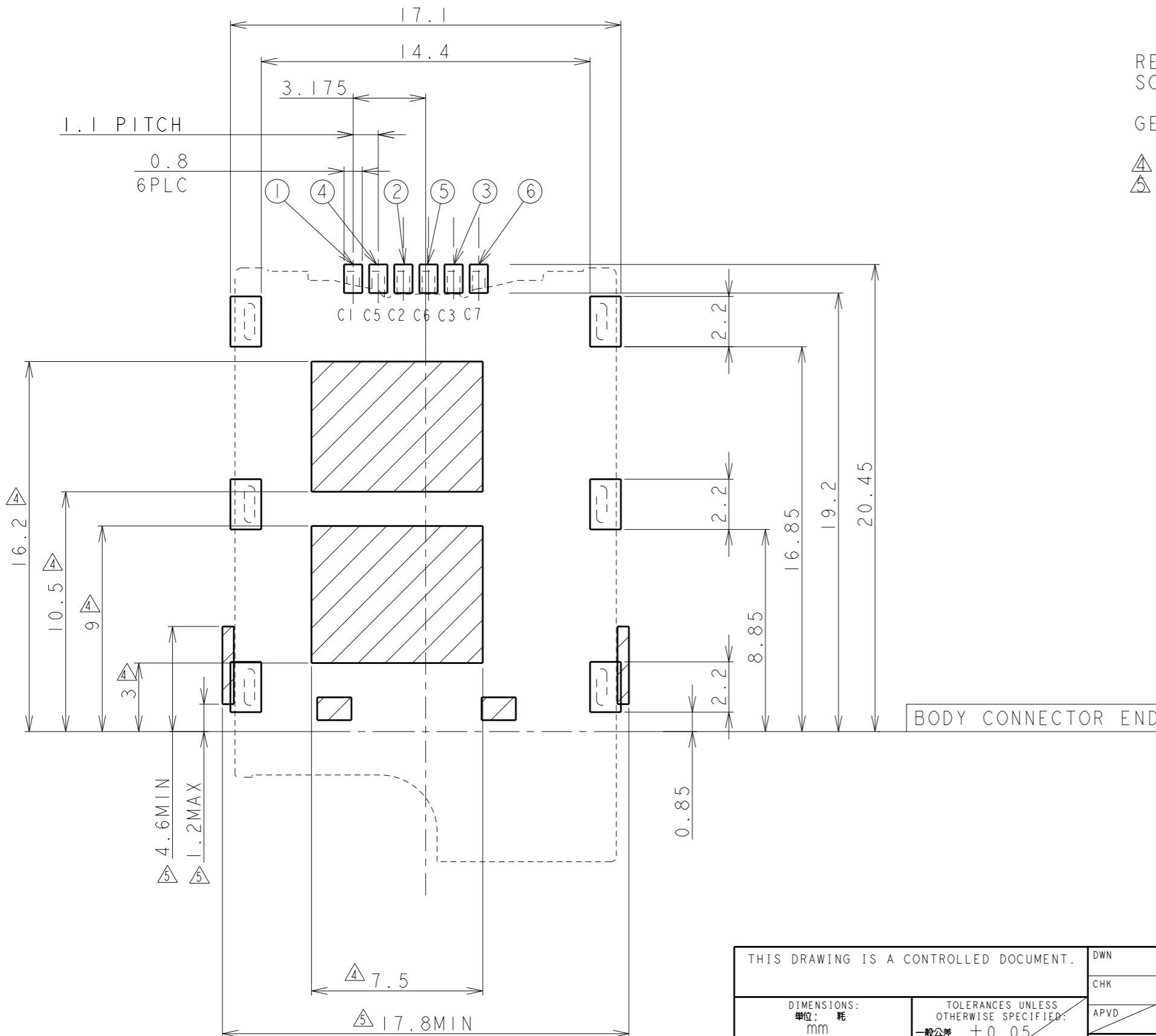
CAUTION; THERE IS A POSSIBILITY THAT NORMAL FORCE CHANGES ACCORDING TO THE PCB MATERIAL AND THICKNESS, ETC. PLEASE HANDLE IT WITH CARE.
当コネクタを実装する基板材質・厚さ等によって接圧変動する可能性がありますので、取り扱いに十分な注意をお願い致します。

THIS DRAWING IS A CONTROLLED DOCUMENT.		DWN 17JUN2010 C.OHASHI		 TE Connectivity	
DIMENSIONS: 単位: ㎜		CHK 17JUN2010 Y.NAKAZAWA			
TOLERANCES UNLESS OTHERWISE SPECIFIED: 一般公差 ±0.15		APVD 17JUN2010 Y.NAKAZAWA		TS14-RVS DOUBLE CONTACT BODY ASSY	
0 PLC ± 1 PLC ± 2 PLC ± 3 PLC ± 4 PLC ± ANGLES ±3°		PRODUCT SPEC 製品規格 108-78668		SIZE A3	
MATERIAL 材料 SEE NOTE △		APPLICATION SPEC 取付適用規格		CAGE CODE 00779	
FINISH 仕上 SEE NOTE △		WEIGHT 0.37g		DRAWING NO C=2134034	
		Customer Drawing		RESTRICTED TO	
		SCALE 尺度 5:1		SHEET 1 OF 4	
				REV B	

THIS DRAWING IS UNPUBLISHED. RELEASED FOR PUBLICATION 20
 © COPYRIGHT 20 BY TYCO ELECTRONICS CORPORATION. ALL RIGHTS RESERVED.

REVISIONS
変更

P	LTR	DESCRIPTION	DATE	DWN	APVD



REFERENCE PCB LAYOUT
 SCALE 5:1

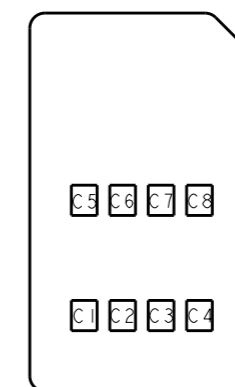
GENERAL TOLERANCE; ±0.05

△ HATCHING AREA; FORBIDDEN AREA OF PATTERN
 △ NO PARTS LOCATED IN THIS AREA

CONNECTOR PIN ASSIGNMENT

NO.	PIN NAME	DESCRIPTION
①	C1	Vcc OF SIM
②	C2	RST OF SIM
③	C3	CLK OF SIM
④	C5	GND OF SIM
⑤	C6	Vpp OF SIM
⑥	C7	I/O OF SIM

SIM CARD PIN ASSIGNMENT



PIN NO.	NAME
C1	Vcc
C2	RST
C3	CLK
C4	RESERVED
C5	GND
C6	Vpp
C7	I/O
C8	RESERVED

SCALE 2:1

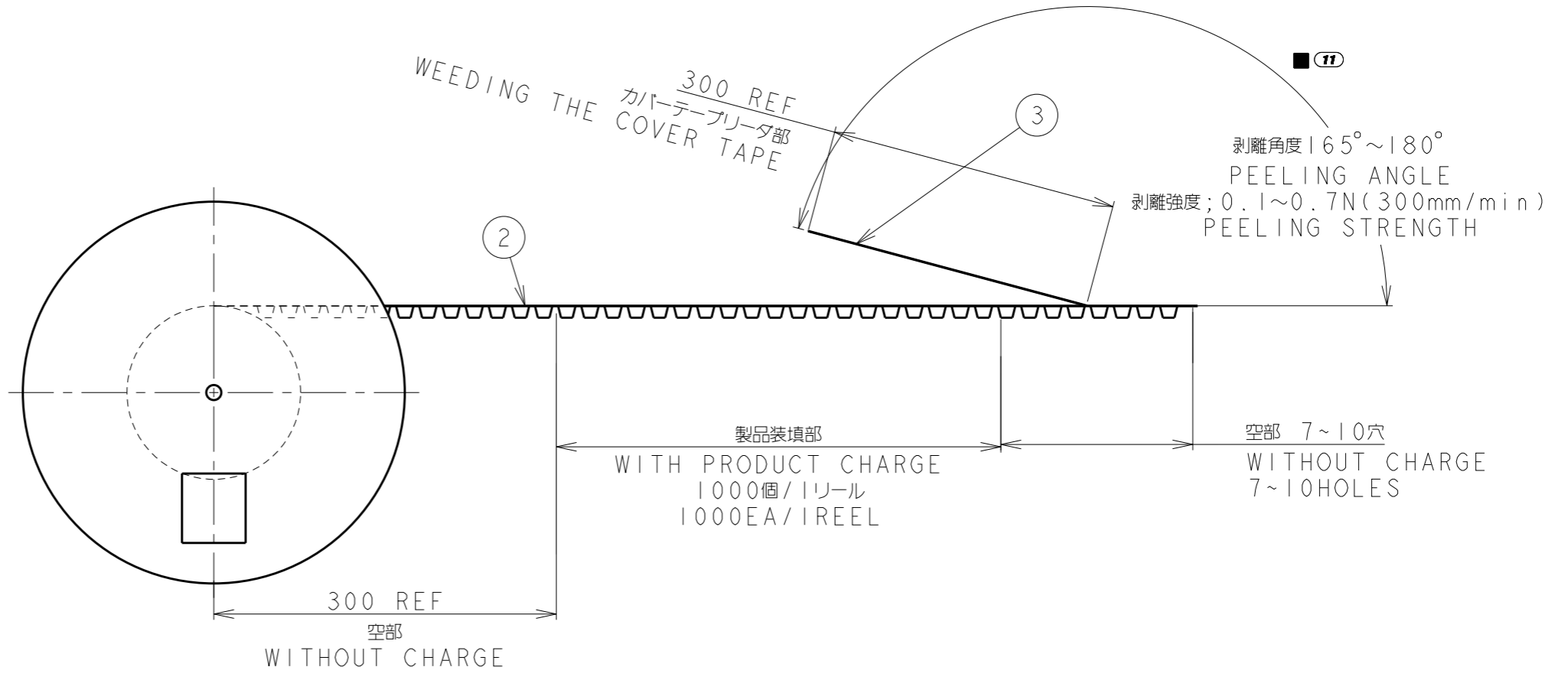
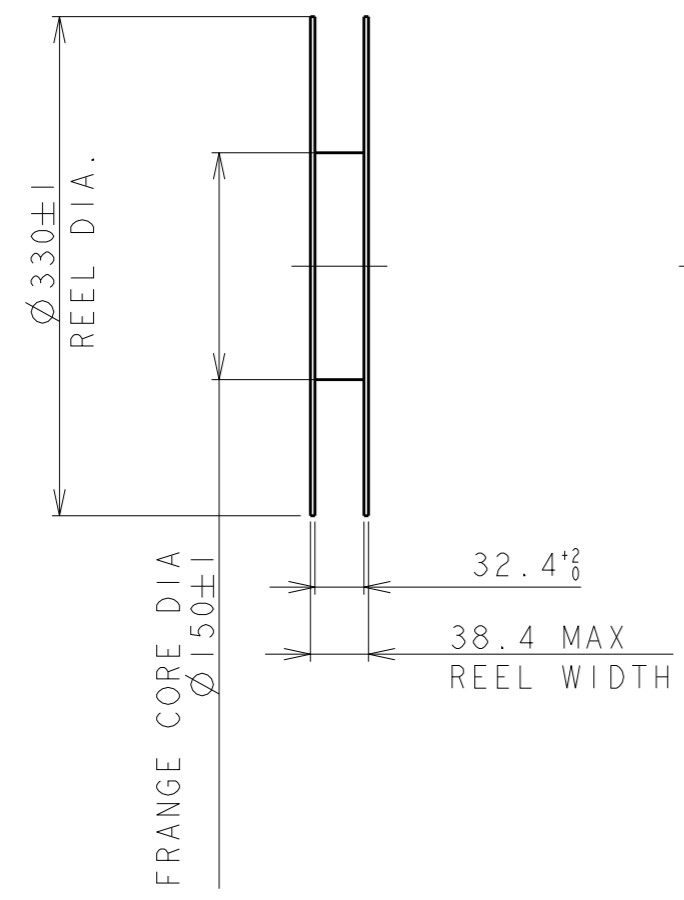
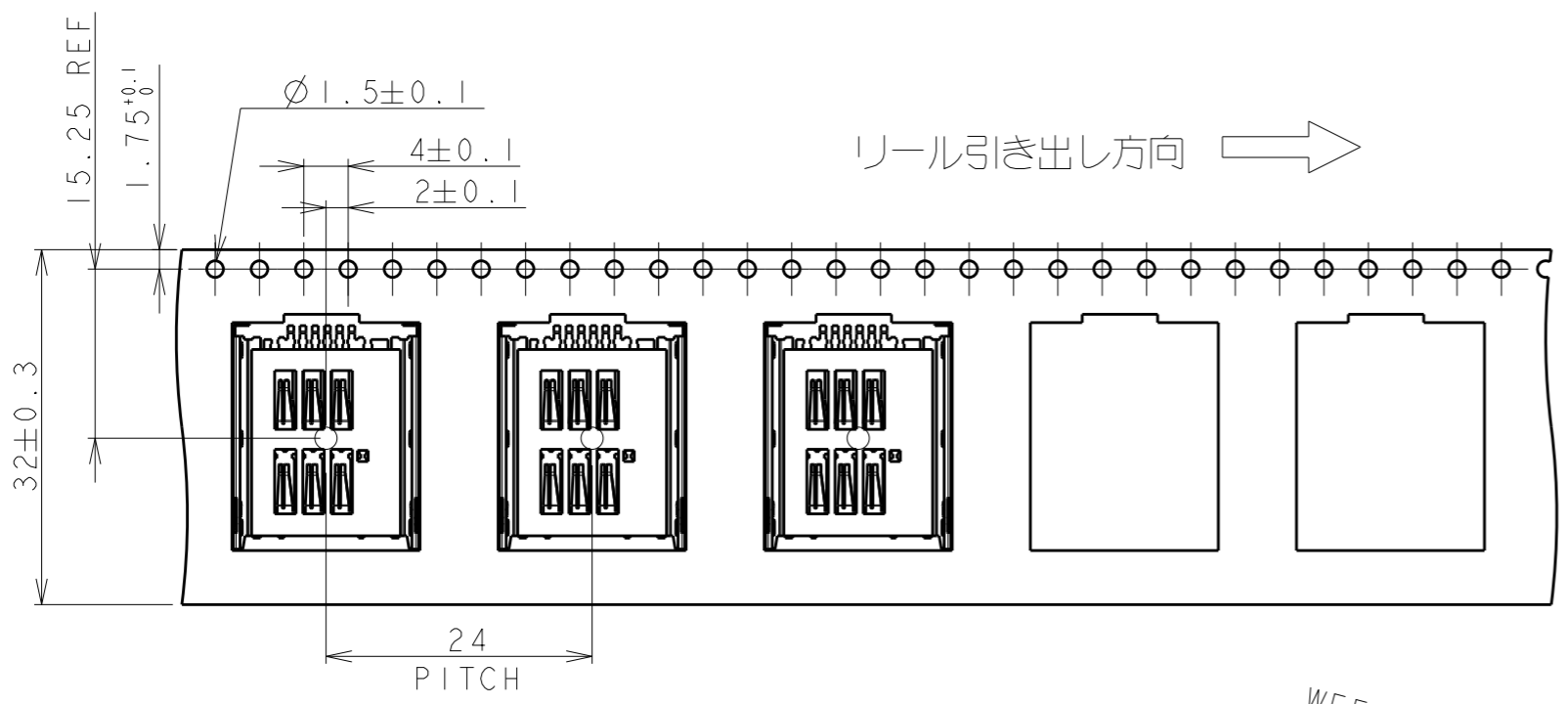
SIM CARD PAD LAYOUT

本図面に記載された内容はタイコ エレクトロニクス アンプ(株)の所有する情報を開示しております。
 無断で複写・配布する事を禁じます。 特許出願中

THIS DRAWING IS A CONTROLLED DOCUMENT.		DWN	TE Connectivity	
DIMENSIONS: 単位: 耗 mm		CHK		
TOLERANCES UNLESS OTHERWISE SPECIFIED: 一般公差 ±0.05		APVD	NAME 名称	
0 PLC ±		PRODUCT SPEC 製品規格	TS14-RVS DOUBLE CONTACT BODY ASSY	
1 PLC ±		APPLICATION SPEC 取付適用規格	SIZE	RESTRICTED TO
2 PLC ±		WEIGHT	A300779	C=2134034
3 PLC ±		Customer Drawing	CAGE CODE	
4 PLC ±		SCALE 尺度	DRAWING NO 番号	SHEET
ANGLES ±		5:1	2 OF 4	REV
FINISH 仕上		Customer Drawing	SCALE 尺度	B

THIS DRAWING IS UNPUBLISHED. RELEASED FOR PUBLICATION 20
 © COPYRIGHT 20 BY TYCO ELECTRONICS CORPORATION. ALL RIGHTS RESERVED.

REVISIONS				
P	LTR	DESCRIPTION	DATE	APVD



AS SHOWN : - 1

THIS DRAWING IS A CONTROLLED DOCUMENT.		DWN	STE TE Connectivity	
DIMENSIONS: □□: □ mm		CHK		
TOLERANCES UNLESS OTHERWISE SPECIFIED: □□□□ ± 0.15		APVD	NAME □□	
0 PLC ±		PRODUCT SPEC	TS14-RVS DOUBLE CONTACT BODY ASSY	
1 PLC ±		APPLICATION SPEC	SIZE	RESTRICTED TO
2 PLC ±		WEIGHT	A300779	C=2134034
3 PLC ±		Customer Drawing		
4 PLC ±		SCALE	SHEET	REV
ANGLES ±		□□ NTS	3 OF 4	B
FINISH □□		Customer Drawing		

THIS DRAWING IS UNPUBLISHED.

RELEASED FOR PUBLICATION

20

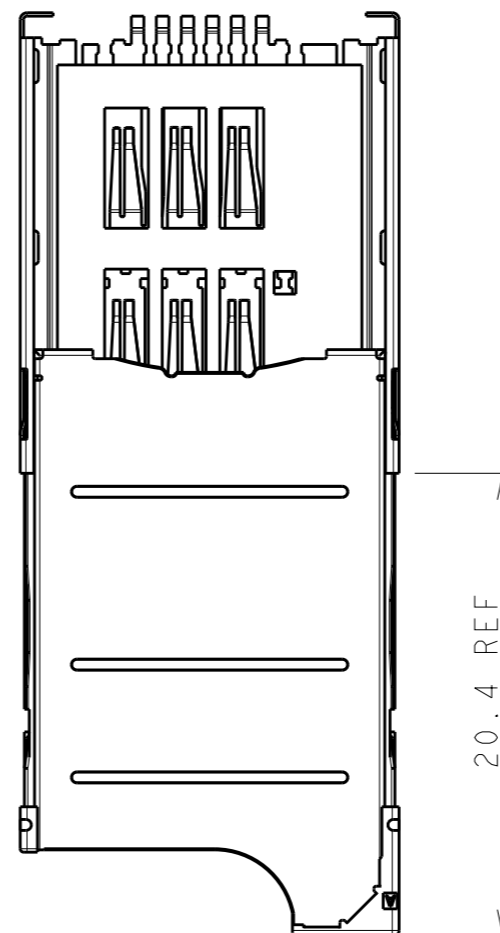
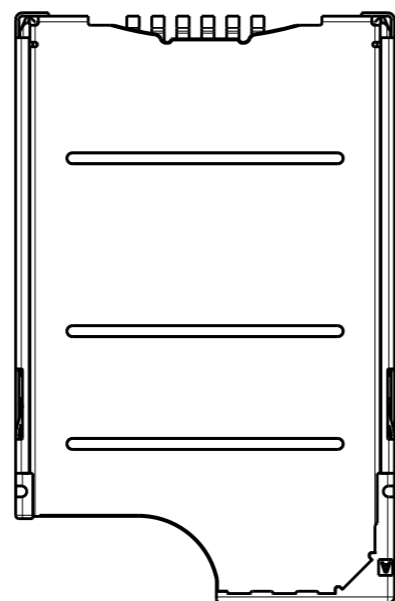
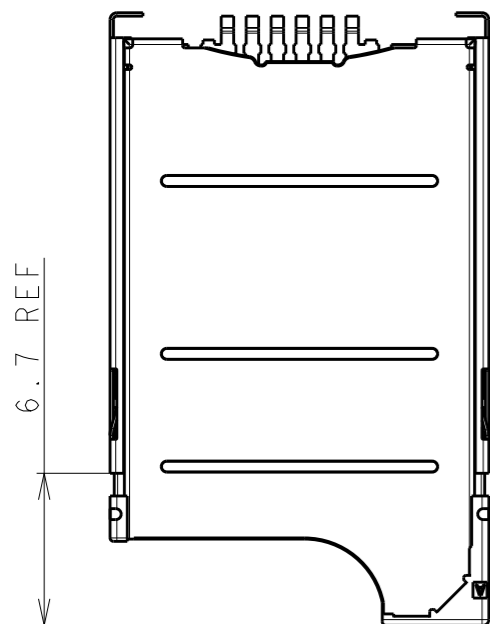
© COPYRIGHT 20 BY TYCO ELECTRONICS CORPORATION. ALL RIGHTS RESERVED.

REVISIONS

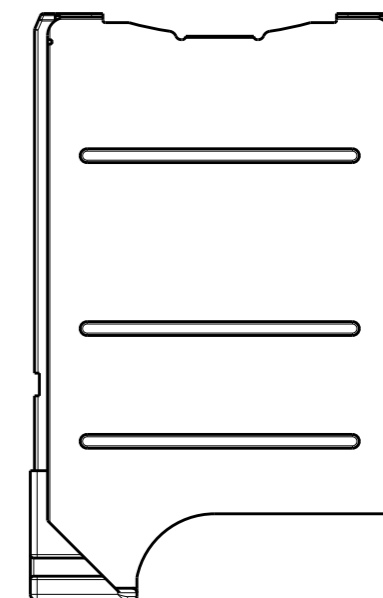
変更

P	LTR	DESCRIPTION	DATE	DWN	APVD

本図面に記載された内容はタイコ エレクトロニクス アンプ(株)の所有する情報を開示しております。
 無断で複写・配布する事を禁じます。 特許出願中



METAL TRAY
 P/N; 2134033-1



PAI COAT AREA
 PAIコート材範囲

POSITION IN WHICH CONTACT
 DEVIATE FROM SIM PAD
 コンタクトがSIMカードPADを外れる位置

NOMINAL POSITION
 通常使用時

TRAY EJECT POSITION
 TARY引き出し位置

THIS DRAWING IS A CONTROLLED DOCUMENT.		DWN	STE TE Connectivity	
DIMENSIONS: 単位: 耗 mm		CHK		
TOLERANCES UNLESS OTHERWISE SPECIFIED: 一般公差 ±0.15		APVD	NAME 名称	
0 PLC ±		PRODUCT SPEC 製品規格	TS14-RVS DOUBLE CONTACT BODY ASSY	
1 PLC ±		APPLICATION SPEC 取付適用規格	SIZE	RESTRICTED TO
2 PLC ±		WEIGHT	A300779	REV B
3 PLC ±		Customer Drawing	CAGE CODE	SCALE
4 PLC ±			G=2134034	尺度 3:1
ANGLES ±			DRAWING NO	SHEET 4 OF 4
FINISH 仕上				

Mouser Electronics

Authorized Distributor

Click to View Pricing, Inventory, Delivery & Lifecycle Information:

[TE Connectivity:](#)

[2134034-1](#)