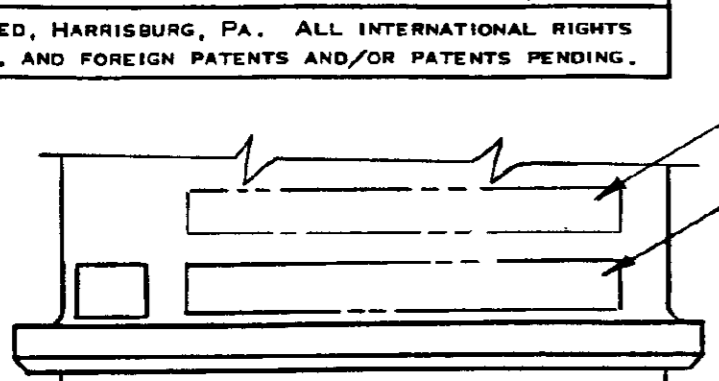


DRAWING MADE IN THIRD ANGLE PROJECTION

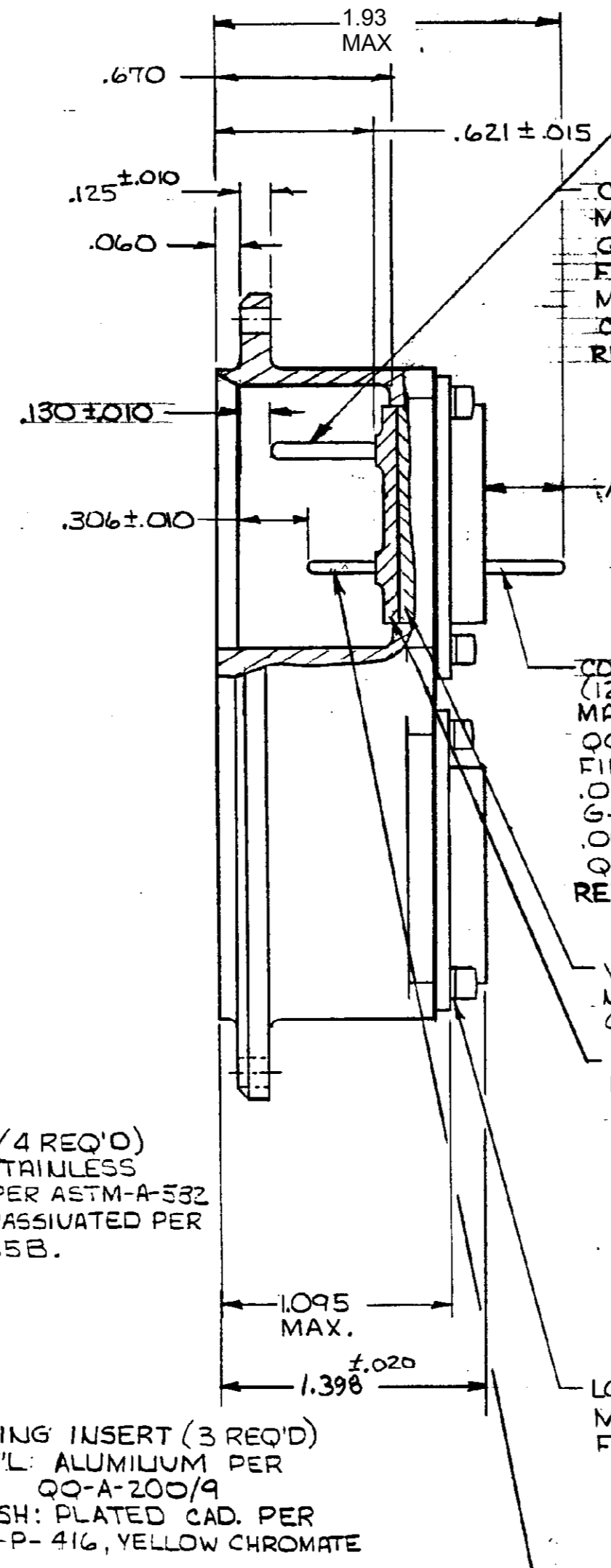
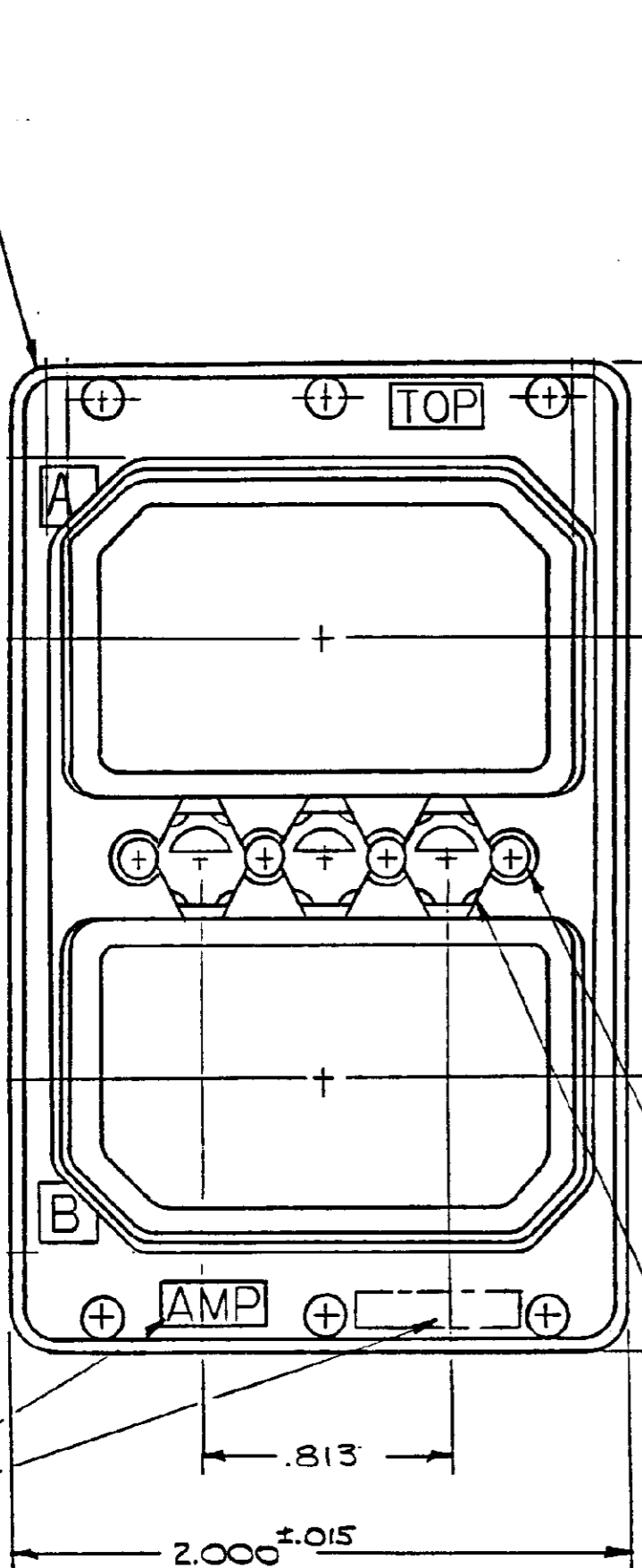
THIS DRAWING IS UNPUBLISHED. RELEASED FOR PUBLICATION  
 © COPYRIGHT 19 BY AMP INCORPORATED, HARRISBURG, PA. ALL INTERNATIONAL RIGHTS RESERVED. AMP PRODUCTS MAY BE COVERED BY U.S. AND FOREIGN PATENTS AND/OR PATENTS PENDING.

5048 LOC DIST  
 DT AO

REVISIONS				
REV	ZONE/LTR	DESCRIPTION	DATE	APPROVED
✓	O	RELEASED	10/23/84	R6 UB
✓	A	REV. PER ECN R-132B	8/19/85	BDY AB
✓	B	REV# ADDED -2f-3 DF-0621	5-18-88	LJA
✓	C	REV PER 0600-3325-94	1-31-95	RLG
	D	REV PER ECO 13-006359	5-1-13	DB
	E	REV PER ECO 15-008963	29JUN15	CT
	F	REV PER ECO-15-011840	18NOV15	CT



SHELL  
 MAT'L: DIE CAST ALUMINUM ALLOY PER QQ-A-591  
 FINISH: BLACK ANODIZE PER MIL-A-8625.



SIZE #16 CONTACT, .032 Ø POST x .375 POST PROJECTION (-3 ONLY), 6 REQ'D  
 MAT'L: COPPER ALLOY PER QQ-C-576  
 FINISH: PLATED Au .000050 MIN THK PER MIL-G-45204  
 OVER NICKEL .000050 MIN THK PER QQ-N-290  
 REPLACEMENT NO. 445339-2

CONTACT (6 REQ'D) (-1f-2 ONLY)  
 MAT'L: COPPER ALLOY PER QQ-C-576  
 FINISH: PLATED GOLD .000050 MIN THK PER MIL-G-45204  
 OVER COPPER FLASH PER MIL-C-14550.  
 REPLACEMENT PART NO. 203884-2

CONTACT W/.025 SQ. POST (-1f-2 ONLY) (128 REQ'D)  
 MAT'L: COPPER ALLOY PER QQ-B-626  
 FINISH: PLATED GOLD .000050 MIN THK PER MIL-G-45204 OVER NICKEL .000050 MIN THK PER QQ-N-290.  
 REPLACEMENT PART NO. 212446-6

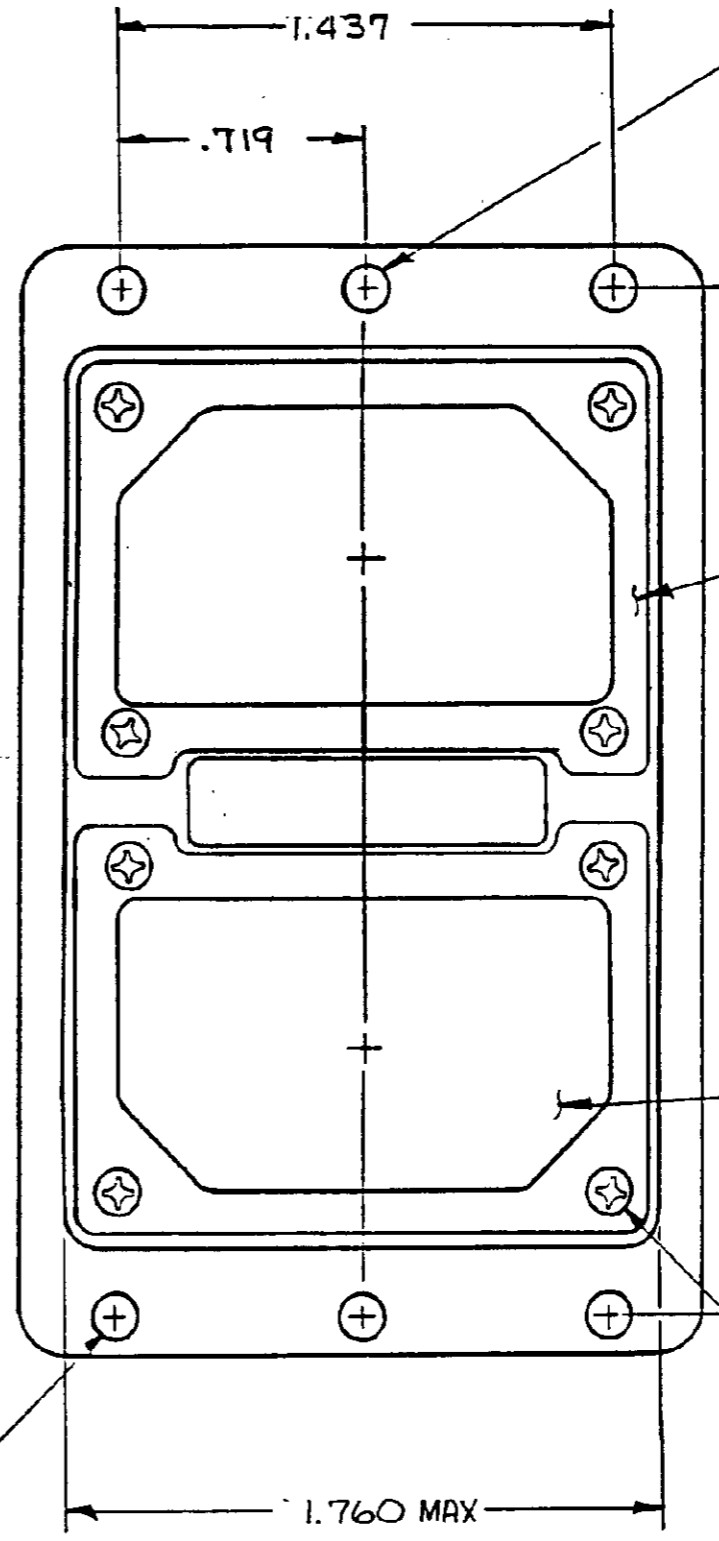
WAFER ASSY (2 REQ'D)  
 MAT'L: THERMOSET COLOR BLACK  
 INSERT, FRONT (2 REQ'D)  
 MAT'L: SILICONE RUBBER COLOR: RED

SCREW (4 REQ'D)  
 MAT'L: STAINLESS STEEL PER ASTM-A-532  
 FINISH: PASSIVATED PER QQ-P-35B.

KEYING INSERT (3 REQ'D)  
 MAT'L: ALUMINUM PER QQ-A-200/9  
 FINISH: PLATED CAD. PER QQ-P-416, YELLOW CHROMATE

LOCKWASHER (8 REQ'D)  
 MAT'L: STAINLESS STEEL  
 FINISH: PASSIVATED

SIZE 20 CONTACT, .032 Ø POST x .375 POST PROJECTION (-3 ONLY) 128 REQ'D  
 MAT'L: COPPER ALLOY PER QQ-C-576  
 FINISH: PLATED Au .000050 MIN THK PER MIL-G-45204  
 OVER NICKEL .000050 MIN THK PER QQ-N-290  
 REPLACEMENT NO. 445340-2



RETAINER PLATE (2 REQ'D)  
 MAT'L: ALUMINUM ALLOY PER QQ-A-250/8  
 FINISH: BLACK ANODIZE PER MIL-A-8625.

GROMMET (2 REQ'D)  
 MAT'L: SILICONE RUBBER  
 COLOR: RED

SCREW (8 REQ'D)  
 MAT'L: STAINLESS STEEL  
 FINISH: PASSIVATED

- CONTACT SHOWN IN POSITION FOR ILLUSTRATION ONLY. FOR SHIPMENT, CONTACTS ARE INCLUDED IN A CONTAINER WITHIN THE CONNECTOR PACKAGE.
- CONTACTS ARE ASSEMBLED IN POSITION FOR SHIPMENT.
- CONNECTOR MEETS AMP SPEC. 108-10,019.

OBSOLETE	.500 ± .015	SAME AS -1 EXCEPT KEYING IN "53" POSN	212754-4
OBSOLETE	.375 ± .015	SAME AS -1 EXCEPT .032 Ø x .375 POSTS	212754-3
OBSOLETE	.500 ± .015	SAME AS -1 EXCEPT KEYING IN "72" POSN	212754-2
OBSOLETE	.500 ± .015	AS SHOWN	212754-1

UNLESS OTHERWISE SPECIFIED DIMENSIONS ARE IN INCHES. TOLERANCES ON: DECIMALS ± .005 ANGLES ±		CONTRACT NO 10/23/84	TE Connectivity	
DR R. Grzybowski		CHK J. Boullianne	NAME CONNECTOR ASSEMBLY, DUAL RECEPTACLE, (AMS 2 R67P67P-6001)	
MATERIAL SEE CALLOUT		APPD J. Boullianne	SIZE D	FSCM NO 00779
FINISH SEE CALLOUT		DSGN APPD OTHER APPD	DRAWING NO 212754	REV F
SCALE N.T.S.		SHEET 1 of 1		CUSTOMER DRAWING

# Mouser Electronics

Authorized Distributor

Click to View Pricing, Inventory, Delivery & Lifecycle Information:

[TE Connectivity:](#)

[212754-2](#)