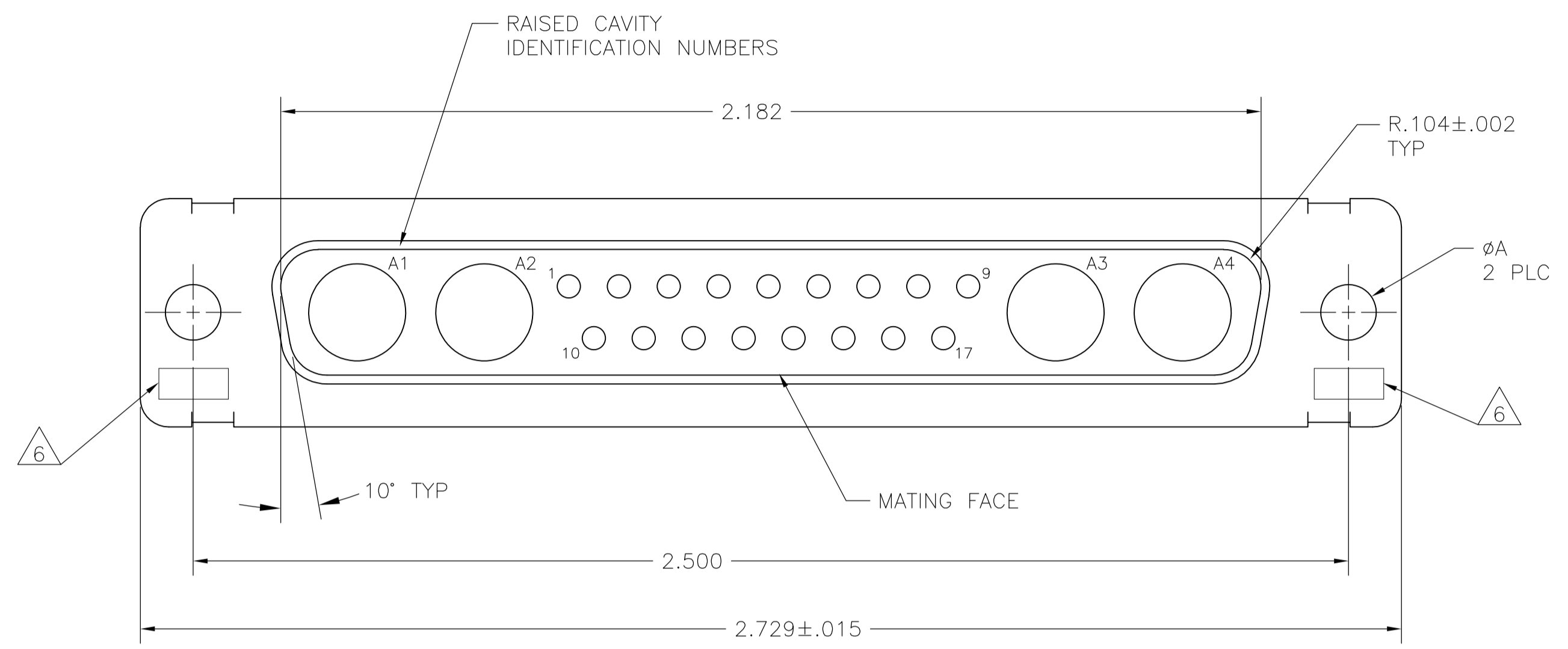
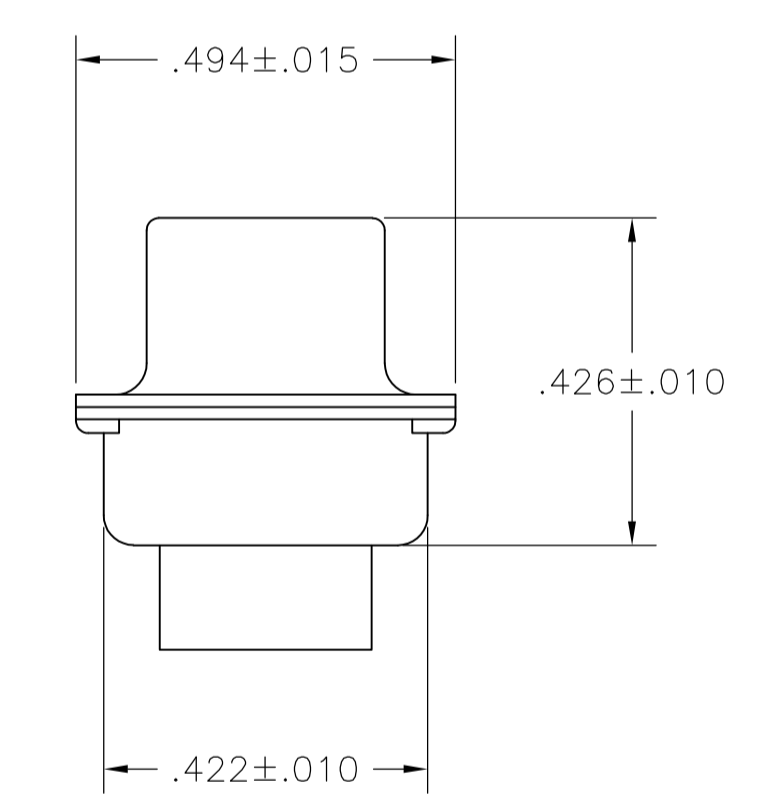
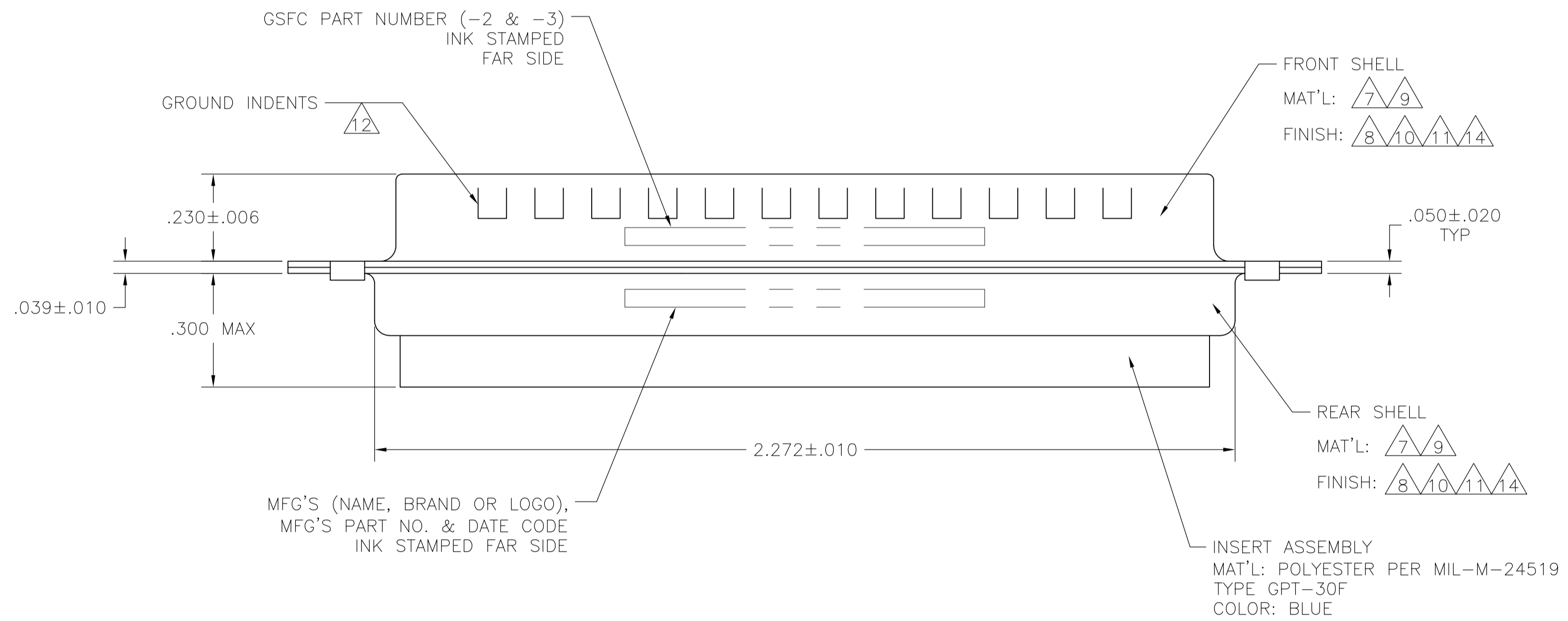


REVISONS		DATE	DWN	APVD
P	LTR	DESCRIPTION		
S		REV PER ECO-15-016251	13NOV15	KG CD

- THIS PLUG WILL MATE WITH ANY 21C4, SIZE 4 RECEPTACLE IN AMPLIMITE SERIES.
- MAXIMUM WIRE INSULATION TO BE USED WITH THIS PLUG IS $\phi.072$.
- RETENTION CLIPS (17) ARE INCLUDED IN INSERT ASSEMBLY.
- THIS CONNECTOR ACCEPTS SIZE 20 PIN CONTACTS, NOT PROVIDED, IN CAVITIES 1 THRU 17.
- CAVITIES A1 THRU A4 ACCEPTS SIZE 8 POWER OR COAX PIN CONTACTS, NOT PROVIDED. RIGHT ANGLE COAX CONTACTS WILL NOT SEAT IN THIS CONNECTOR.



- 6 UL/CSA DESIGNATION STAMPED IN THIS AREA, OPTIONAL.
- 7 MATERIAL: STEEL PER ASTM-A-109.
- 8 FINISH: CADMIUM PLATED PER QQ-P-416, TYPE II, CLASS 2.
- 9 MATERIAL: BRASS PER ASTM-B-36.
- 10 FINISH: GOLD PER MIL-G-45204, TYPE II, GRADE C, CLASS 1 OVER COPPER PER MIL-C-14550, CLASS IV.
- 11 FINISH: TIN PER ASTM-B-545 .000400 MIN THK OVER COPPER PER AMS2418 .000050 MIN THK.
- 12 GROUNDING INDENTS FOR 212530-4, 212530-5, & 5-212530-4 ONLY.
- 13 212530-6 IS OBSOLETE.
- 14 FINISH: ZINC PLATE PER ASTM-B-633 .000200-.000400 THK WITH SUPPLEMENTARY CHROMATE (Cr3+).



7 12 11	.120	-	5-212530-4
7 14	.120	-	5-212530-1
7 11	.120	-	212530-6
7 12 11	.120	-	212530-5
7 11 12	.120	-	212530-4
9 10	.154	311P405-18P-B-15	212530-3
9 10	.120	311P405-18P-B-12	212530-2
7 8	.120	-	212530-1
REMARKS	ϕA	GSFC P/N	PART NO.

THIS DRAWING IS A CONTROLLED DOCUMENT.

DIMENSIONS: INCHES
 TOLERANCES UNLESS OTHERWISE SPECIFIED:
 0 PLC ± -
 1 PLC ± -
 2 PLC ± -
 3 PLC ± .005(0.13)
 4 PLC ± -
 ANGLES ± 0'30"

MATERIAL: -
 FINISH: -

THIS DRAWING IS A CONTROLLED DOCUMENT.
 C.C. THOMAS 21-JAN-89
 CJK 27-JAN-88
 A. EMADI
 A. EMADI 27-JAN-88
 NAME: PLUG ASSEMBLY
 PRODUCT SPEC: AMPLIMITE 21C4
 APPLICATION SPEC: SIZE 4, SERIES 109, COAX MIX
 SIZE: A1
 CAGE CODE: 00779
 DRAWING NO: 212530
 WEIGHT: -
 CUSTOMER DRAWING: -
 SCALE: 4:1
 SHEET: 1 OF 1
 REV: S

STE TE Connectivity

Mouser Electronics

Authorized Distributor

Click to View Pricing, Inventory, Delivery & Lifecycle Information:

[TE Connectivity:](#)

[212530-4](#)